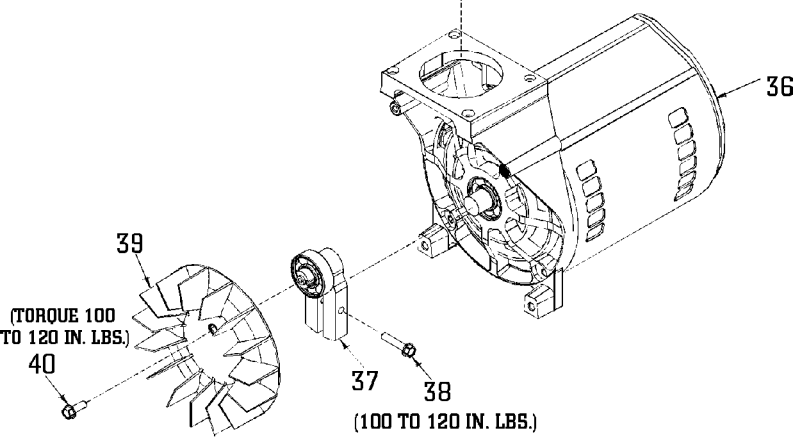
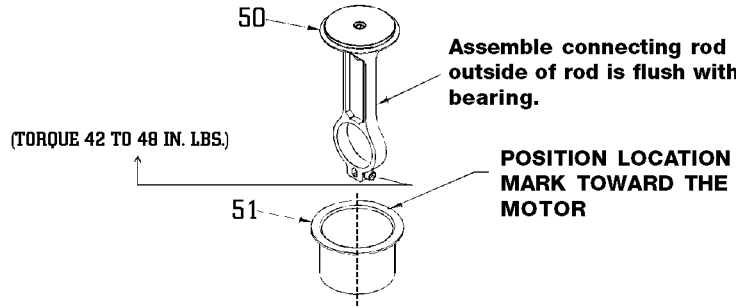
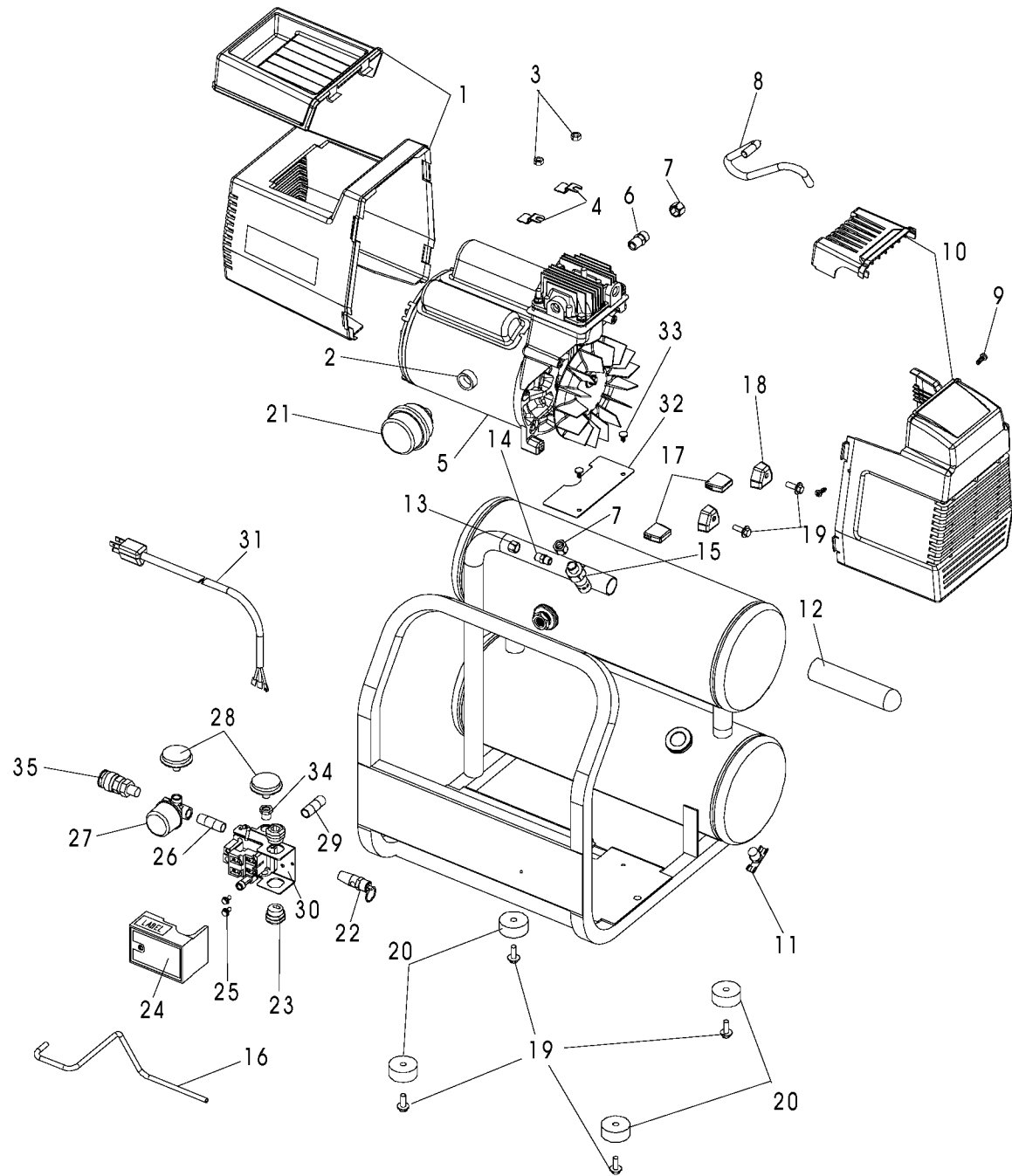


Assemble connecting rod so that the outside of rod is flush with outside of bearing.





Parts List for SDSC2E4STD Type 0

Item Number	Part Number	Description	Qty Required
1	000000-00	No Longer Available	1
2	000000-00	No Longer Available	1
3	038738-00	NUT	1
4	CAC-1121	BRACKET SHROUD	1
5	000000-00	No Longer Available	1
6	SSP-6050	CONNECTOR MALE 1/4NP	1
7	SSP-7813	ASSY NUT SLEEVE 3/8	1
8	AC-0241-1	TUBE OUTLET .375OD C	1
9	SSF-3156	SCREW #10-9X.500 THD	2
10	000000-00	No Longer Available	1
11	N286039	DRAIN VALVE	1
12	AC-0261	GRIP HANDLE 1.00 TUB	1
13	SSP-7811	ASSY NUT SLEEVE 1/4	2
14	SS-8553	CONNECTOR BODY	1
15	A19711	VALVE CHECK 1/2NPT X	1
16	AC-0201-1	TUBE PRES REL .250OD	1
17	ACG-19	ISOLATOR 3 POINT MOU	3
18	ACG-18	CUP SADDLE MOUNT	2
19	91895680	SCREW .250-20X.750 H	6
20	SST-5314-1	BUMPER RECESS RUBBER	4
21	AC-0277	MUFFLER PLASTIC THRE	1
22	TIA-4150	VALVE SAFETY 150 .25	1
23	33821-00	BUSHING	2
23	438010040063	HEYCO BUSHINGS	1
24	AC-0557	COVER PRES SWITCH	1
25	SUDL-9-1	SCREW #8-32X.375/.34	1
26	N053094	NIPPLE	1

Parts List for SDSC2E4STD Type 0

Item Number	Part Number	Description	Qty Required
27	DAC-180	REGULATOR 3PORT P2 H	1
28	Z-D23004	GAUGE 1.5OD 200PSI .	1
29	D23699	NIPPLE .25NPT X 2.0	1
30	000000-00	No Longer Available	1
31	SUDL-403-1	ASSY CORD POWER SJT	1
32	000000-00	No Longer Available	1
33	SSN-8001	FASTENER RATCHET NYL	1
34	SSP-6021	BUSHING REDUCER 1/8-	1
35	D26889	ADAPTER .25 NPT X .2	1
36	000000-00	No Longer Available	1
37	Z-AC-0140	ASSY ECCENTRIC BEARI	1
38	SSF-615	SCREW .250-20X1.25 U	1
39	AC-0108	FAN 5.75 DIA	1
40	SSF-586	SCREW .250-20X.750 U	1
41	SSG-8156	ORING 2.759/2.719ID	1
42	Z-AC-0032	ASSY VALVE PLATE	1
43	ACG-45	ORING P/L HEAD	1
44	AC-0236	HEAD MACH 3/8 NPT 1/	1
45	SSF-589	STUD 1/4 - 20 X 1.12	2
46	SSF-927	SCREW .250-20X1.125	2
47	SSF-3158-1	SCREW #10-24X.750 TH	1
48	KK-4835	KIT CONNECTING ROD L	1
49	K-0650	KIT COMP RING REPLAC	1
50	KK-4835	KIT CONNECTING ROD L	1
51	K-0650	KIT COMP RING REPLAC	1
856	000000-00	No Longer Available	1
856	000000-00	No Longer Available	1

Parts List for SDSC2E4STD Type 0

Item Number	Part Number	Description	Qty Required
856	KK-4835	KIT CONNECTING ROD L	1
856	KK-4315	KIT VALVE REPLACEMEN	1
856	K-0650	KIT COMP RING REPLAC	1