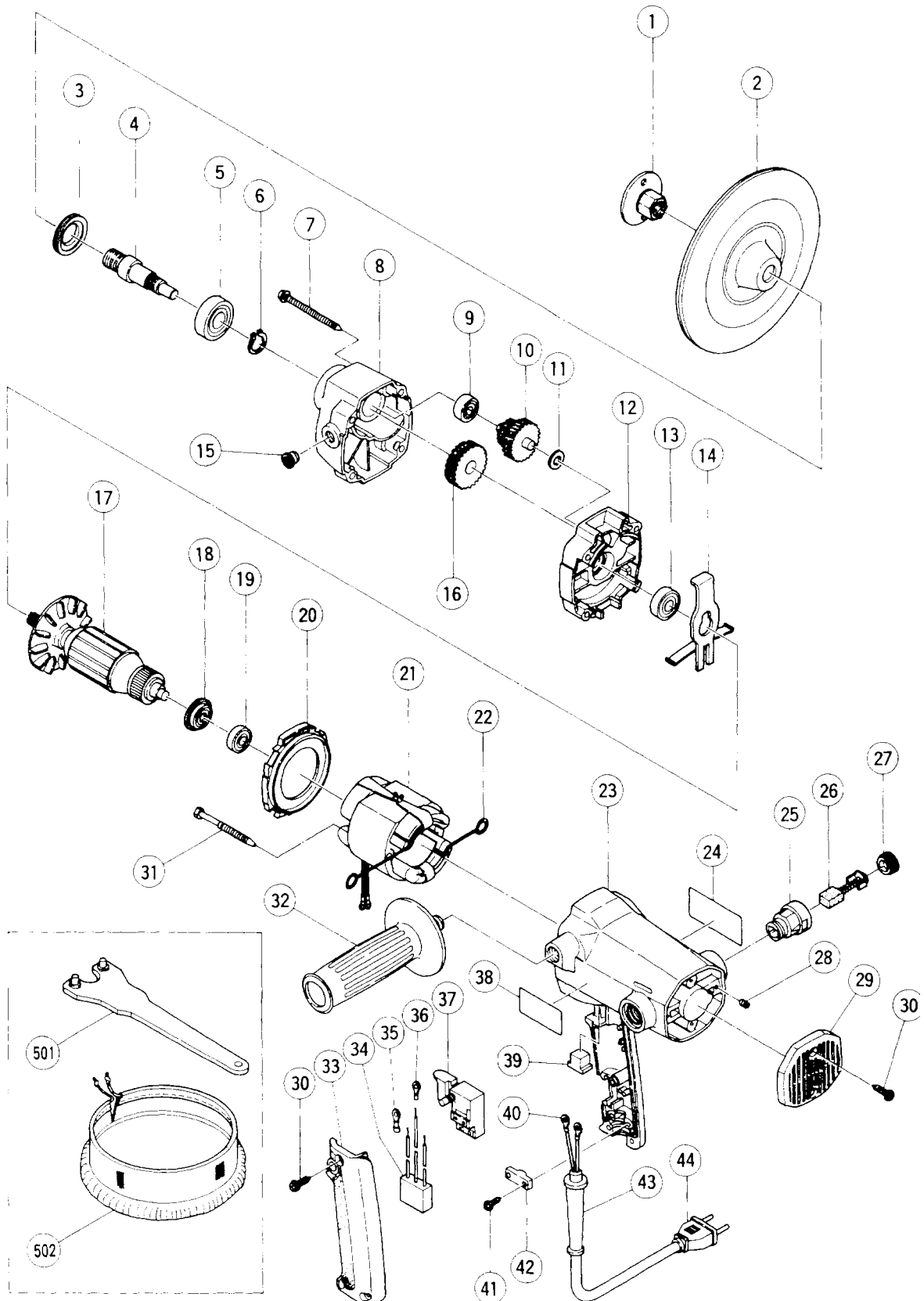


## ELECTRIC TOOL PARTS LIST

■ POLISHER  
Model SP 18SA

1999 · 5 · 10  
(E1)



## PARTS

SP 18SA

ITEM NO.	CODE NO.	DESCRIPTION	NO. USED	REMARKS
* 1	953-381	WASHER NUT	1	
* 1	953-246Z	WASHER NUT M14	1	FOR ITA,ESP
* 1	953-254P	WASHER NUT 5/8"-11UNC	1	FOR USA
* 2	953-255	RUBBER PAD (D16 HOLE)	1	FOR INA,SIN,HKG,USA,CHN
* 2	953-247Z	RUBBER PAD (D14 HOLE)	1	FOR ITA,ESP
3	944-005	BEARING CAP	1	
* 4	317-910	SPINDLE	1	
* 4	317-908	SPINDLE	1	FOR ITA,ESP
* 4	317-909	SPINDLE	1	FOR USA
5	620-1DD	BALL BEARING 6201DDCMPS2L	1	
6	939-542	RETAINING RING FOR D12 SHAFT (10 PCS.)	1	
7	309-778	TAPPING SCREW (W/FLANGE) D5X55 (BLACK)	4	
8	318-016	GEAR COVER	1	
9	608-VVM	BALL BEARING 608VVC2PS2L	1	
10	317-905	SECOND PINION	1	
11	317-906	WASHER	1	
12	317-904	INNER COVER	1	
13	600-0DD	BALL BEARING 6000DDCMPS2L	1	
14	317-890	LOCK LEVER	1	
15		CAP	1	
16	317-907	FINAL GEAR	1	
* 17	360-502U	ARMATURE ASS'Y 110V-115V	1	INCLUD.13,18,19
* 17	360-502E	ARMATURE 220V-230V	1	
18	317-889	DUST SEAL	1	
19	608-VVM	BALL BEARING 608VVC2PS2L	1	
20	317-888	FAN GUIDE	1	
* 21	340-449C	STATOR ASS'Y 110V-115V	1	INCLUD.22
* 21	340-449H	STATOR ASS'Y 220V-230V	1	INCLUD.22
* 21	340-449E	STATOR ASS'Y 220V-230V	1	INCLUD.22 FOR INA,SIN,HKG
22	930-703	BRUSH TERMINAL	2	
23	317-896	HOUSING ASS'Y	1	INCLUD.25,28
24		NAME PLATE	1	
25	958-900	BRUSH HOLDER	2	
26	999-043	CARBON BRUSH (1 PAIR)	2	
27	945-161	BRUSH CAP	2	
28	938-477	HEX. SOCKET SET SCREW M5X8	2	
29	317-894	TAIL COVER	1	
30	302-086	TAPPING SCREW (W/FLANGE) D4X20 (BLACK)	5	
31	953-174	HEX. HD. TAPPING SCREW D5X55	2	
32	937-981	SIDE HANDLE FOR M14	1	
33	317-892	HANDLE COVER	1	
* 34	994-273	NOISE SUPPRESSOR	1	FOR ITA,ESP,CHN
* 35	311-741	TERMINAL	2	FOR NOISE SUPPRESSOR
* 36	959-144	TERMINAL 50051 (10 PCS.)	1	FOR NOISE SUPPRESSOR
37	302-477	SWITCH (C) (1P SCREW TYPE) W/LOCK	1	
38		HITACHI LABEL	1	
39	317-893	DUST PACKING	1	
40	980-063	TERMINAL	2	FOR CORD
41	984-750	TAPPING SCREW (W/FLANGE) D4X16	2	
42	960-266	CORD CLIP	1	
* 43	953-327	CORD ARMOR D8.8	1	

\* : ALTERNATIVE PARTS

5 - 99



