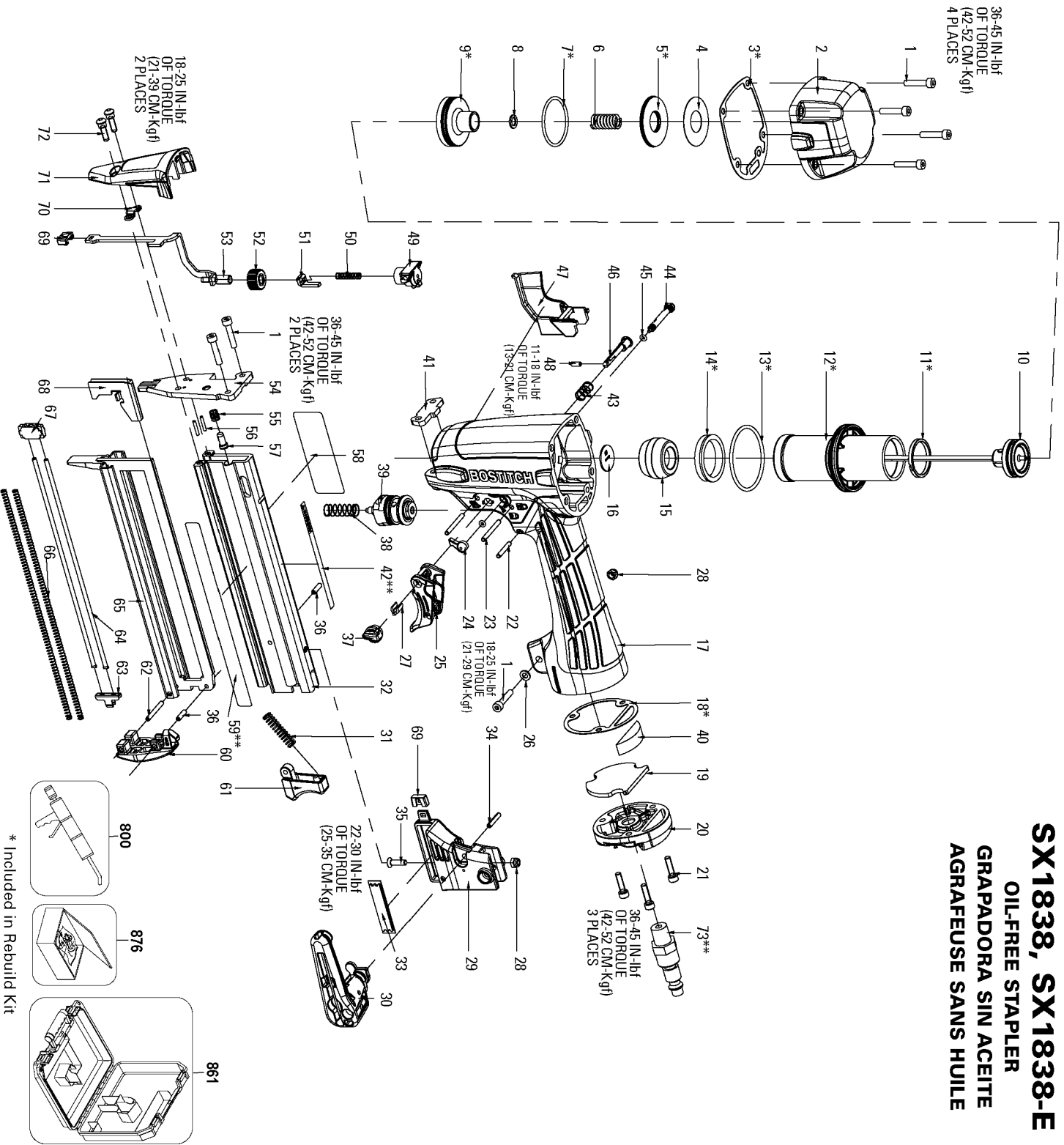


SX1838, SX1838-E
OIL-FREE STAPLER
GRAPADORA SIN ACEITE
AGRAFEUSE SANS HUILE



* Included in Rebuild Kit
 ** Not included in SX1838-E

Parts List for SX1838K Type 0

Item Number	Part Number	Description	Qty Required
1	100260	SCREW	7
2	181917	ASSEMBLY-CAP	1
3	175682	GASKET-FRAME/CAP	1
4	180445	PLATE	1
5	180446	SEAL	1
6	180447	SPRING	1
7	180448	O RING	1
8	180449	WASHER FLAT	1
9	180450-S	HEAD VALVE BODY	1
10	180205	ASSEMBLY-PISTON/DRIV	1
11	180457	RING-PISTON	1
12	180458	SLEEVE-CYLINDER	1
13	180459	O-RING-44.7MMX2.4MM	1
14	180460	CHECK SEAL	1
15	180461	BUMPER	1
16	180462	DRIVER GUIDE	1
17	175656	FRAME-OVERMOLD	1
18	180463	GASKET-END CAP	1
19	180578	AIR FILTER	1
20	180465	END CAP	1
21	MSC4070-16	SCREW-SHCS-M4X0.7X16	1
22	180475	PIN-SPRING-M3X20MM	1
23	174345	PIN SPRING	1
24	184518	BUTTON-TRIGGER LOCK	1
25	184513	ASSEMBLY-TRIGGER	1
26	180504	WASHER, FLAT	1
27	184508	BUSHING	1

Parts List for SX1838K Type 0

Item Number	Part Number	Description	Qty Required
28	MHE4070-100	ELASTIC STOP NUT-M4	2
29	181914	BRACKET-MAGAZINE	1
30	180515	ASSEMBLY-BELT HOOK	1
31	180528	SPRING	1
32	180192	MAGAZINE-FIXED-MACHI	1
34	107583	PIN SPRING	1
35	174307	SCREW-SFHCS-M4X0.7X1	1
36	MPG030012	PIN SPRING	2
37	184506	BUTTON-MODE SWITCH	1
38	180476	SPRING-TRIGGER	1
39	TVA15	TRIGGER VALVE	1
40	180208	PLATE-DRIVER	1
41	180208	PLATE-DRIVER	1
42	181919	LABEL-WARNING	1
43	180481	SPRING-MODE SWITCH	1
44	184519	PIN-TRIGGER LOCK	1
45	MRG002514	O-RING-.098X.055	1
46	184507	PIN-MODE SWITCH	1
47	180530	GUIDE	1
48	180484	SCREW-SET-M3X8MM	1
49	180514	GUIDE-UPPER TRIP	1
50	180513	SPRING	1
51	180510	ASSEMBLY-UPPER CONTA	1
52	180509	ADJUSTING KNOB	1
53	180318	ASSEMBLY-TRIP	1
54	180190	NOSE	1
55	180521	SPRING-LOCKOUT	1

Parts List for SX1838K Type 0

Item Number	Part Number	Description	Qty Required
56	180490	PIN SPRING	2
57	180522	PLUNGER-LOCKOUT	1
58	180296	LABEL-WARNING	1
59	180302	LABEL-PRODUCT/FASTEN	1
60	180201	END CAP-MAGAZINE	1
61	180529	LATCH	1
62	180567	PIN SPRING	1
63	180200	SUPPORT-SLIDING GUID	1
64	180526	ROD-SPRING GUIDE	2
65	180206	ASSEMBLY-MAGAZINE CO	1
66	180527	SPRING	2
67	180199	GUIDE-SLIDING	1
68	180198	PUSHER	1
69	179760	FOOT-CONTACT (NO MAR	2
70	180207	BRACKET-TRIP	1
71	180194	COVER-NOSE	1
72	180587	SHOULDER SCREW-M4.0X	2
800	100679	LUBE (1LB.CAN)	1
800	100653	LUBE (2CC)	1
861	180583	BLOW MOLDED CASE-BT/	1
876	TVA15RF	ACTUATOR ASSY.	1
876	BT55/SX38-RK	REBUILD KIT	1