

Tanaka

Parts Catalog

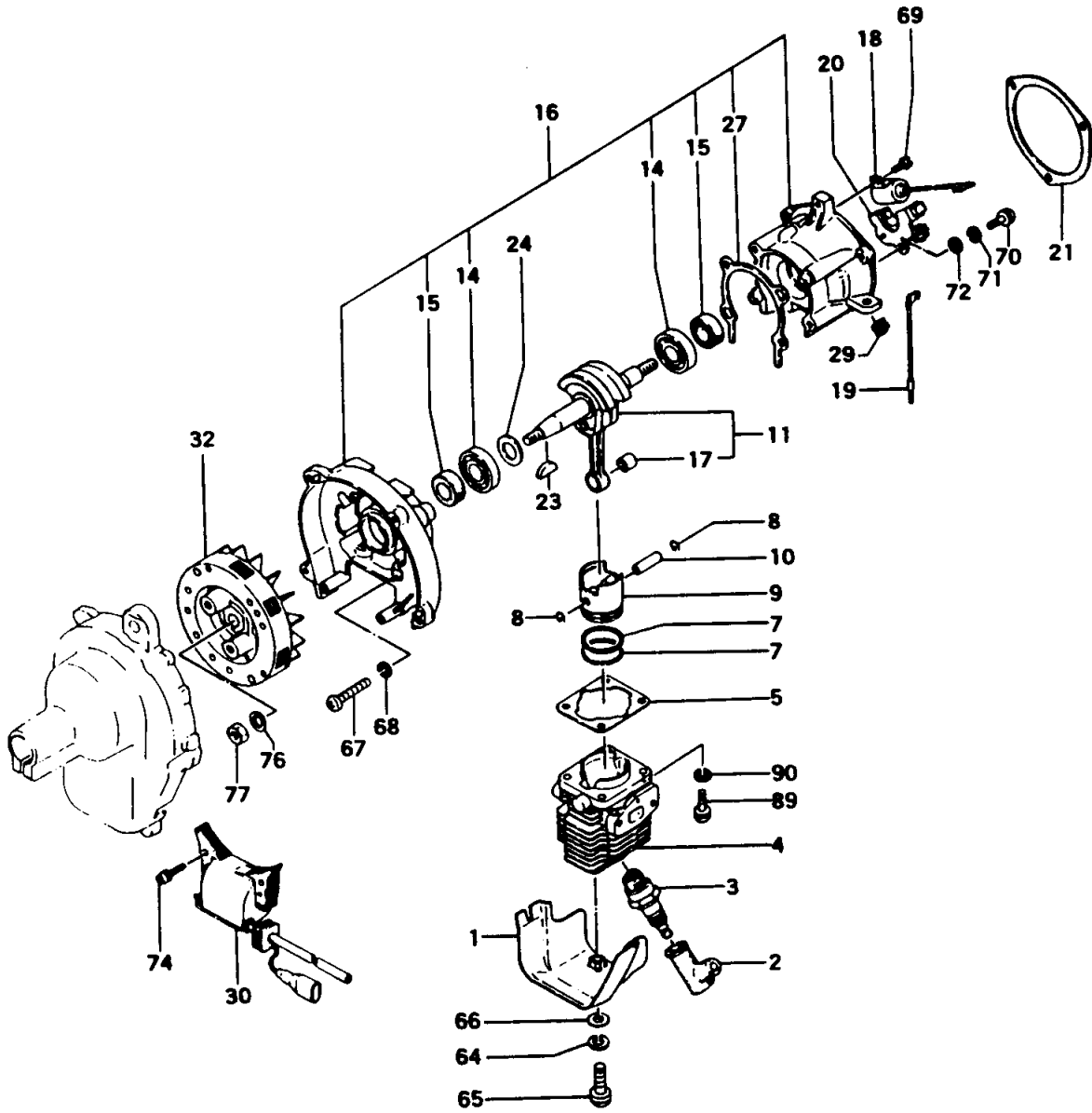


Trimmer/Brushcutter

Model: TBC-162

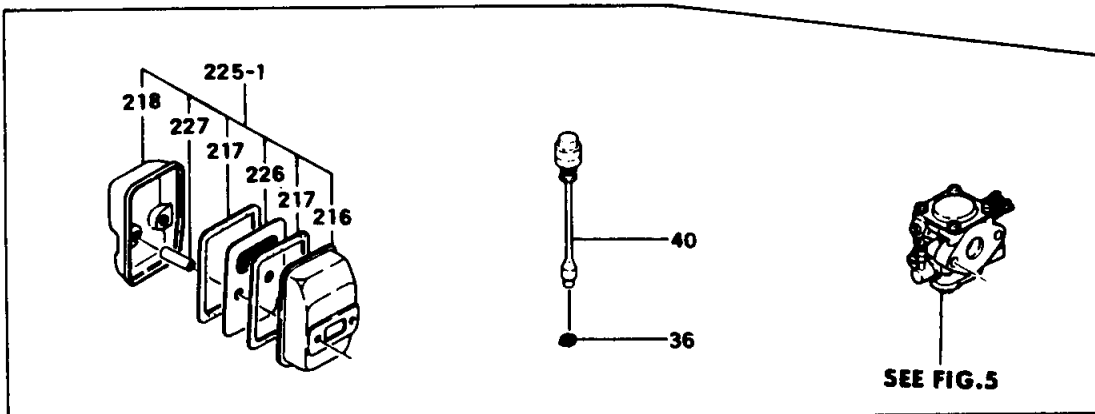
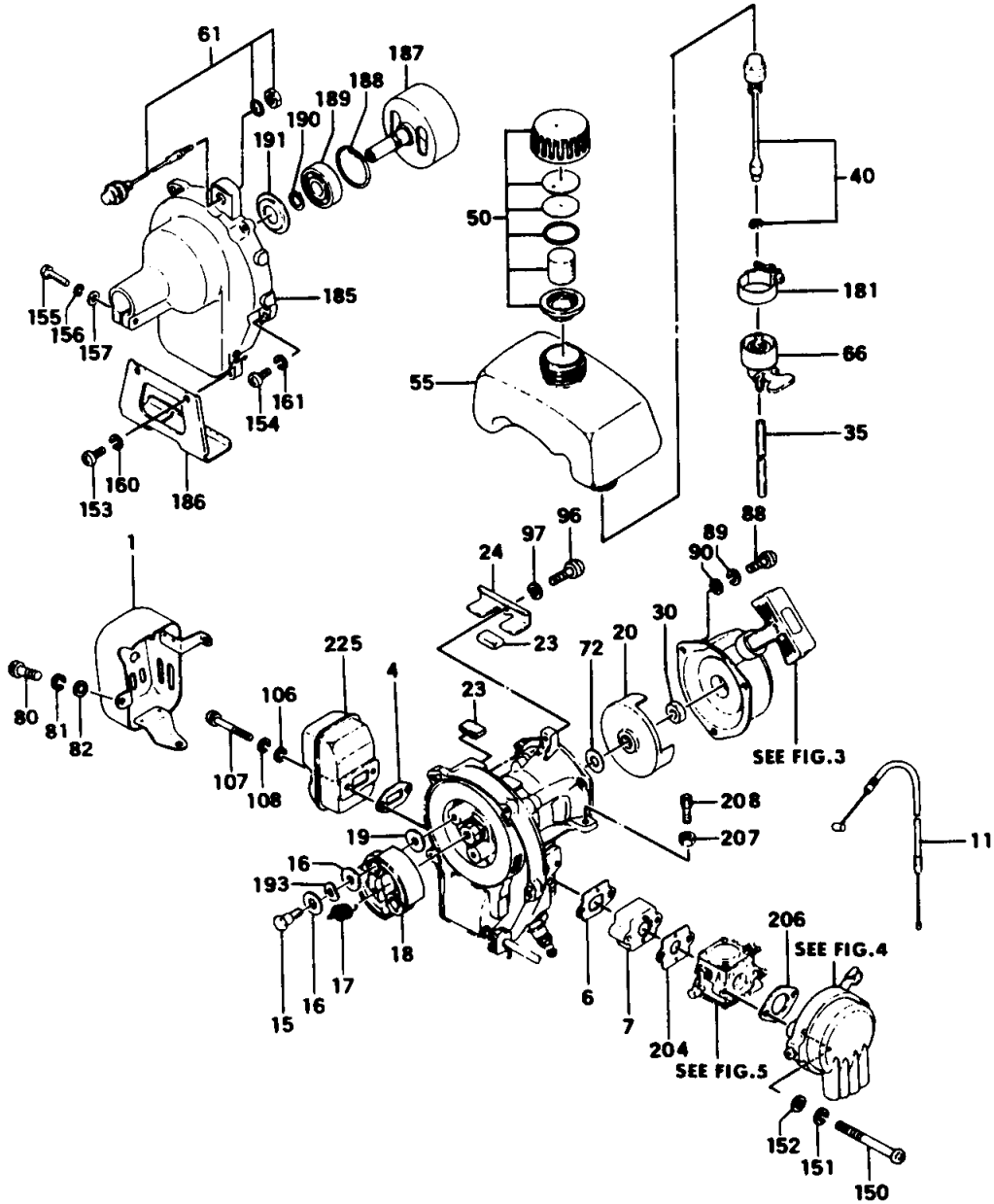
Units Prior To Serial No. C072005

FIG. 1 ENGINE



REF. NBR	PART NBR	PART NAME	QTY	SERIAL NBR	REMARKS
1-001	016-06000-800	CYLINDER SHROUD COMP.	1		
1-002	157-04000-900	SPARK PLUG CAP ASS'Y	1		
1-003	018-00502-200	SPARK PLUG BM6A	1		
1-004	002-06020-200	CYLINDER	1		
1-005	017-06100-200	CYLINDER GASKET	1		
1-007	041-06100-200	PISTON RING	2		
1-008	039-06100-200	CIR CLIP	2		
1-009	031-06100-200	PISTON	1		
1-010	037-06100-200	PISTON PIN	1		
1-011	046-06000-800	CRANK SHAFT COMP.	1		
1-014	999-61600-100	BALL BEARING #8001, 28MM/OD	2		
1-015	999-66122-266	OIL SEAL 12227	2		
1-016	072-06020-900	CRANK CASE ASS'Y	1		
1-017	999-62071-127	NEEDLE BEARING F-79	1		
1-018	177-20746-800	CONDENSER COMP.	1	-A009849	
1-018	177-21501-800	CONDENSER COMP.	1	N A009850-	
1-019	173-00601-800	PRIMARY CORD COMP., B140M	1	R - 799199	
1-019	173-20701-802	PRIMARY CORD COMP.	1	R -B201532	
1-019	173-06020-800	PRIMARY CORD COMP., Y145M	1	B201533-	
1-020	160-20712-900	CONTACT BREAKER B ASS'Y	1	I -A009849	
1-020	160-21501-900	CONTACT BREAKER B ASS'Y	1	A009850-	
1-021	810-06000-200	RECOIL STARTER GASKET	1	R -A164083	
1-021	810-06000-201	RECOIL STARTER GASKET	1	A164684-	
1-023	068-10100-200	WOOD-RUFF KEY 3X13X4.5	1		
1-024	330-00200-210	GEAR SHAFT SHIM 0.10	V		
1-024	330-00200-220	GEAR SHAFT SHIM 0.15	V		
1-024	330-00200-230	GEAR SHAFT SHIM 0.20	V		
1-024	330-00200-240	GEAR SHAFT SHIM 0.30	V		
1-027	090-06000-200	CRANK CASE GASKET	1	R -A276924	
1-027	090-06000-201	CRANK CASE GASKET	1	A276925-	
1-029	203-06000-200	PRIMARY CORD GROMMET	1		
1-030	167-20745-800	IGNITION COIL COMP.	1	R - 823299	
1-030	167-21501-800	IGNITION COIL COMP.	1	823300-	
1-032	155-20745-801	MAGNETO ROTOR COMP.	1	R -B083603	
1-032	155-21702-800	MAGNETO ROTOR COMP.	1	B083604-	
1-064	992-10050-012	S.WASHER 5	1		
1-065	990-11050-161	SCREW 5X16	1		
1-066	992-00050-011	SMALL WASHER 5	1		
1-067	990-11050-301	SCREW 5X30	4		
1-068	992-10050-012	S.WASHER 5	4		
1-069	990-11040-081	SCREW 4X8	1		
1-070	990-11040-101	SCREW 4X10	1		
1-071	992-10040-012	S.WASHER 4	1		
1-072	992-00040-011	SMALL WASHER 4	1		
1-074	990-11040-181	SCREW 4X18	2	M	
1-074	994-16040-226	SCREW 4X22/VS	2		
1-076	065-00000-200	FLYWHEEL WASHER	1		
1-077	327-00201-200	NUT 7 (L. H. THREAD)	1	M	
1-077	327-00201-201	NUT 7 (L. H. THREAD)	1		
1-089	990-11050-161	SCREW 5X16	4		
1-090	992-10050-012	S.WASHER 5	4		

FIG.2 ENGINE COMPONENTS

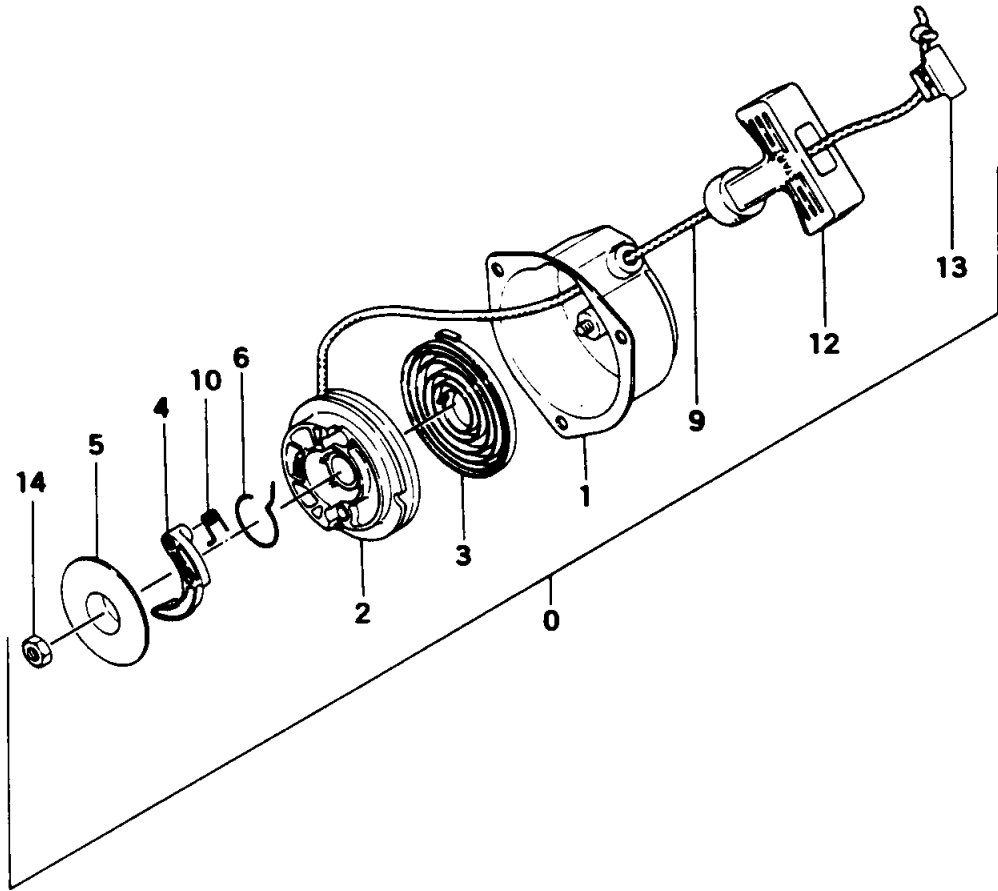


REF. NBR	PART NBR	PART NAME	QTY		SERIAL NBR	REMARKS
2-001	738-06000-800	MUFFLER PROTECTOR COMP.	1	R	- 897799	
2-001	738-06000-801	MUFFLER PROTECTOR COMP.	1		897800-	
2-004	737-06100-210	MUFFLER GASKET	1			
2-006	403-06020-200	INLET MANIFOLD GASKET	1			
2-007	404-06020-200	INSULATOR	1	R	-A164683	
2-007	404-06020-201	INSULATOR	1	R	-B201532	
2-007	404-06020-202	INSULATOR	1		B201533-	
2-011	885-0602R-900	THROTTLE WIRE ASS'Y	1	M		
2-011	885-0602R-800	THROTTLE WIRE COMP.	1			
2-015	357-00601-200	STEP BOLT	2			
2-016	358-02103-200	WASHER	4		-A258811	
2-016	348-0602R-200	CLUTCH PLATE A	4	M	A258812-	
2-017	342-00501-204	CLUTCH SPRING	1			
2-018	290-00501-802	CLUTCH SHOE COMP.	2			
2-019	359-02103-200	CLUTCH WASHER B	2			
2-020	798-06000-200	STARTER PULLEY	1	R	-B083603	
2-020	798-06000-201	STARTER PULLEY	1		B083604-	
2-023	655-06100-200	FUEL TANK CUSHION RUBBER	4			
2-024	653-06000-200	FUEL TANK BRACKET	1			
2-030	991-16080-003	NUT 8 (L.H. THREAD)	1			
2-035	700-03005-062	FUEL PIPE	1			
2-036	680-04019-210	CLIP 7	1	M		
2-040	598-06020-900	PUMP FILTER ASS'Y	1			
2-050	595-0062A-901	TANK CAP ASS'Y	1			
2-055	591-06020-200	TANK	1	R	- 851299	
2-055	591-06020-201	TANK	1	R	-A234724	
2-055	591-0602R-200	TANK	1		A234725-	
2-061	170-00750-800	STOP BUTTON COMP.	1	R	- 920099	
2-061	170-00750-801	STOP BUTTON COMP.	1		920100-	
2-066	592-06666-900	PET-COCK ASS'Y	1			
2-072	359-10112-203	CLUTCH WASHER B	1			
2-080	994-15040-101	SCREW 4X10/PS	2	M		
2-080	990-11040-101	SCREW 4X10	2			
2-081	992-10040-012	S.WASHER 4	2			
2-082	992-01040-011	WASHER 4	2			
2-088	990-11050-121	SCREW 5X12	3			
2-089	992-10050-012	S.WASHER 5	3			
2-090	992-00050-011	SMALL WASHER 5	3			
2-096	990-11050-121	SCREW 5X12	1	M		
2-096	990-11050-141	SCREW 5X14	1			
2-097	992-10050-012	S.WASHER 5	1			
2-106	992-00050-011	SMALL WASHER 5	2			
2-107	990-11050-421	SCREW 5X42	2		-A234724	
2-107	990-11050-451	SCREW 5X45	2	M	-B201532	
2-107	990-11050-421	SCREW 5X42	2	M	B201533-	
2-108	992-10050-012	S.WASHER 5	2			
2-150	994-14050-601	SCREW 5X60/S	2		-B201532	
2-150	990-11050-651	SCREW 5X65	2	M	B201533-	
2-151	992-10050-012	S.WASHER 5	2			
2-152	992-00050-011	SMALL WASHER 5	2			
2-153	990-11050-121	SCREW 5X12	2			
2-154	990-11050-181	SCREW 5X16	4			
2-155	990-21050-206	H.T. BOLT 5X20	1	R	-A297650	
2-155	990-23050-206	H.T. BOLT 5X20	1		A297651-	
2-156	992-11050-012	S.WASHER 5	1	M		
2-156	992-10050-012	S.WASHER 5	1			
2-157	992-00050-011	SMALL WASHER 5	1			
2-160	992-10050-012	S.WASHER 5	2			
2-161	992-10050-012	S.WASHER 5	4			
2-181	680-06020-900	CLIP ASS'Y	1			
2-185	112-06020-200	FAN CASE	1	R	- 799199	
2-185	112-06020-202	FAN CASE	1		799200-	
2-186	740-06000-200	STAND	1	M		

- To be cont'd -

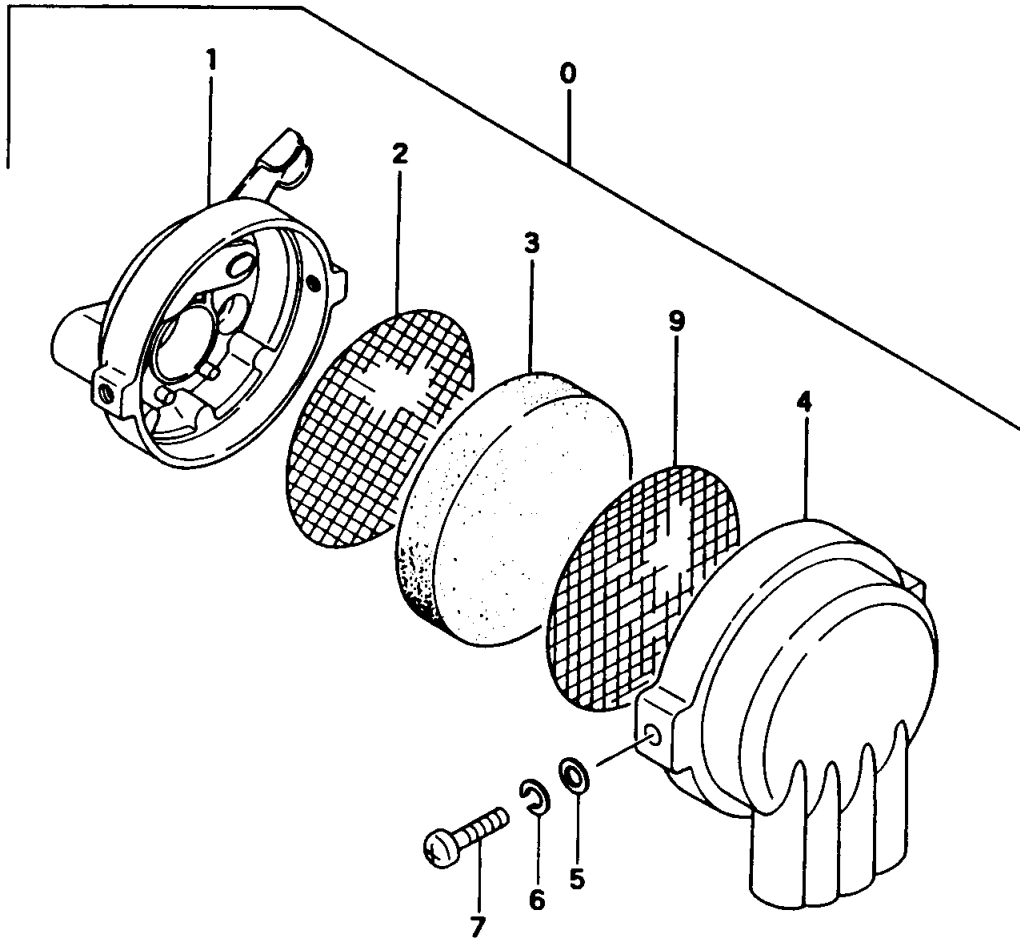
REF. NBR	PART NBR	PART NAME	QTY	SERIAL NBR	REMARKS
2-186	941-06000-200	STAND	1		
2-187	289-06020-800	CLUTCH SHAFT COMP.	1	R -A038186	
2-187	289-06020-801	CLUTCH SHAFT COMP.	1	A038187-	
2-188	993-51032-002	STOP RING C-32 IN	1		
2-189	999-61620-101	BALL BEARING #6201ZZ. 32MM/OD	1		
2-190	993-50012-002	STOP RING C-12 EX	1		
2-191	801-06020-200	STEP WASHER	1		
2-193	992-04080-030	WAVE WASHER 8	2	M	
2-193	992-04080-031	WAVE WASHER 8	2	M	A258812-
2-204	402-06020-200	CARBURETOR GASKET	1		
2-206	431-06020-200	CLEANER GASKET	1		
2-207	991-01060-013	NUT 6	1		
2-208	894-01401-201	OUTER RECEIVER	1		
2-216	716-0602B-200	MUFFLER BODY A	1	D	B201533-
2-217	739-0602B-200	MUFFLER COUPLING GASKET	2	D	B201533-
2-218	717-0602B-200	MUFFLER BODY B	1	D	B201533-
2-225.1	706-0602B-900	MUFFLER ASS'Y W/ARRESTER	1	R	-B201532
2-225	706-06000-800	MUFFLER COMP.	1		B201533-
2-226	722-0602B-800	MUFFLER PARTITION PLATE COMP.	1	D	B201533-
2-227	740-0602B-201	MUFFLER COLLAR	2	D	B201533-

FIG.3 RECOIL STARTER



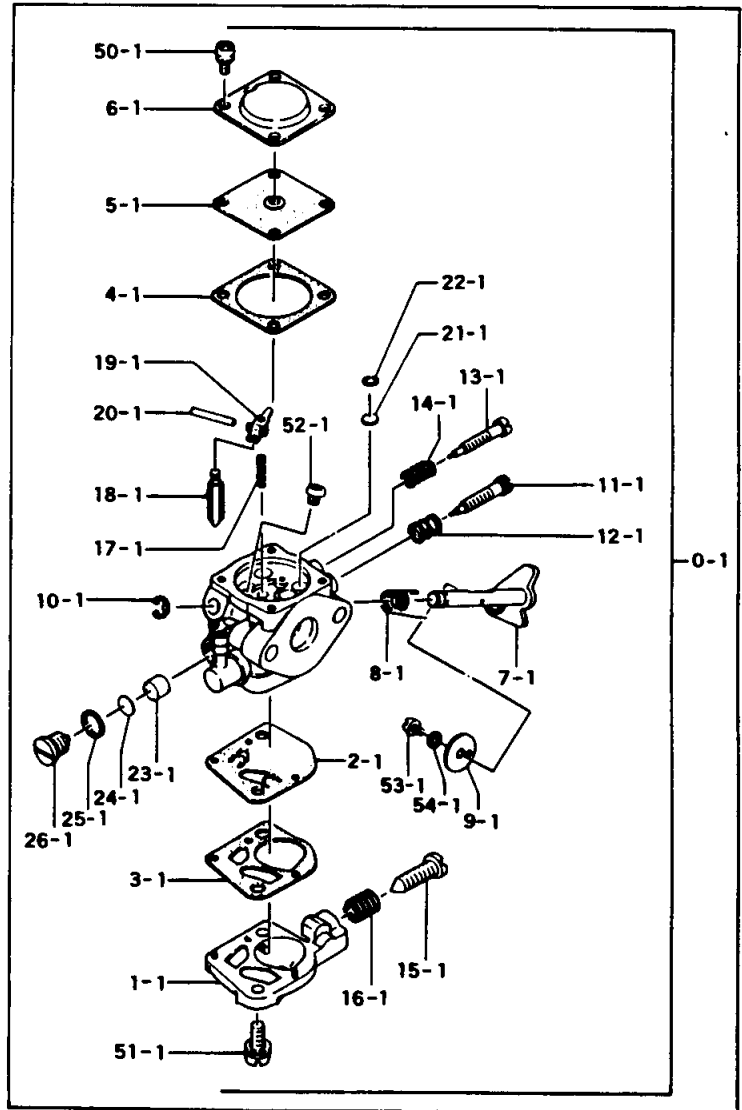
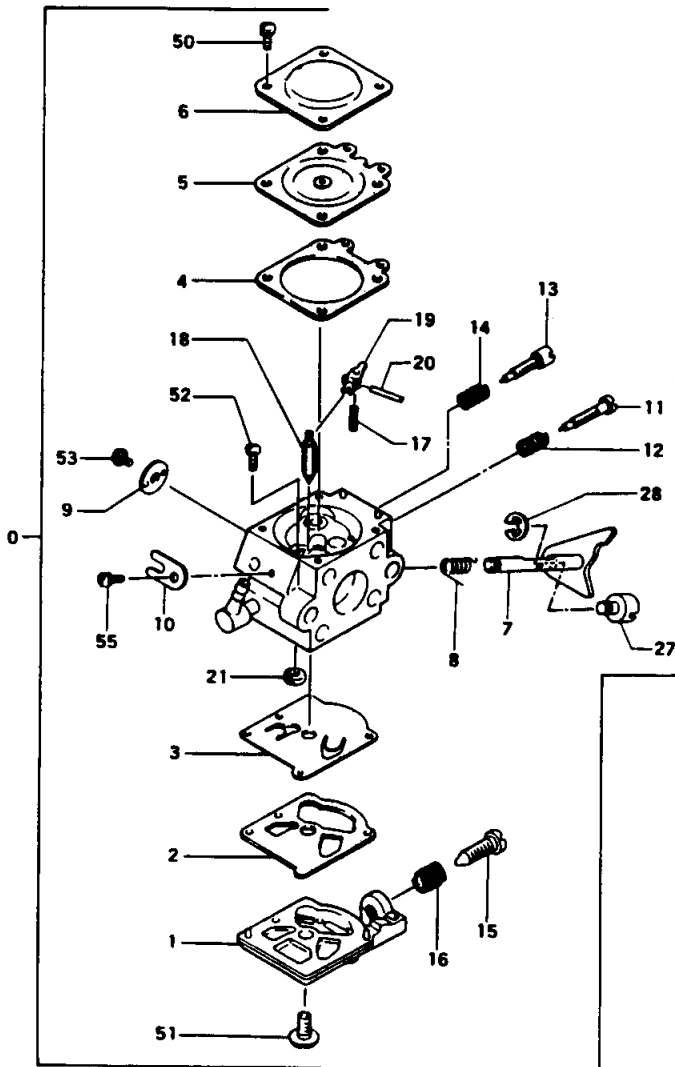
REF. NBR	PART NBR	PART NAME	QTY	SERIAL NBR	REMARKS
3-000	762-06000-900	RECOIL STARTER BODY ASSY	1	R -B083603	
3-000	762-06000-901	RECOIL STARTER BODY ASSY	1	B083604-	
3-001	772-06000-800	RECOIL STARTER BODY COMP.	1	R -B083603	
3-001	772-06000-801	RECOIL STARTER BODY COMP.	1	B083604-	
3-002	774-06000-200	STARTER ROPE REEL	1	M	
3-002	774-06000-210	STARTER ROPE REEL	1		
3-003	779-06000-200	RECOIL SPRING	1		
3-004	788-06000-200	STARTER PAWL	1	R -B083603	
3-004	788-06000-210	STARTER PAWL	1	B083604-	
3-005	837-06000-200	FRICTION PLATE	1	I -B083603	
3-005	837-06000-201	FRICTION PLATE	1	B083604-	
3-006	836-06000-200	FRICTION SPRING	1		
3-009	783-06000-200	ROPE	1		
3-010	832-01500-200	RETURN SPRING	1	M	
3-010	832-06000-200	RETURN SPRING	1	N B083604-	
3-012	785-06000-200	STARTER HANDLE	1		
3-013	815-06000-200	STARTER HANDLE METAL	1	M	
3-013	835-05004-200	HANDLE CAP	1		
3-014	991-01050-013	NUT 5	1		

FIG.4 AIR CLEANER



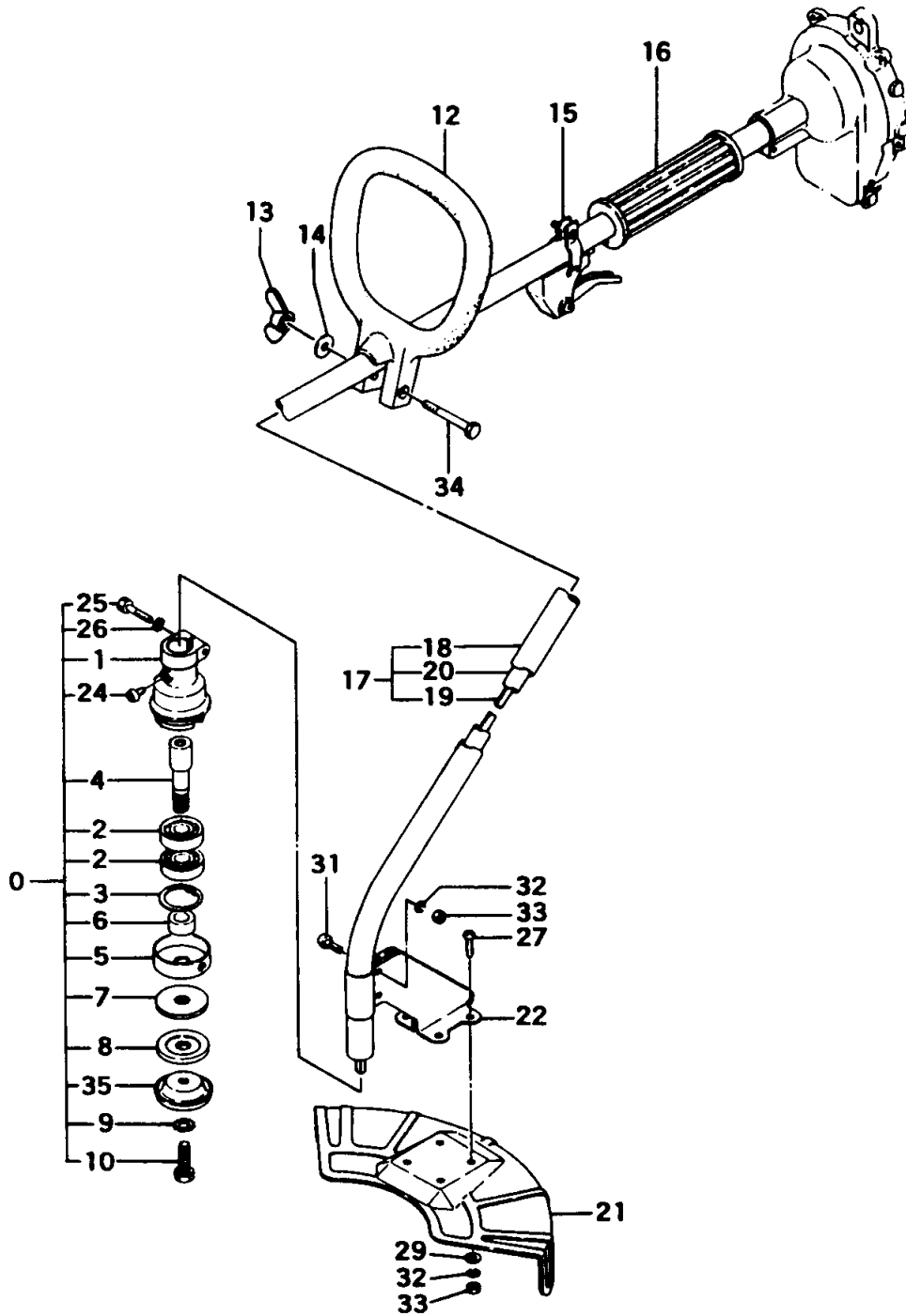
REF. NBR	PART NBR	PART NAME	QTY	SERIAL NBR	REMARKS
4-000	410-06020-900	AIR CLEANER ASS'Y	1	R -A137827	
4-000	410-0602R-900	AIR CLEANER ASS'Y	1	A137828-	
4-001	423-06020-800	CLEANER BODY COMP.	1	R -A137827	
4-001	423-0602R-800	CLEANER BODY COMP.	1	A137828-	
4-002	426-06020-200	CLEANER HOLDER	1	R -A137827	
4-002	426-0602R-200	CLEANER HOLDER	1	A137828-	
4-003	446-00700-220	CLEANER ELEMENT	1		
4-004	424-00731-200	CLEANER CAP	1	R -B201532	
4-004	424-00731-201	CLEANER CAP	1	B201533-	
4-005	992-01040-011	WASHER 4	2		
4-006	992-10040-012	S. WASHER 4	2		
4-007	994-15040-101	SCREW 4X10/PS	2	W	
4-007	990-11040-101	SCREW 4X10	2		
4-009	426-00700-210	CLEANER HOLDER	1		

FIG.5 CARBURETOR



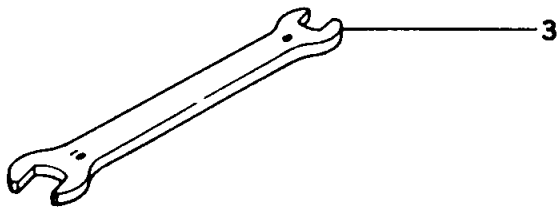
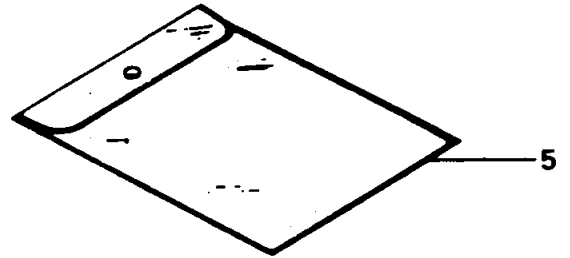
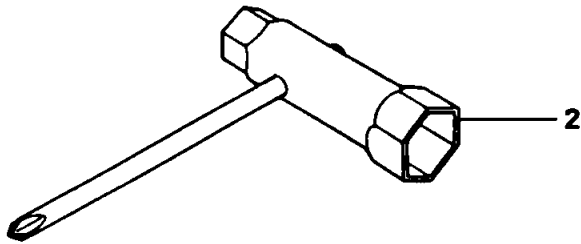
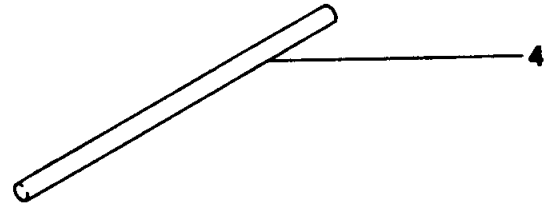
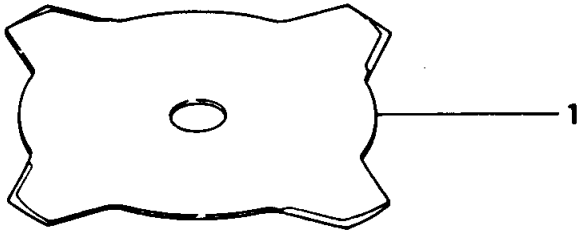
REF. NBR	PART NBR	PART NAME	QTY	SERIAL NBR	REMARKS
5-000,1	455-21400-900	CARBURETOR ASS'Y	1	R - 968999	
5-000,1	455-21401-900	CARBURETOR ASS'Y	1	-A137827	
5-000	455-25006-900	CARBURETOR ASS'Y, WA-110	1	N A137828-	
5-001,1	575-21400-200	PUMP BODY	1		
5-002,1	577-21400-200	PUMP GASKET	1		
5-003,1	576-21400-200	PUMP DIAPHRAGM	1		
5-004,1	475-21400-200	DIAPHRAGM GASKET	1		
5-005,1	474-21400-800	DIAPHRAGM COMP.	1		
5-006,1	476-21400-200	DIAPHRAGM COVER	1		
5-007,1	464-21400-800	THROTTLE SHAFT COMP.	1		
5-008,1	486-21400-200	THROTTLE SPRING	1		
5-009,1	488-21400-200	THROTTLE VALVE	1		
5-010,1	489-21400-200	STOP RING	1		
5-011,1	460-21400-200	HIGH ADJUST SCREW	1		
5-012,1	485-21400-200	HIGH ADJUST SPRING	1		
5-013,1	461-21400-200	SLOW ADJUST SCREW	1		
5-014,1	623-21400-200	LOW ADJUST SPRING	1		
5-015,1	462-21400-200	IDLE ADJUST SCREW	1		
5-016,1	463-21400-200	IDLE ADJUST SPRING	1		
5-017,1	477-21400-200	VALVE SPRING	1		
5-018,1	603-21400-200	NEEDLE VALVE	1		
5-019,1	473-21400-200	CONTROL LEVER	1		
5-020,1	605-21400-200	HINGE PIN	1		
5-021,1	578-21400-200	INNLET SCREEN	2		
5-022,1	558-21400-200	CLIP	1		
5-023,1	502-21400-200	FILTER	1		
5-024,1	584-21400-200	SCREEN	1		
5-025,1	525-21400-200	GASKET	1		
5-026,1	537-21400-200	PLUG	1		
5-050,1	994-34030-080	SCREW 3X8/S	4		
5-051,1	994-34040-100	SCREW 4X10/S	2		
5-052,1	990-10030-040	SCREW 3X4	1		
5-053,1	990-00023-055	R.H SCREW 2.3X5	1		
5-054,1	992-10023-042	S.WASHER 2.3	1		
5-001	575-25006-200	PUMP BODY	1		
5-002	577-25006-200	PUMP GASKET	1		
5-003	576-25006-200	PUMP DIAPHRAGM	1		
5-004	475-25001-200	DIAPHRAGM GASKET	1		
5-005	474-25001-800	METERING DIAPHRAGM COMP.	1		
5-006	476-25006-200	DIAPHRAGM COVER	1		
5-007	464-25006-800	THROTTLE SHAFT COMP.	1		
5-008	486-25006-200	THROTTLE SPRING	1		
5-009	488-25006-200	THROTTLE VALVE	1		
5-010	557-25006-200	THROTTLE SHAFT CLIP	1		
5-011	460-25006-200	HIGH ADJUST SCREW	1		
5-012	485-25003-200	HIGH ADJUST SPRING	1		
5-013	461-25006-200	LOW ADJUST SCREW	1		
5-014	623-25001-200	HIGH/LOW ADJUST SPRING	1		
5-015	462-25006-200	IDLE ADJUST SCREW	1		
5-016	463-25006-200	IDLE ADJUST SPRING	1		
5-017	477-25003-200	VALVE SPRING	1		
5-018	603-25001-200	NEEDLE VALVE	1		
5-019	473-25001-200	VALVE HINGE	1		
5-020	605-25001-200	HINGE PIN	1		
5-021	578-25006-200	INLET SCREEN	1		
5-027	539-25006-200	SWIVEL	1		
5-028	489-25006-200	STOP RING	1		
5-050	548-25001-200	SET SCREW	4	M	
5-050	548-25014-200	SET SCREW	4		
5-051	514-25001-200	SET SCREW	1		
5-052	546-25001-200	HINGE PIN SET SCREW	1		
5-053	467-25003-200	SHUTTER SCREW	1		
5-055	548-25001-200	SET SCREW	1	M	
5-055	548-25014-200	SET SCREW	1		

FIG.6 DRIVE SHAFT & HANDLE



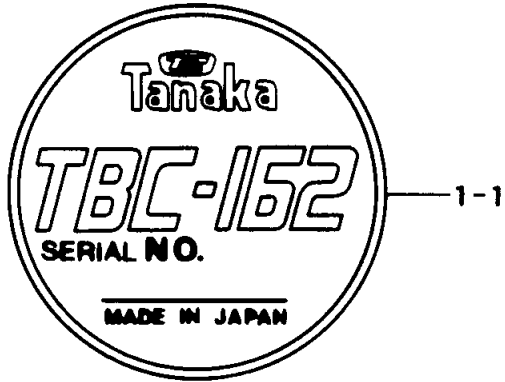
REF. NBR	PART NBR	PART NAME	QTY	SERIAL NBR	REMARKS
6-000	300-33700-900	CUTTER CASE ASS'Y	1		
6-001	300-33700-201	CUTTER CASE	1		
6-002	999-81620-101	BALL BEARING #6201ZZ. 32MM/OD	2		
6-003	993-51032-002	STOP RING C-32 IN	1		
6-004	304-33700-200	CUTTER SHAFT	1		
6-005	370-33700-200	CUTTER CASE COVER	1		
6-008	371-33700-200	CUTTER SHAFT SPACER	2		
6-007	310-33700-200	CUTTER HOLDER	1		
6-008	311-33700-200	CUTTER HOLDER CAP	1		
6-009	992-29080-000	TOOTHED LOCK WASHER 8 L/H	1		
6-010	312-33700-200	BOLT 8/L.H THREAD	1		
6-012	500-33700-200	HANDLE	1	R -A234724	
6-012	500-33700-201	HANDLE	1	A234725-	
6-013	991-81060-011	WING NUT 6	1		
6-014	359-02103-200	CLUTCH WASHER B	1		
6-015	870-33700-910	THROTTLE LEVER ASS'Y	1	I -A234724	
6-015	870-33701-900	THROTTLE LEVER ASS'Y	1	A234725-	
6-016	504-33700-200	SHAFT GRIP	1	R - 851299	
6-016	504-33700-201	SHAFT GRIP	1	851300-	
6-017	341-33700-900	DRIVE SHAFT PIPE ASS'Y	1	N C003101-	
6-018	341-33700-200	DRIVE SHAFT PIPE	1		
6-019	344-33700-200	FLEXIBLE SHAFT	1		
6-020	350-33700-800	FLEXIBLE LINER COMP.	1		
6-021	441-33700-210	SAFETY GUARD	1	-B221232	
6-021	441-33700-220	SAFETY GUARD	1	N B221233-	
6-022	442-33700-200	SAFETY GUARD BRACKET (ORANGE)	1	-B038795	
6-022	442-33700-210	SAFETY GUARD BRACKET ORANGE	1	N -B221232	
6-022	442-33700-211	SAFETY GUARD BRACKET ORANGE	1	P B221233-	
6-024	990-11050-081	SCREW 5X8	1		
6-025	990-21050-251	BOLT 5X25	1		
6-026	992-10050-012	S. WASHER 5	1		
6-027	990-11050-121	SCREW 5X12	4	-B221232	
6-027	990-11050-151	SCREW 5X15	4	N B221233-	
6-029	992-01050-011	WASHER 5	4		
6-031	990-11050-121	SCREW 5X12	2		
6-032	992-10050-012	S. WASHER 5	8		
6-033	991-01050-011	HEX. NUT 5	6		
6-034	990-21080-501	BOLT 6X50	1		
6-035	318-33410-200	BOLT PROTECTION COVER	1	N 780400-	

FIG.7 TOOLS & OPTIONAL PARTS



REF. NBR	PART NBR	PART NAME	QTY	SERIAL NBR	REMARKS
7-001	802-33700-200	BLADE 4 TEETH 203	1	-A164683	
7-001	802-33701-200	BLADE 4 TEETH 200	1	A164684-	
7-002	829-20000-800	COMBI. BOX SPANNER 13X19 .PLUS	1		
7-003	801-20000-200	SPANNER 8X10	1		
7-004	950-20000-200	HANDLE 6X100	1		
7-005	948-32352-200	TOOL BAG	1		

FIG.8 MARKS



REF. NBR	PART NBR	PART NAME	QTY	SERIAL NBR	REMARKS
8-001, 1	906-33751-200	NAME PLATE	1	-C003100	
8-001	906-33751-210	NAME PLATE	1	N C003101-	
8-002	923-33700-200	LEVEL MARK	1		
8-003	929-33701-200	SYMBOL MARK	1		