

# **Tanaka** Illustrated Parts Manual

Model Number:

**TBC-220**

**GRASS TRIMMER/BRUSHCUTTER**

P/N 10704

Rev 002

Date 07-03-01



*Supplier To The Outdoor Power Equipment Industry*

ISM, Inc. • 1028 4<sup>th</sup> Street SW, Ste "B" • Auburn, WA 98001 • Phone: (253) 333-1200 • Fax: (253) 333-1212

## Grass Trimmer Attachments

### TPS-200

Pruning Saw Attachment

The versatile TPS-200 Pruning Saw attachment easily converts Tanaka straight shaft grass trimmers / brushcutters into a powerful pruning saw.



#### TPS-200 Features:

- 24" Shaft Provides a 98" Overall Length when mounted
- 10" Oregon® Bar & Chain
- Easy-Mount Coupler

*To be used with the following Tanaka models:*

- AST-7000 / 7000S / 210
- TBC-4500 / 4501 / 2211
- TBC-220 / 240
- TBC-250 / 2501 / 2510 / 265
- TBC-270PF/PN



TPS-EXT Pruning Saw **Extension** (Part # 748511) Add an **extra two feet of reach** with this pruning saw extension that will fit on both the TPS-2510 and TPS-270PN Pruning Saws. In addition, it can be added to Tanaka straight shaft grass trimmers that utilize the TPS-200 Pole Saw Attachment.

### TPH-200

Pole Hedge Trimmer Attachment

For added reach and maneuverability, the TPH-200 Pole Hedge Trimmer attachment can be added to several Tanaka straight shaft grass trimmers / brushcutters.



#### TPH-200 Features:

- 22" Double Sided Cutting Blades
- Articulating / Pivoting Cutting Angle up to 130 degrees.

*To be used with the following Tanaka models:*

- AST-7000 / 7000S / 210
- TBC-4500 / 4501 / 2211
- TBC-220 / 240
- TBC-250 / 2501 / 2510 / 265
- TBC-270PF/PN

### TMC-200

Mini-Cultivator

This simple, easy to install attachment is ideal for quick garden / flower bed weeding and cultivation. For maximum depth, the TMC-200 can dig up to 4 inches into the ground and 6" wide.

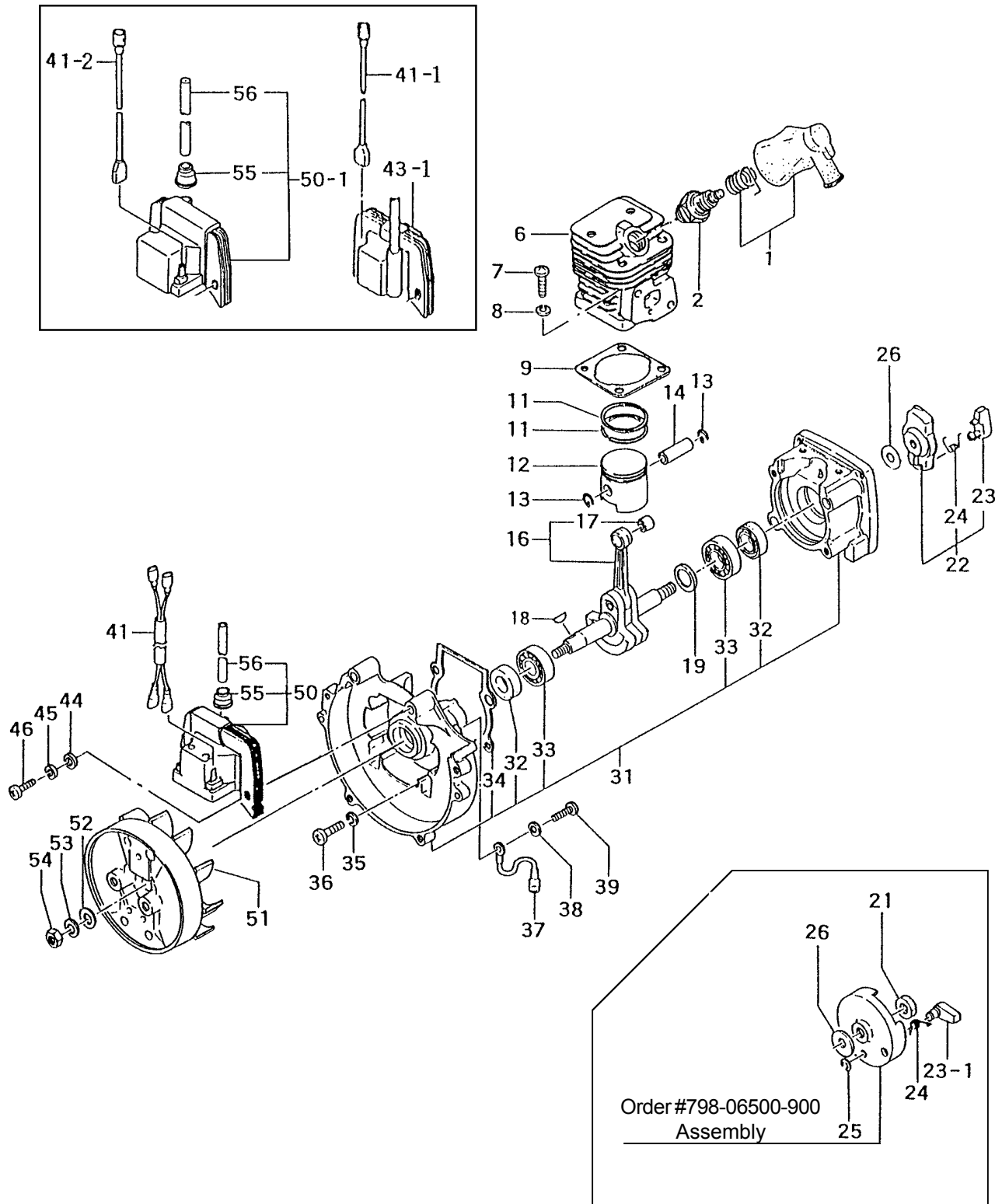
With a 49:1 reduction ratio, this heavy duty gear box gives you more tilling power.



*To be used with the following Tanaka models:*

- AST-7000 / 7000S / 210
- TBC-4500 / 4501 / 2211
- TBC-220 / 240
- TBC-250 / 2501 / 2510 / 265
- TBC-270PF/PN
- TBC-300 / 3010
- TBC-420PF

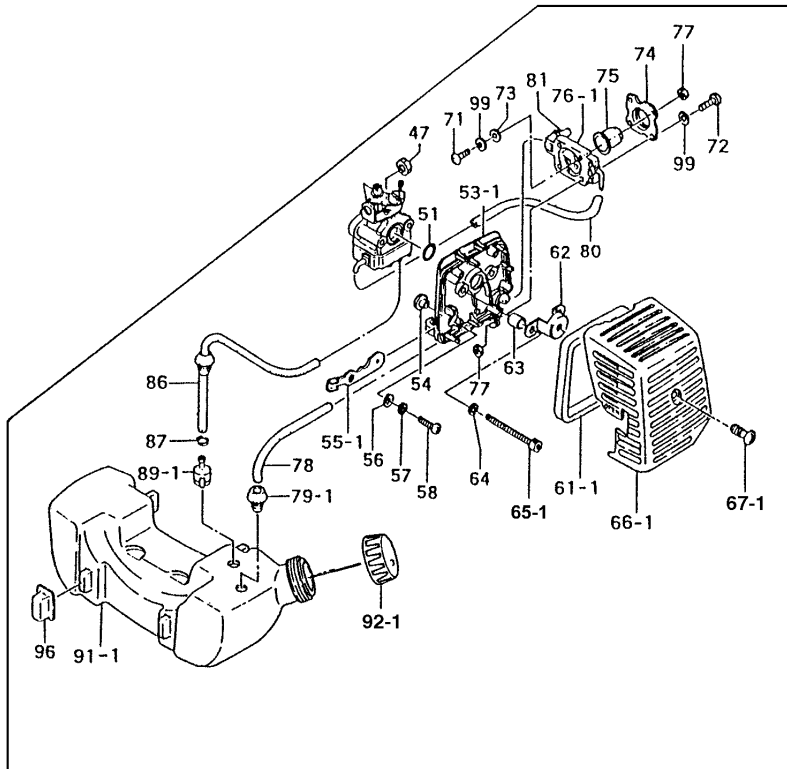
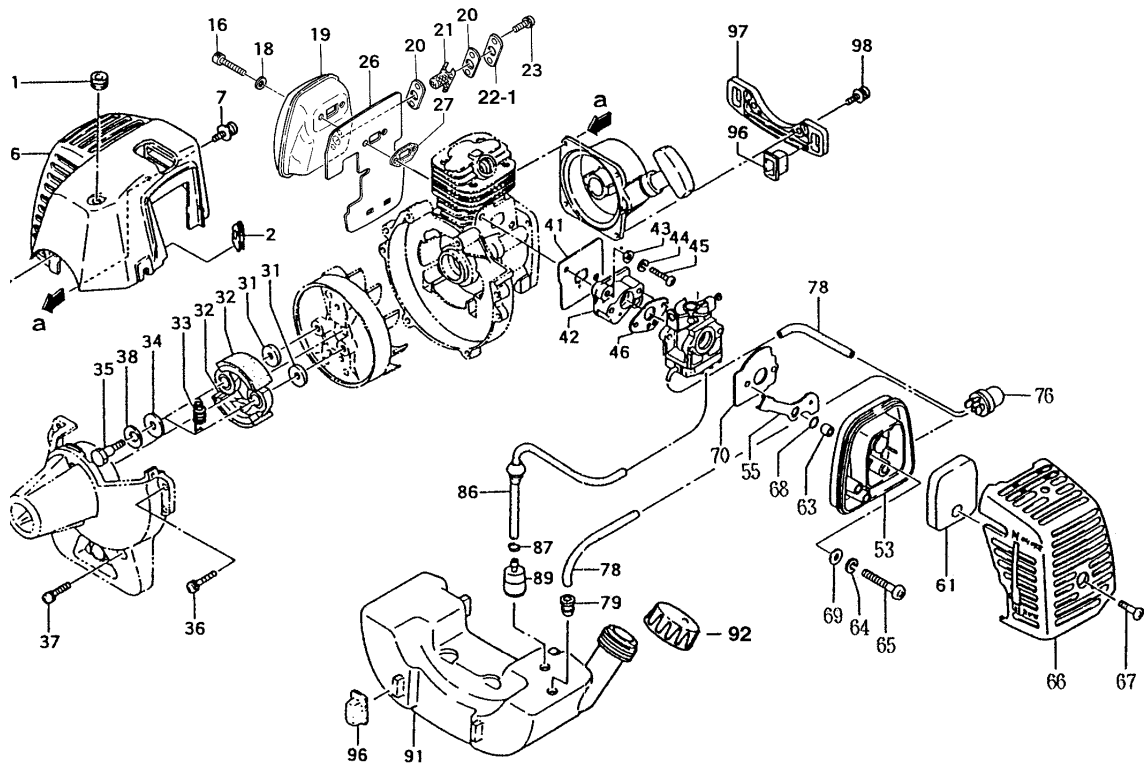
All data and specifications are subject to change without notice  
For more information, contact:



### CYLINDER, PISTON, CRANKSHAFT, IGNITION • FIGURE 1

ITEM	PART NUMBER	DESCRIPTION	QTY	COMMENTS
1	157-0097A-900	CAP, SPARK PLUG, ASS'Y	1	
2	018-11610-21	PLUG, SPARK	1	
6	002-0631P-20	CYLINDER	1	
7	990-11050-181	SCREW, 5X18	4	
8	992-10050-012	WASHER, S, 5	4	
9	017-0631A-200	GASKET, CYLINDER	1	
11	041-00601-210	RING, PISTON	2	
12	031-0636J-200	PISTON	1	
13	039-01620-200	CIRCLIP, PISTON PIN	2	
14	037-00601-200	PIN, PISTON	1	
16	046-0631A-81	CRANKSHAFT	1	
17	999-62081-225	BEARING, NEEDLE, F-810	1	
18	068-10100-200	KEY, WOODRUFF, 3X13X4.5	1	
19	330-00200-210	SHIM, 12.2X19X.10	1	*Shims are "as needed" to obtain correct side clearance
19	330-00200-220	SHIM, 12.2X19X.15	1	
19	330-00200-230	SHIM, 12.2X19X.20	1	
19	330-00200-240	SHIM, 12.2X19X.30	1	
21	991-01080-011	NUT, 8	1	
22	798-06500-900	PULLEY, STARTER, ASS'Y	1	S/N L170134 and after
23-1	788-06097-200	PAWL, STARTER	1	Before S/N L170133
23	788-06500-20	PAWL, STARTER	1	S/N L170134 and after
24	790-06097-200	SPRING, STARTER PAWL	1	
25	993-55005-000	RING, STOP, 5	1	
26	359-10112-203	WASHER, CLUTCH B	1	
31	072-0631A-900	CRANKCASE, ASS'Y	1	*Crankcase assy includes, bearings, seals and gaskets
32	999-66122-240	SEAL, OIL, #12227	1	
33	999-61600-100	BEARING, BALL, #6001	2	
34	090-06097-200	GASKET, CRANKCASE	2	
35	992-10050-012	WASHER, S, 5	1	
36	990-11050-251	SCREW, 5X25	4	
37	274-0631A-800	CORD, EARTH	1	
38	992-10040-012	WASHER, S, 4	1	
39	990-11040-081	SCREW, 4X8	1	
41-2	178-0631A-800	CORD, STOP, 360mm	1	Before S/N M219573
41-1	178-01280-80	CORD, STOP, 380mm	2	S/N M219574 and after
41	178-06550-80	CORD, STOP, 180mm	1	After S/N N197701
43-1	167-20516-900	COIL, IGNITION	1	J245811 thru M219572
44	992-00050-011	WASHER, SMALL, 5	2	
45	992-10050-012	WASHER, S, 5	2	
46	990-11050-201	SCREW, MX20	2	
50-1	167-20516-900	COIL, IGNITION	1	Before S/N M219573
50	167-20521-90	COIL, IGNITION	1	S/N M219574 and after
51	155-20508-80	ROTOR, MAGNETO	1	
52	992-01070-011	WASHER, 7	1	
53	992-10070-012	WASHER, S, 7	1	
54	066-00000-200	NUT, 7	1	
55	560-20517-200	CAP, RUBBER	1	
56	264-20516-200	LEAD, HIGH TENSION	1	

### CRANKCASE, MUFFLER, AIR CLEANER, FUEL SYSTEM • FIGURE 2

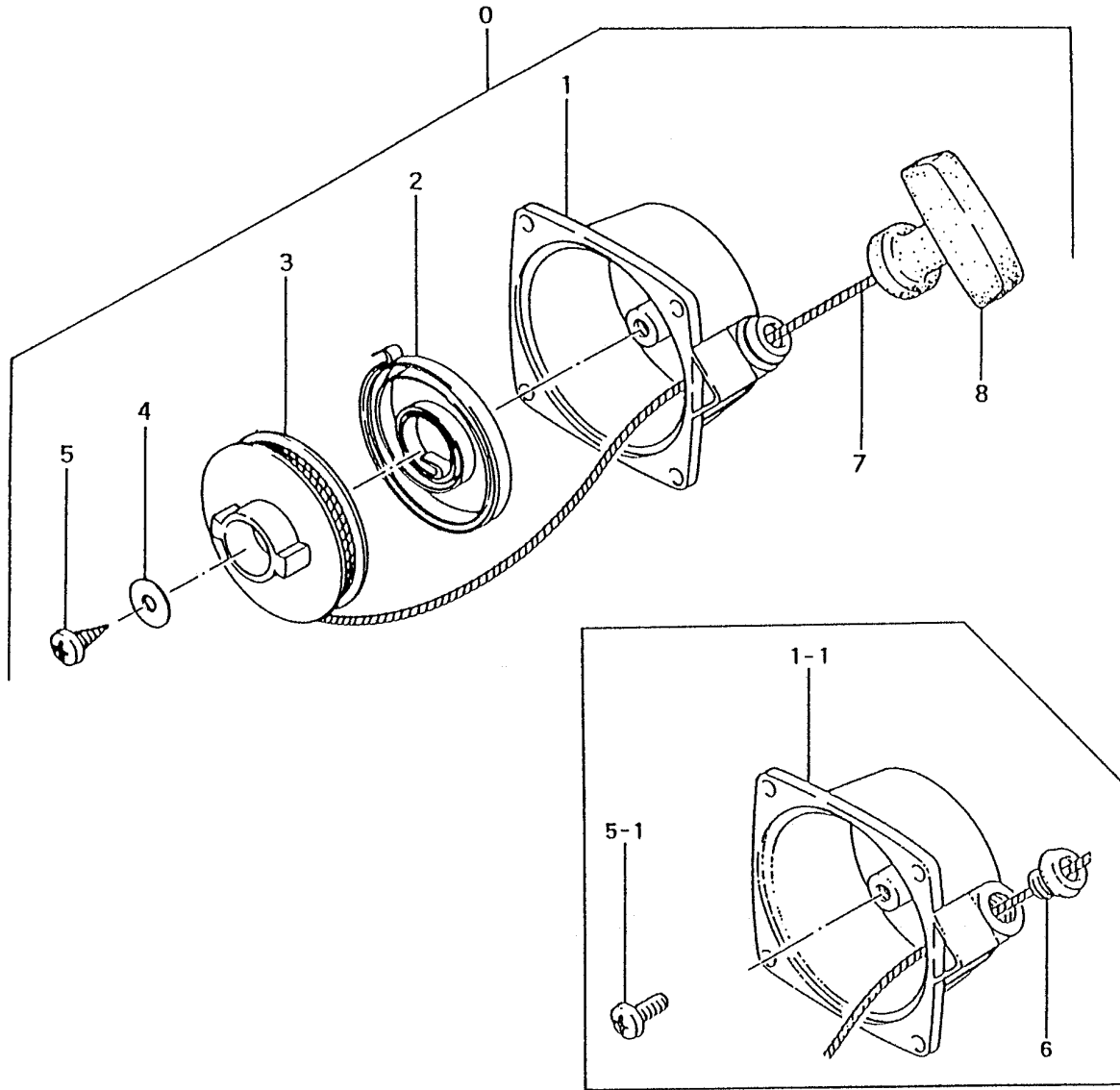


### CRANKCASE, MUFFLER, AIR CLEANER, FUEL SYSTEM • FIGURE 2

ITEM	PART NUMBER	DESCRIPTION	QTY	COMMENTS
1	202-01003-201	GROMMET,SECONDARY CORD	1	
2	203-0631A-200	GROMMET	2	
6	738-0631A-201	PROTECTOR,MUFFLER	1	
7	994-15040-222	SCREW,PS,4X22	2	
8	994-15040-122	SCREW,4X12/PS	2	
16	990-51050-503	BOLT,HEX,5X50	2	
18	992-01050-011	WASHER,5	2	
19	706-0631A-802	MUFFLER	1	
20	751-04200-201	GASKET,MUFFLER	2	
21	732-0631A-200	ARRESTER,SPARK	1	
22-1	734-0631A-20	PIPE,TAIL	1	Before S/N R142310
22	734-0099F-20	PIPE,TAIL	1	S/N R142311 and after
23	994-14040-081	SCREW,4X8	2	
26	133-0631A-201	SHIELD,HEAT	1	
27	737-06100-21	GASKET,MUFFLER	1	
31	359-02103-200	WASHER,CLUTCH,B	2	
32	290-01620-800	SHOE,CLUTCH	2	
33	342-0630B-200	SPRING,CLUTCH	1	
34	348-0602R-200	WASHER,CLUTCH A	2	
35	357-0075T-200	BOLT,STEP	2	
36	994-14050-202	SCREW,5X20/S	2	
37	994-14050-352	SCREW,5X35/S	2	
38	992-05080-030	WASHER,8	2	
41	403-0631A-204	GASKET,INLET MANIFOLD	1	
42	404-0631A-800	INSULATOR,CARBURETOR	1	
43	992-00050-011	WASHER,SMALL,5	2	
44	992-10050-012	WASHER,S,5	2	
45	990-11050-221	SCREW,5X22	2	
46	402-0602K-21	GASKET,CARBURETOR	1	
47	991-01060-013	NUT,6	1	
51	431-0602K-200	GASKET,CLEANER	1	
53-1	423-0631A-201	BODY,CLEANER	1	Before S/N N206650
53	423-0637C-800	BODY,CLEANER	1	S/N N206651 and after
54	381-0631A-200	NUT,SPECIAL	1	
55-1	528-0631A-200	PLATE,CHOKE	1	Before S/N N206650
55	528-00980-200	PLATE,CHOKE	1	S/N N206651 and after
56	992-01040-011	WASHER,4	2	
57	992-10040-012	WASHER,S,4	2	
58	990-11040-081	SCREW,4X8	1	
61-1	446-0631A-200	ELEMENT,CLEANER	1	Before S/N N206650
61	446-0637C-200	ELEMENT,CLEANER	1	S/N N206651 and after
62	476-01800-200	BOARD,BLOW OVER CHECK	1	
63	470-0602N-200	COLLAR,CLEANER	2	Before S/N N206650
63	470-0602N-200	COLLAR,CLEANER	1	S/N N206651 and after

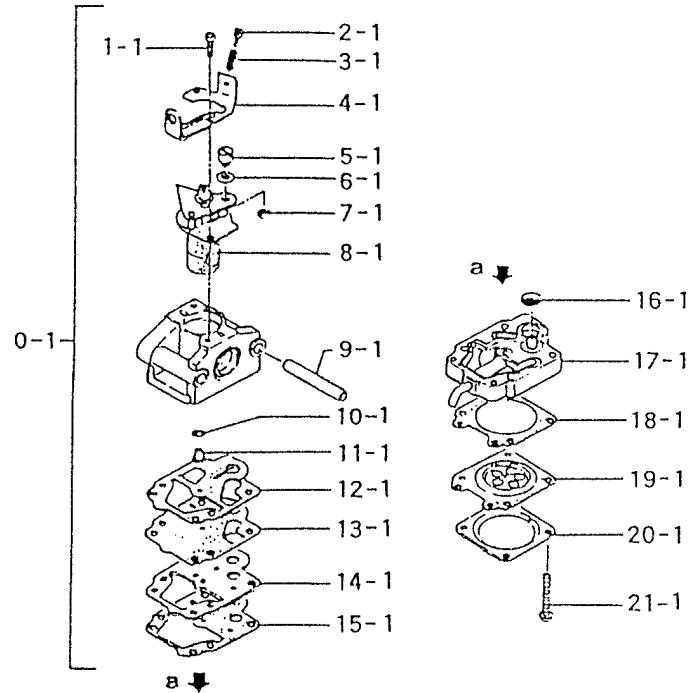
### CRANKCASE, MUFFLER, AIR CLEANER, FUEL SYSTEM • FIGURE 2

ITEM	PART NUMBER	DESCRIPTION	QTY	COMMENTS
64	992-10050-012	WASHER,S,5	2	
65	990-11050-551	SCREW,5X55	2	Before S/N L079720
65	990-11050-571	SCREW,5X57	2	S/N L079721 and after
66-1	452-0631A-21	COVER,CLEANER	1	Before S/N N206650
66	452-0637C-21	COVER,CLEANER	1	S/N N206651 and after
67-1	380-0631A-200	BOLT,CLEANER COVER	1	Before S/N N206650
67	380-0637C-200	BOLT,CLEANER COVER	1	S/N N206651 and after
68	999-67008-012	O-RING,S-8	1	
69	992-00050-011	WASHER,SMALL,5	2	
70	436-0162V-20	BASE,CLEANER	1	
71	990-11030-101	SCREW,3X10	2	
72	990-11030-121	SCREW,3X12	2	
73	992-00030-011	WASHER,3	2	
74	476-25016-200	COVER,DIAPHRAGM	1	
75	447-25108-200	BULB,PRIMING	1	
76-1	442-25105-81	BODY,PRIMING	1	Before S/N N206650
76	442-25143-800	PUMP,PRIMING	1	S/N N206651 and after
77	991-01030-011	NUT,3	4	
78-1	700-03005-130	PIPE,FUEL,3X5X130	1	Before S/N N206650
78	700-02504-080	PIPE,FUEL,2.5X4X80	2	S/N N206651 and after
79-1	222-06300-200	GROMMET,FUEL PIPE	1	Before S/N N206650
79	534-32710-200	GROMMET,FUEL PIPE	1	S/N N206651 and after
80	700-02504-110	PIPE,FUEL,2.5X4X110	1	
81	495-25130-200	ELBOW,PRIMING BODY	1	
86	223-0162V-900	PIPE,FUEL,ASS'Y	1	
87	680-00731-201	CLIP 6.3	1	
89	675-04042-80	FILTER,FUEL	1	
91-1	591-0633R-21	TANK,FUEL	1	Before S/N N206650
91	591-0637C-21	TANK,FUEL	1	S/N N206651 and after
92-1	595-0423Q-90	CAP,TANK	1	Before S/N N206650
92	595-0650A-90	CAP,TANK	1	S/N N206651 and after
96	655-00940-201	CUSHION,FUEL TANK	4	
97	653-0631A-200	BRACKET,TANK	1	
98	994-15040-222	SCREW,PS,4X22	4	
99	992-10030-012	WASHER,S.,3	4	Before S/N N206650

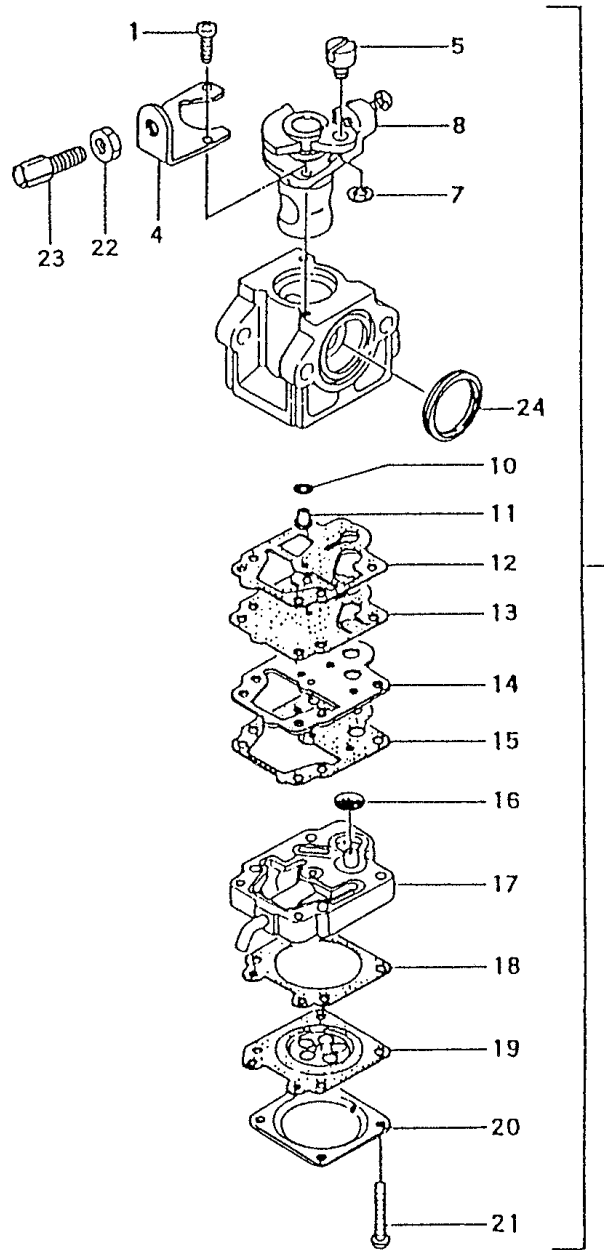


ITEM	PART NUMBER	DESCRIPTION	QTY	COMMENTS
0	762-06097-902	STARTER,RECOIL ASS'Y	1	
1-1	772-06097-202	BODY,RECOIL STARTER	1	Before S/N L170133
1	772-06097-80	BODY,RECOIL STARTER	1	S/N L170134 and after
2	780-06097-200	SPRING,RECOIL	1	
3	774-06097-200	PULLEY,STARTER	1	
4	801-06091-200	WASHER,ROPE REEL	1	
5-1	990-15050-121	SCREW,5X12	1	Before S/N L170133
5	839-00025-200	SCREW,SET	1	S/N L170134 and after
6	782-06097-200	RECEIVER,ROPE	1	Before S/N L170133
7	783-06097-200	ROPE,STARTER	1	
8	785-06097-200	HANDLE,STARTER	1	



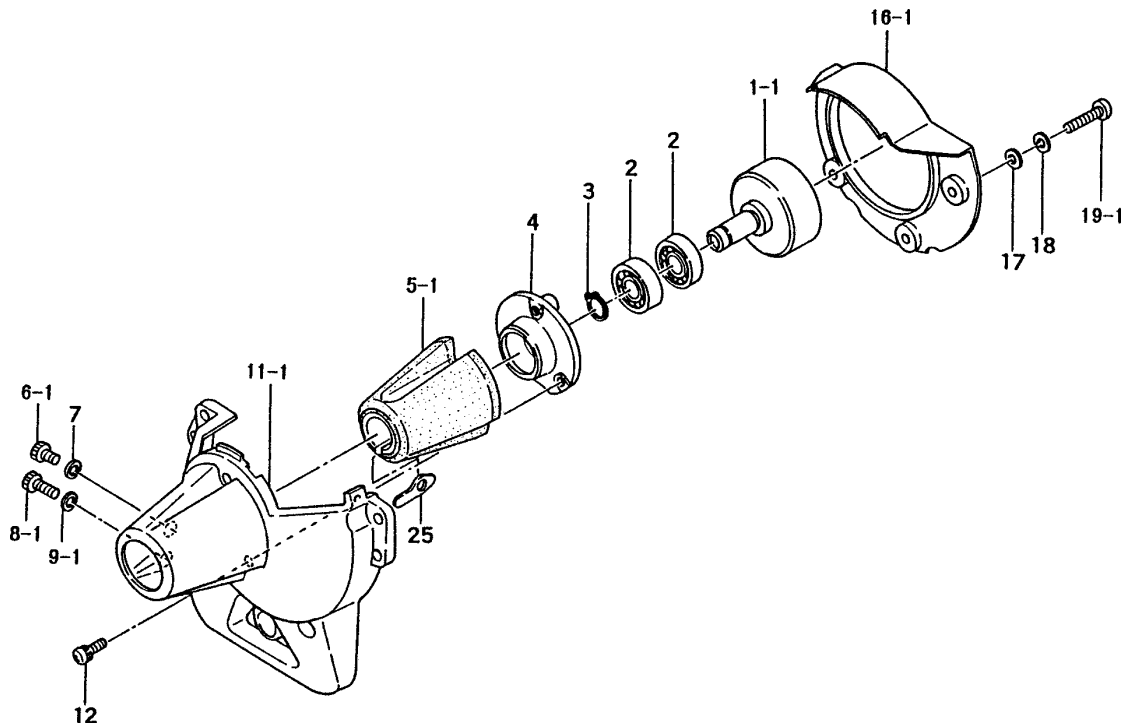


ITEM	PART NUMBER	DESCRIPTION	QTY	COMMENTS
0-1	455-25131-91	CARBURETOR,ASS'Y	1	Units prior to S/N ~J068351
1-1	514-25100-200	SCREW,THROTTLE SET	2	
2-1	462-25100-20	SCREW,IDLE ADJUST	1	
3-1	463-25100-200	SPRING,IDLE ADJUST	1	
4-1	544-25100-200	STAY,ADJUST	1	
5-1	539-25101-200	SWIVEL	1	
6-1	549-25100-200	WASHER,THRUST	1	
7-1	489-25100-200	RING,STOP	1	
8-1	488-25100-810	VALVE,THROTTLE	1	Before S/N G231370
8-1	488-25106-800	VALVE,THROTTLE	1	S/N G231371 and after
9-1	437-25100-200	SLEEVE	2	
10-1	550-25100-200	O-RING	1	
11-1	599-200AW-42	JET,MAIN,#42	1	Before S/N G231370
11-1	599-2000W-440	JET,MAIN,#44	1	S/N G231371 and after
12-1	577-25100-200	GASKET,PUMP	1	
13-1	~	*DIAPHRAGM,PUMP	1	~Contained in Carb Kit 650-25100-910
14-1	~	*PLATE,PUMP	1	Not available individually
15-1	522-25100-200	PLATE,CIRCUIT	1	
16-1	~	*SCREEN,INLET	1	
17-1	575-25105-800	BODY,PUMP	1	
18-1	~	*GASKET,DIAPHRAGM	1	
19-1	~	*DIAPHRAGM,METERING	1	
20-1	476-25004-200	COVER,DIAPHRAGM	1	
21-1	548-25101-200	SCREW,SET	4	



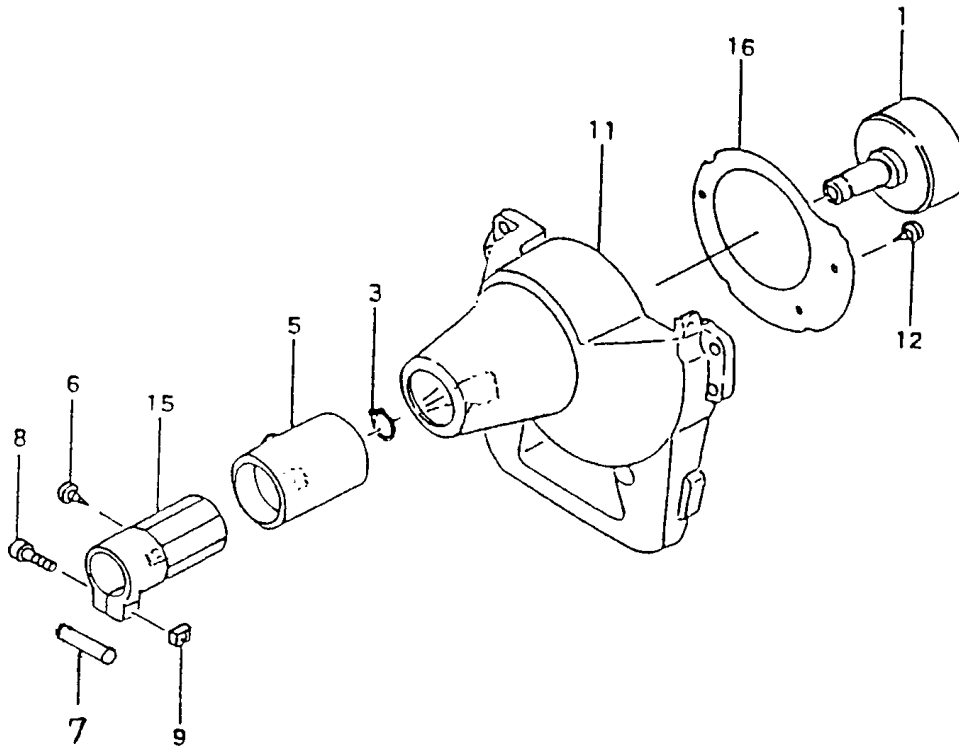
ITEM	PART NUMBER	DESCRIPTION	QTY	COMMENTS
0	455-25178-90	CARBURETOR,ASS'Y	1	S/N R142311 and after
0	455-25162-90	CARBURETOR,ASS'Y	1	From S/N J068352 to R142310
1	514-25100-200	SCREW,THROTTLE SET	2	
4	544-25120-200	STAY,ADJUST,CABLE	1	Before S/N R142310
4	544-25164-200	STAY,ADJUST,CABLE	1	S/N R142311 and after
5	539-25120-200	SWIVEL	1	
7	489-25100-200	RING,STOP	1	
8	488-25129-800	VALVE,THROTTLE	1	Before S/N N206650
8	488-25120-900	VALVE,THROTTLE	1	From S/N N206651 to R142310
8	488-25120-900	VALVE,THROTTLE	1	Not available after S/N R142311
10	550-25100-200	O-RING	1	
11	599-2000W-440	JET,MAIN,#44	1	Before S/N R142310
11	599-2000W-430	JET,MAIN,#43	1	S/N R142311 and after
12	~ ~ ~	*GASKET,PUMP	1	~ <b>Contained in Carb Kit 650-25124-910</b> <b>Not available individually</b>
13	~ ~ ~	*DIAPHRAGM,PUMP	4	
14	523-25100-201	PLATE,PUMP	2	
15	522-25100-200	PLATE,CIRCUIT	1	
16	~ ~ ~	*SCREEN,INLET	1	
17	575-25130-800	BODY,PUMP	1	
17	575-25161-80	BODY,PUMP	1	S/N N206651 and after
18	~ ~ ~	*GASKET,DIAPHRAGM	1	
18	~ ~ ~	*GASKET,PUMP	1	
19	~ ~ ~	DIAPHRAGM,METERING	1	
20	476-25004-200	COVER,DIAPHRAGM	1	
21	548-25101-200	SCREW,SET	1	
22	614-25137-200	ADJUSTER,CABLE	4	
23	991-01060-013	NUT,6	1	
24	431-0634C-200	GASKET,CLEANER	1	

#### Units Before S/N P156530

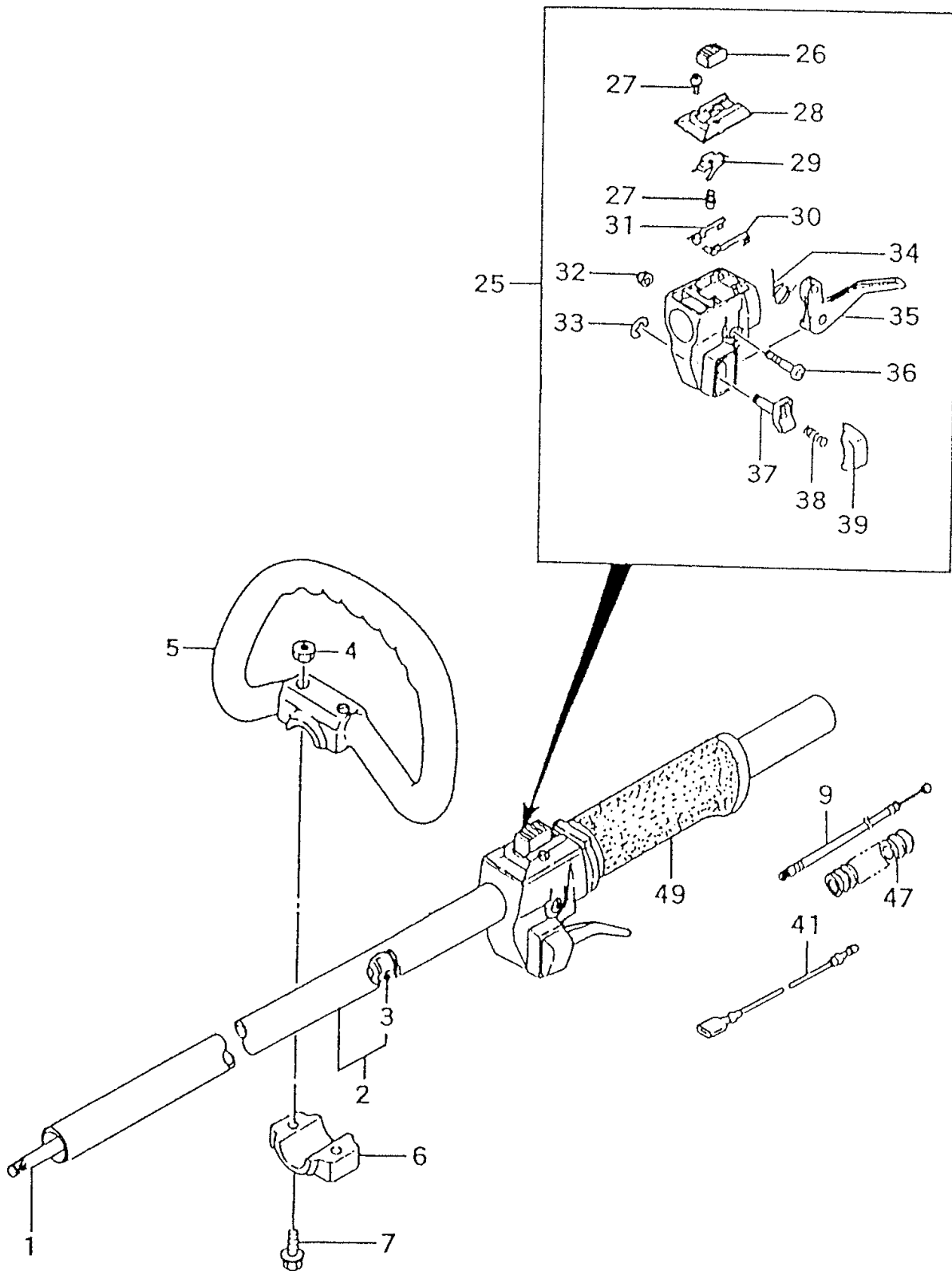


ITEM	PART NUMBER	DESCRIPTION	QTY	COMMENTS
1	289-0631A-802	DRUM, CLUTCH	1	Units prior to P156530
2	999-61600-102	BEARING, BALL, #6001Z	1	
3	993-50012-002	RING, STOP, C-12 EX	2	
4	374-0631A-20	FLANGE, CLUTCH	1	
5	599-0631A-802	CUSHION	1	
6	990-51050-103	BOLT, HEX HOLE, 5X10	1	
7	992-10050-062	WASHER, S, 5	1	
8	990-51050-203	BOLT, HEX HOLE, 5X20	1	
9	992-10050-062	WASHER, S, 5	1	
11	112-0631A-201	CASE, FAN	1	
12	994-14050-122	SCREW, S, 5X12	1	
16	091-0631A-200	SHIELD, HEAT	3	
17	992-01040-011	WASHER, 4	1	
18	992-10040-012	WASHER, S, 4	3	
19	990-11040-121	SCREW, 4X12	3	
25	249-0165A-21	SPACER	3	

#### Units after Serial Number P156531

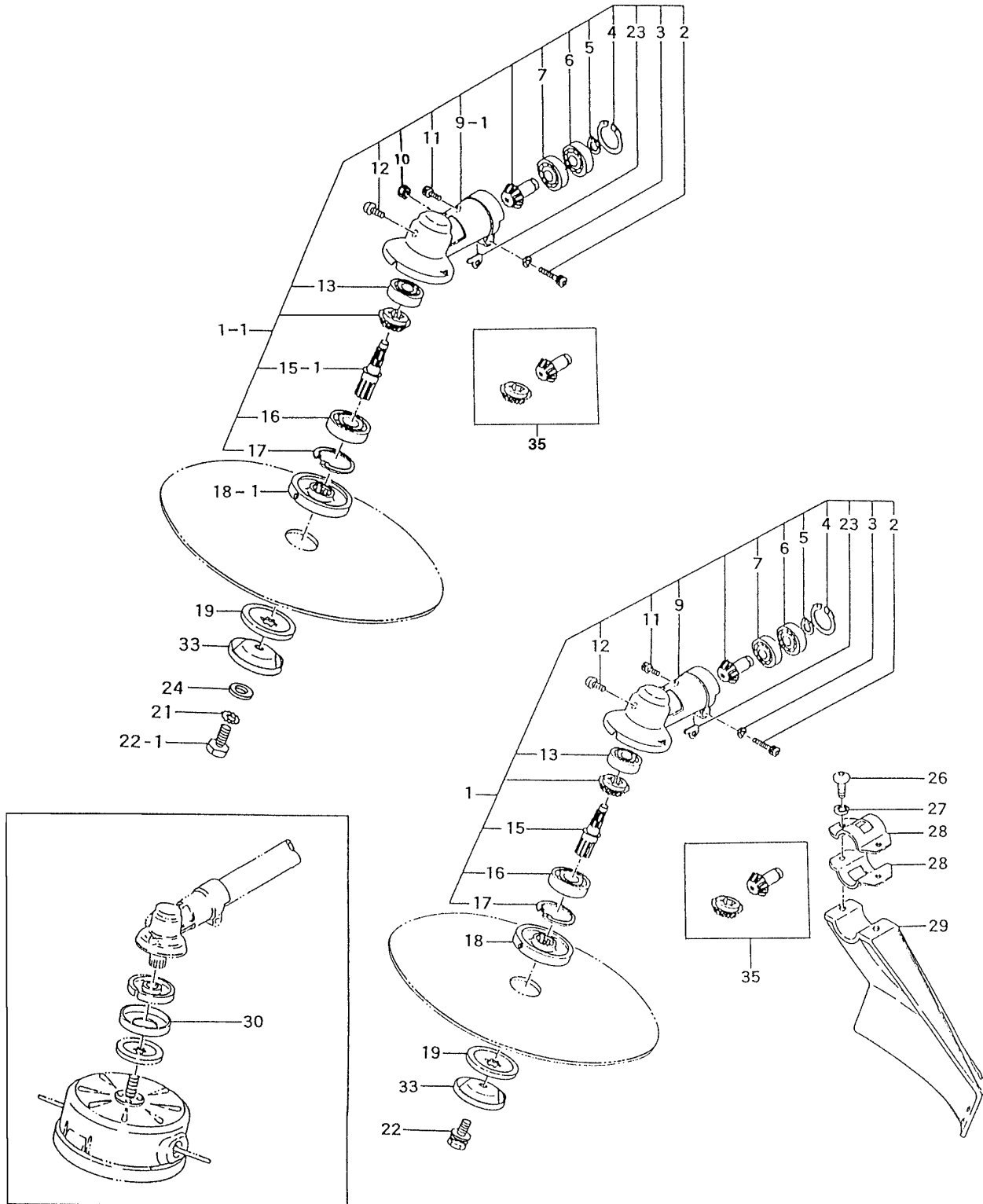


ITEM	PART NUMBER	DESCRIPTION	QTY	COMMENTS
1	289-00980-80	DRUM, CLUTCH	1	Units after Serial Number P156531
3	993-50012-002	RING, STOP, C-12 EX	1	
5	599-00980-20	CUSHION, RUBBER	1	Before S/N R288067
5	599-00980-21	CUSHION, RUBBER	1	S/N R288068 and after
6	990-73045-124	SCREW, TAPPING, 4.5X12	1	Before S/N R288067
6	990-74045-164	SCREW, TAPPING 4.5x16	1	S/N R288068 and after
7	096-04300-20	COLLAR 6.3x18	1	S/N R288068 and after
8	990-54050-203	BOLT, HEX, 5X20	1	Before S/N R288067
8	990-54050-253	BOLT, HEX 5x25	1	S/N R288068 and after
11	991-91050-001	NUT, 5	1	Before S/N R288067
11	112-00980-81	CASE, FAN (Includes Bearings)	1	S/N R288068 and after
12	990-72045-164	SCREW, TAPPING, 4.5X16	1	
15	360-00980-20	HOLDER, PIPE	3	Before S/N R288067
15	360-00980-21	HOLDER, PIPE	1	S/N R288068 and after
16	091-00980-20	SHIELD, HEAT	1	
00	112-00980-00	SET, FAN CASE - Used to update older units	1	From S/N P156531 to S/N R288067 Includes clutch drum & anti-vibe parts



### HANDLE, THROTTLE LEVER • FIGURE 6

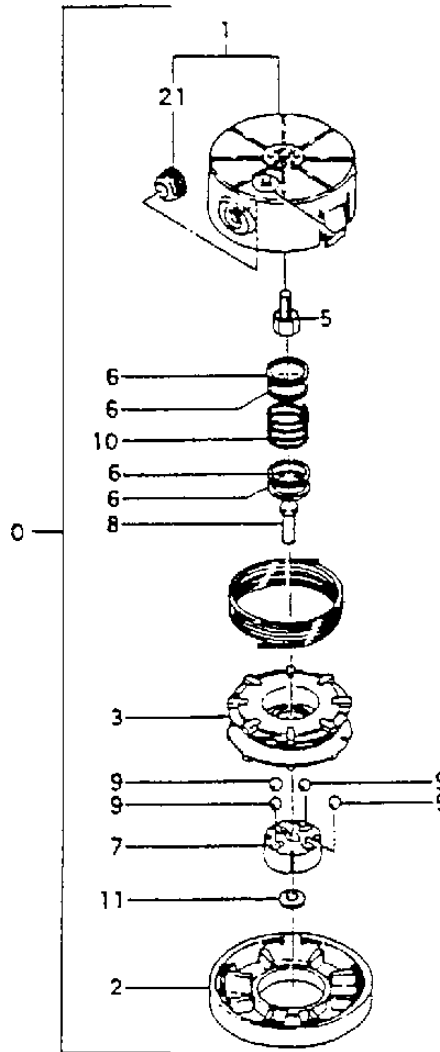
ITEM	PART NUMBER	DESCRIPTION	QTY	COMMENTS
1	343-37300-200	SHAFT,DRIVE	1	
2	341-37601-81	PIPE,DRIVE SHAFT	1	
3	347-37601-900	BUSHING,ASS'Y	1	
4	991-01060-041	NUT,6	5	
5	500-37300-200	HANDLE,D	2	
6	506-37300-200	BRACKET,HANDLE,A	1	
7	990-23060-351	BOLT,6X35 PLUS	1	
9	885-0631A-802	WIRE,THROTTLE	2	Before S/N N197700
9	885-37394-80	WIRE,THROTTLE	1	S/N N197701 and after
25	870-37300-900	LEVER,THROTTLE ASSY	1	
26	162-37101-200	SWITCH,STOP	1	
27	993-42030-081	SCREW, TAPPING, 3X8	2	
28	259-37101-200	BASE,STOP SWITCH	3	
29	262-37101-200	SPRING,STOP SWITCH	1	
30	177-37101-200	TERMINAL,EARTH B	1	
31	176-37101-200	TERMINAL,EARTH A	1	
32	991-86050-000	NUT,LOCK,5	1	
33	993-55060-001	RING,STOP,6	1	
34	832-37101-200	SPRING,RETURN	1	
35	880-37101-200	LEVER,THROTTLE	1	
36	994-31050-251	SCREW,S.,5X25	1	
37	853-37101-200	SHAFT,LOCK BUTTON	1	
38	958-37101-200	SPRING,LOCK,BUTTON	1	
39	956-37101-200	BUTTON,LOCK	1	
41	178-37300-801	CORD,STOP 230mm	1	Before S/N N197700
41	178-37394-80	CORD,STOP 430mm	2	S/N N197701 and after
47	164-13014-010	TUBE,PROTECTION	2	Before S/N N197700
47	164-10019-00	TUBE,PROTECTION	1	S/N N197701 and after
49	504-37300-200	GRIP,SHAFT	1	





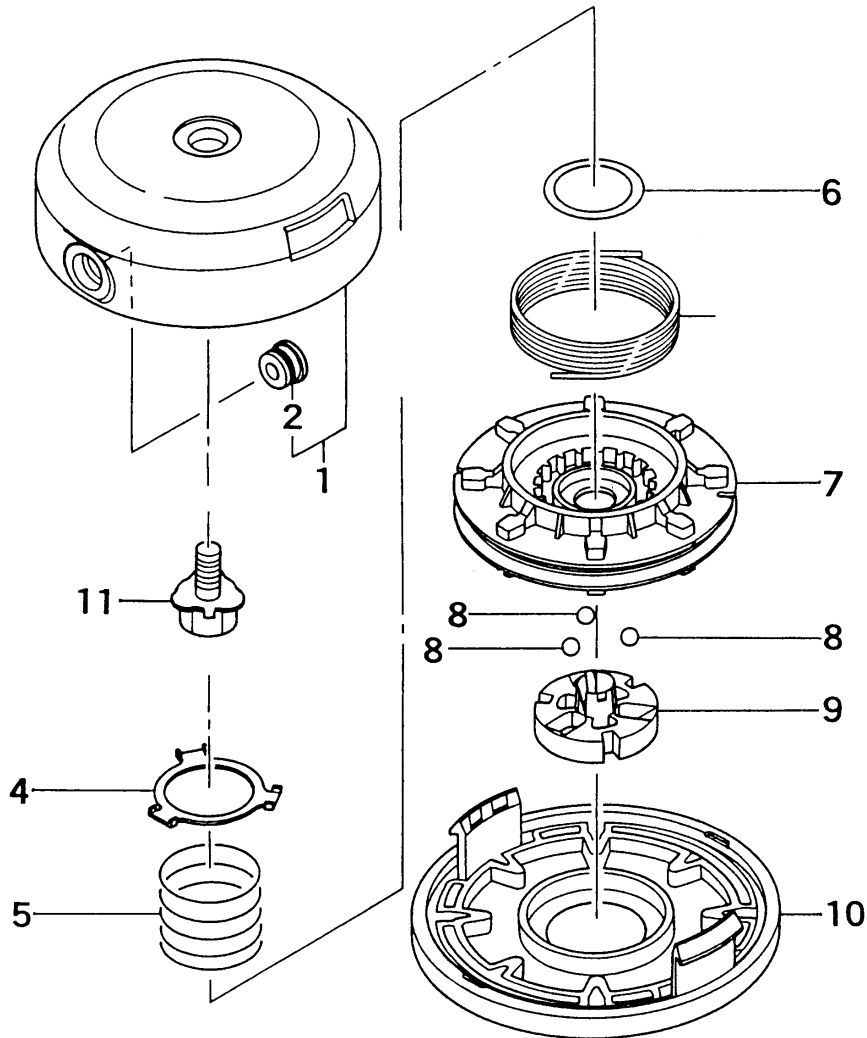
### GEAR CASE, SAFETY GUARD • FIGURE 7

ITEM	PART NUMBER	DESCRIPTION	QTY	COMMENTS
1-1	300-37300-900	CASE, GEAR, ASS'Y	1	Before S/N J245810
1	300-37307-91	CASE, GEAR ASS'Y	1	S/N J245811 and after
2	990-51050-253	BOLT, HEX, 5X25	1	
3	992-10050-062	WASHER, S, 5	1	
4	993-53022-002	RING, STOP, R22 IN	1	
5	993-50010-002	RING, STOP, C-10 EX	1	
6	999-61690-001	BEARING, BALL, #6900ZZ	1	
7	999-61690-000	BEARING, BALL, #6900	1	
9-1	300-37300-000	CASE, GEAR	1	Before S/N J245810
9	300-37307-20	CASE, GEAR	1	S/N J245811 and after
10	991-01050-041	NUT, 5	1	
11	990-51050-103	BOLT, HEX HOLE, 5X10	1	
12	990-14080-104	SCREW, 8X10	1	
13	999-61626-000	BEARING, BALL, #626	1	
15-1	304-37300-201	SHAFT, GEAR	1	Before S/N J245810
15	304-37307-200	SHAFT, GEAR	1	S/N J245811 and after
16	999-61600-104	BEARING, BALL, #6001DD	1	
17	993-51028-002	RING, STOP, IN, C-28	1	
18-1	310-37300-210	HOLDER, CUTTER	1	Before S/N J245810
18	310-37623-202	HOLDER, CUTTER	1	S/N J245811 and after
19	311-37300-203	CAP, CUTTER	1	
21	992-29080-000	WASHER, TOOTHED LOCK, 8	1	Before S/N J068351
22	312-33386-20	BOLT, FIXING, L.H., FLANGED	1	
23	324-37350-20	WASHER, GEAR CASE	1	
24	992-01080-011	WASHER, 8	1	Before S/N J068351
26	990-53060-153	BOLT, HEX, 6X15	1	
27	992-10060-062	WASHER, S, 6	2	
28	442-33905-201	BRACKET, SAFETY GUARD	2	
29	441-33905-800	GUARD, SAFETY	2	
30	307-37301-201	PROTECTOR, WINDING	1	Before S/N J245810
33	316-33410-200	PROTECTOR, BOLT	1	
35	301-37300-01	SET, GEAR/PINION	1	



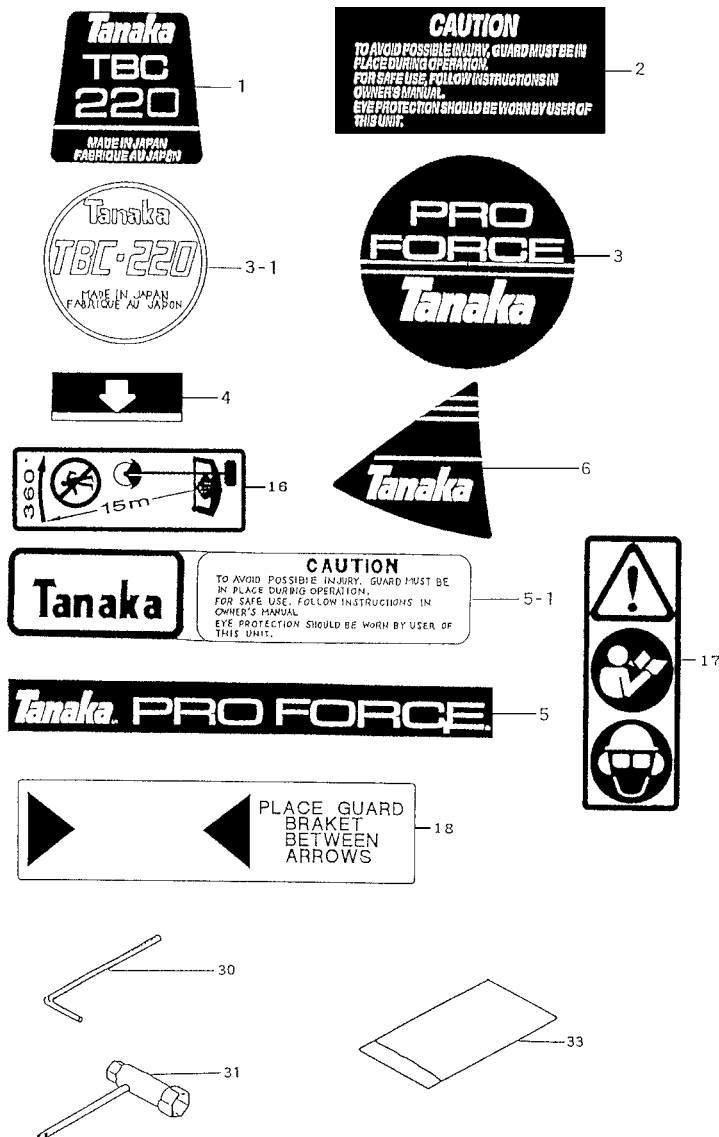
For optimum performance, always reload using Tanaka Copolymer Nylon Line

ITEM	PART NUMBER	DESCRIPTION	QTY	COMMENTS
0	746251	HEAD,BRAIN (TH-95)	1	
1	78633004900	BODY,CUTTING,ASS'Y	1	
2	7893300421	CAP,BODY	1	
3	78733004202	REEL,(R S M X)	1	
5	3143367020	BOLT,8X1.25 LH	1	
6	79233004200	WASHER,REEL	4	
7	79033004200	SLIDER,REEL	1	
8	79133004200	HOOK,REEL SLIDER	1	
9	6733560020	BALL,STEEL	4	
10	7933391020	SPRING,REEL,SILVER	1	
11	35802103200	WASHER,CLUTCH A	1	
21	7883307120	EYELET	2	



**For optimum performance, always reload using Tanaka Copolymer Nylon Line**

ITEM	PART NUMBER	DESCRIPTION	QTY	COMMENTS
	746751	HEAD, BRAIN (TH-97)	1	Units prior to S/N V223977
1	7863381091	CUTTING BODY ASS'Y	1	
2	7883307120	EYELET	2	
3	7603381020	WASHER, MOUNTING	1	
4	7853381020	BASE, ADJUSTMENT	1	
5	7933381022	SPRING, REEL, YELLOW	1	
6	7923381020	WASHER, ADJUSTMENT	1	
7	7873381020	REEL	1	
8	6733560020	BALL, STEEL	3	
9	7903381020	SLIDER, REEL	1	
10	7893381020	CAP, BODY	1	
11	3143381280	MOUNTING BOLT	1	
12	3153381080	MOUNTING NUT	1	
-	3153382280	MOUNTING NUT 8X1.25 RH	1	



ITEM	PART NUMBER	DESCRIPTION	QTY	COMMENTS
1	906-37301-200	DECAL,TBC-220	1	
2	919-37701-200	DECAL	1	
3-1	906-0631A-200	DECAL	1	Before S/N H270490
3	950-37503-200	DECAL,PRO-FORCE A	1	S/N H270491 and after
4	923-37400-200	DECAL,LEVEL	1	
5-1	929-33576-201	DECAL,SYMBOL	1	S/N H270491 and after
5	951-31310-200	DECAL,PRO-FORCE B	2	S/N J068351 and after
6	933-37301-200	DECAL,SYMBOL	1	
16	919-37286-20	DECAL,CAUTION	1	
17	920-32466-20	DECAL,CAUTION	1	
18	923-37286-20	DECAL,LEVEL	1	
30	813-20000-200	WRENCH,HEX,4	1	
31	829-20000-80	SPANNER,COMBI,13X19	1	
31	826-20000-20	SPANNER,COMBI,17X19	1	
33	948-32310-200	BAG,TOOL	1	