

Tanaka Illustrated Parts Manual

Model Number:

TBC-2251

GRASS TRIMMER

P/N 29702

Rev 000

Date 06-30-00



Supplier To The Outdoor Power Equipment Industry

ISM, Inc. • 1028 4th Street SW • Auburn, WA 98001 • Phone: (253) 333-1200 • Fax: (253) 333-1212

TBC-2251
Curved Shaft Grass Trimmer



Features / Benefits

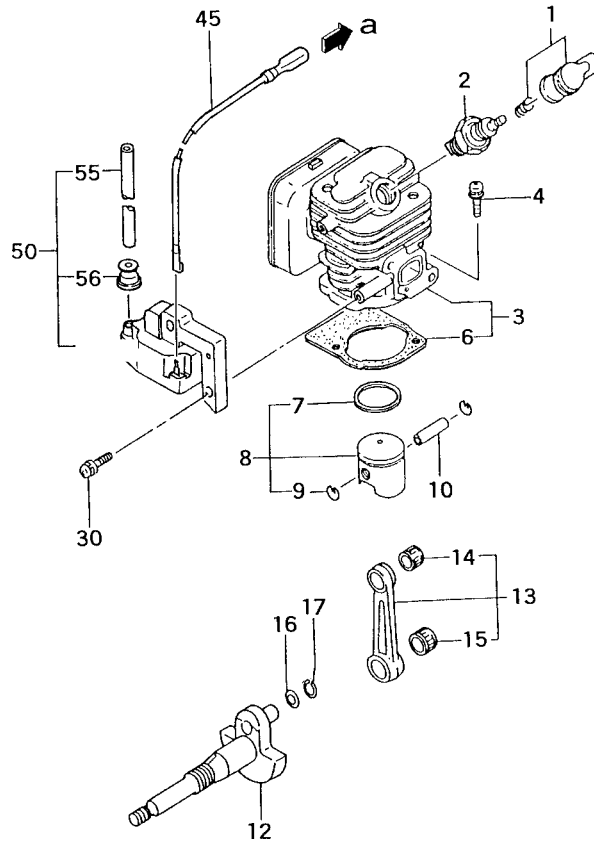
- **21cc, 1.1 hp engine** consists of high quality components including a stress relieved, chrome plated cylinder, and primer pump.
- **Chrome plated cylinder** maintains peak compression and high power output.
- **Anti-vibration system** includes a comfortable front handle and heavy-duty rubber mount between the engine and shaft.
- **Excellent power-to-weight** allows you to get the most work done with less fatigue.
- **2 / 5 Warranty Coverage** provides **Two-Year** Coverage for Homeowners and **Five Years** on the Electronic Ignition Module.

Specifications	
Engine Displacement cc (cu. in.)	21 (1.3)
Power (h.p.)	1.1
Cylinder	Chrome Plated, Stress Relieved
Carburetion	Walbro Diaphragm with Primer
Ignition System	Transistorized Electronic
Fuel Tank Capacity / fl. oz. (cc)	11.2 (330)
Anti-Vibration	Engine Mount & Shaft
Clutch System	Heavy-Duty Centrifugal
Shaft Type	Curved
Drive System	7-Layer Flexible Cable
Standard Cutting Head	4" Semi-Automatic Feed (.095" Line)
Dry Weight / lbs. (kg) w/head	10.3 (4.7)

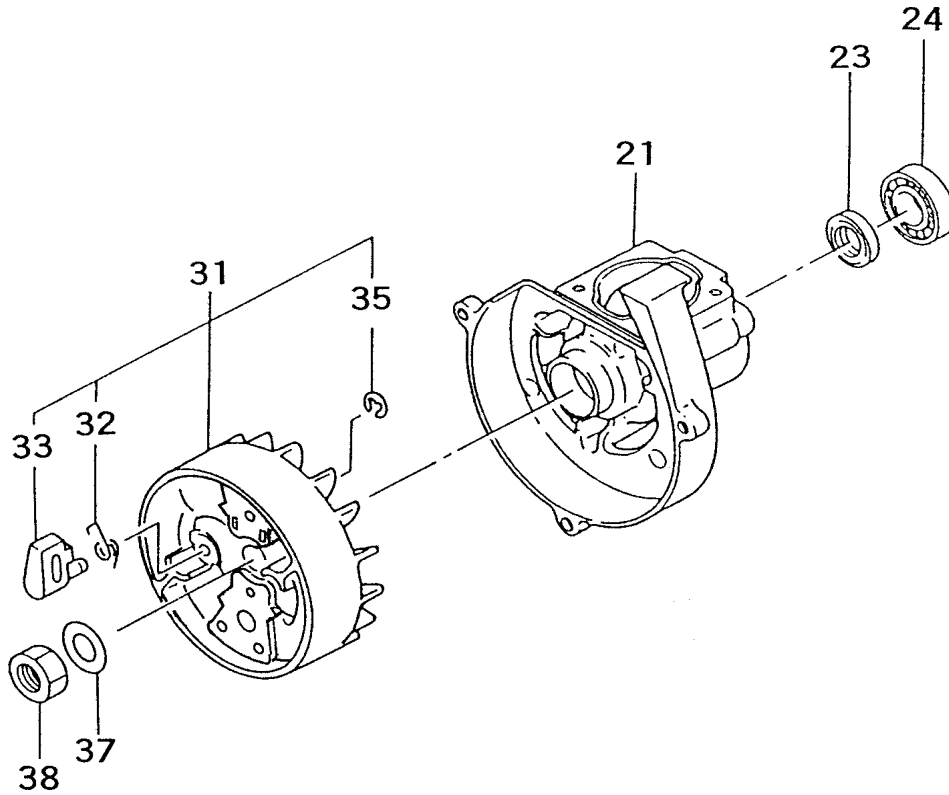
Optional Accessories:	
ORDER #	DESCRIPTION
746751	BRAIN™ automatic feed head
746191	Single Shoulder Strap
746291	Deluxe shoulder harness
Varies	Copolymer Nylon Cutting Line
Varies	Perfect Mix 2-Cycle Engine Oil

All data and specifications are subject to change without notice
For more information, contact:

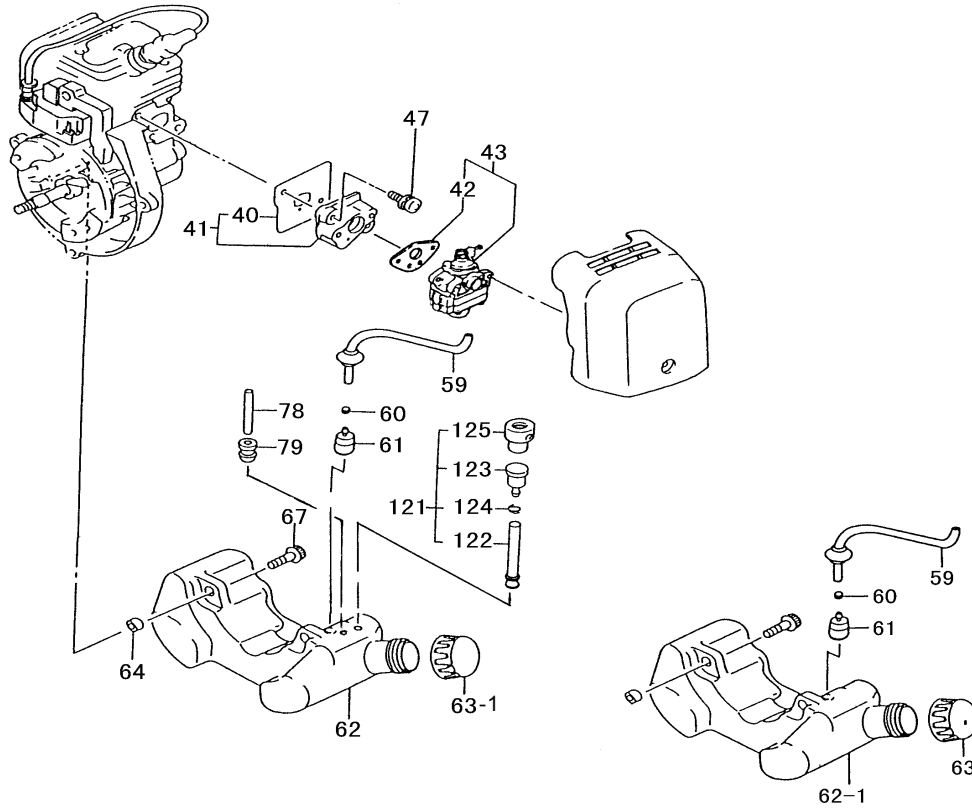
ENGINE / CYLINDER, PISTON, CRANKSHAFT • FIGURE 1



ITEM	PART NUMBER	DESCRIPTION	QTY	COMMENTS
1-1	15701570900	CAP, SPARK PLUG, ASS'Y	1	
1-2	01804075200	PLUG, SPARK	1	
1-3	0010007090	SET, CYLINDER	1	
1-4	99416050221	SCREW, 5X22/WS	2	
1-6	01700025200	GASKET, CYLINDER	1	
1-7	04100601210	RING, PISTON	1	
1-8	0300007090	SET, PISTON	1	
1-9	03901620200	CIRCLIP, PISTON PIN	2	
1-10	03706500200	PIN, PISTON	1	<i>! Piston Pin Not included in Piston Set !</i>
1-12	0460007080	CRANKSHAFT	1	Before S/N U115340
1-12	0460007081	CRANKSHAFT	1	S/N U115341 and after
1-13	0610007090	ROD, CONNECTING ASS'Y	1	Before S/N U115340
1-13	0610007080	ROD, CONNECTING	1	S/N U115341 and after
1-14	99962081225	BEARING, NEEDLE, F-810	1	
1-15	03800000200	BUSHING, PISTON PIN	1	Before S/N U115340
1-15	99962101042	BEARING, NEEDLE, HK1010	1	S/N U115341 and after
1-16	80110205202	WASHER, PULLEY	1	Before S/N U115340
1-17	99350010002	RING, STOP, C-10 EX	1	Before S/N U115340
1-30	99416040186	SCREW, WS, 4X18	2	
1-45	1790007080	STOP CORD, 220MM	2	
1-50	1672054090	COIL, IGNITION ASS'Y	1	
1-55	1782054020	CORD, HIGH TENSION	1	
1-56	56020517200	CAP, RUBBER	1	

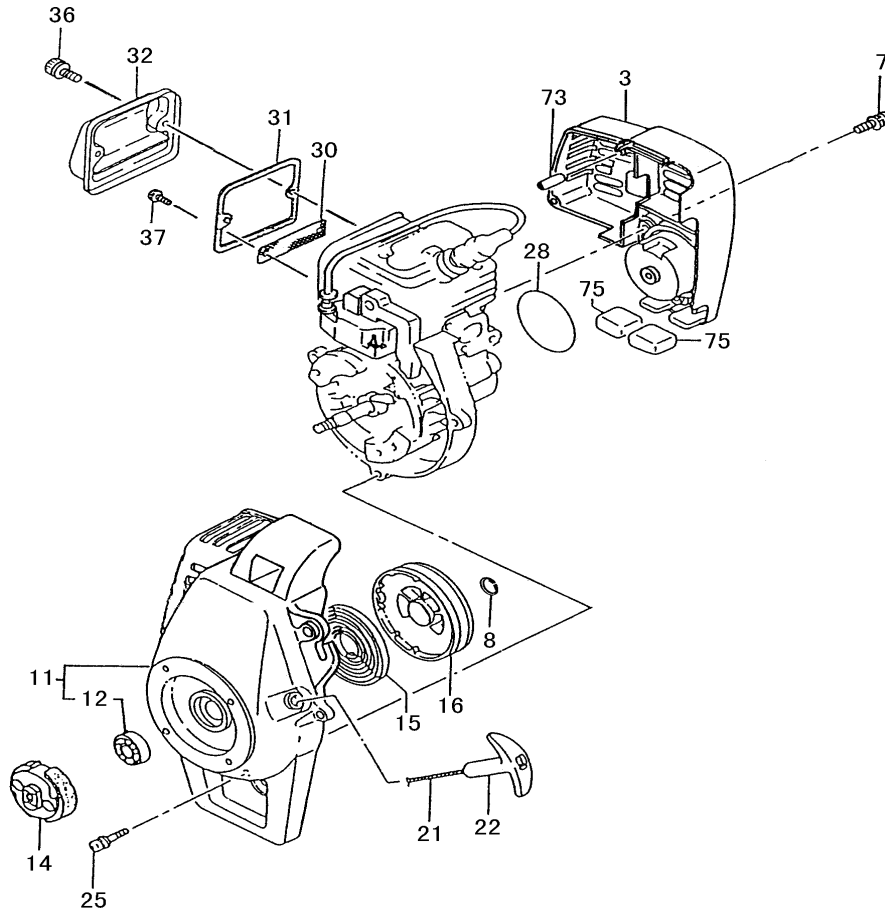


ITEM	PART NUMBER	DESCRIPTION	QTY	COMMENTS
2-21	0770002521	CRANKCASE	1	
2-23	99966152511	SEAL,OIL,#VE15X25X7	1	
2-24	99961600200	BEARING,BALL,#6002	1	
2-31	1552054090	ROTOR,MAGNETO ASS'Y	1	
2-32	7900174020	SPRING,STARTER PAWL	1	
2-33	7880174020	PAWL,STARTER	1	
2-35	99355040001	RING,STOP	1	
2-37	99200120011	WASHER,12	1	
2-38	99111120011	NUT,12	1	

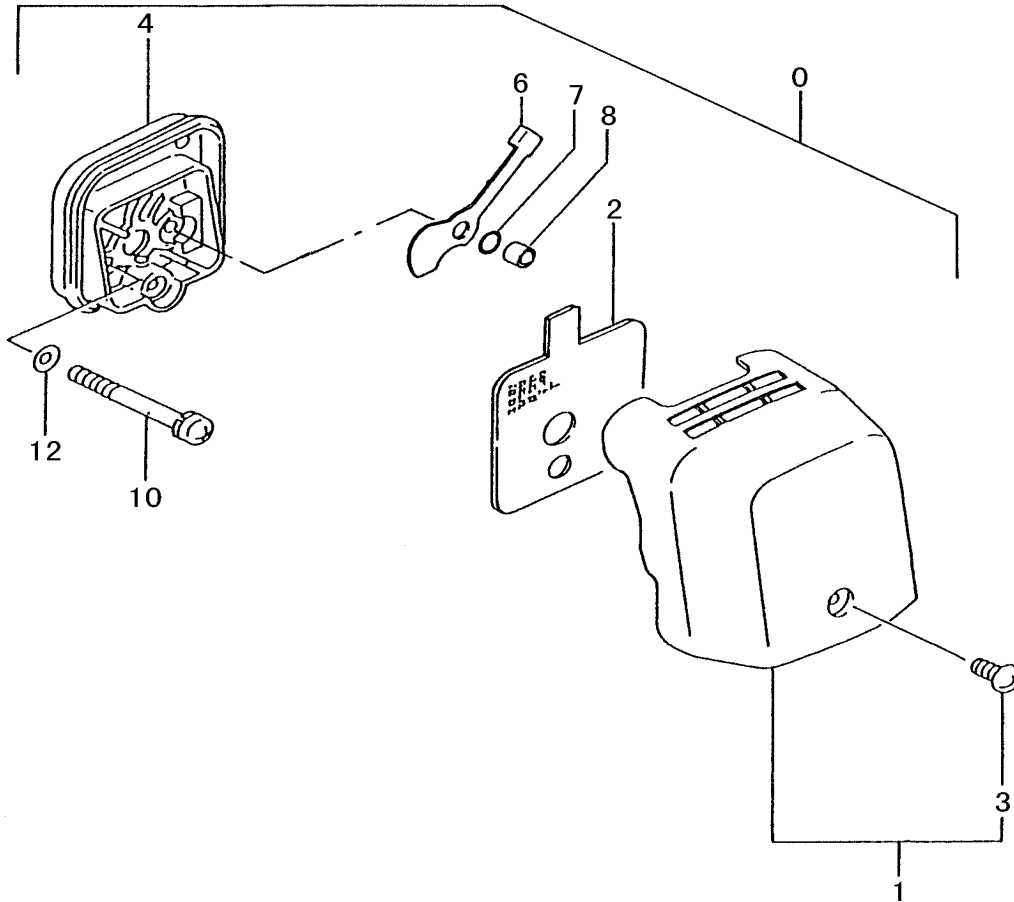


ITEM	PART NUMBER	DESCRIPTION	QTY	COMMENTS
3-40	4030631A20	GASKET,INLET MANIFOLD	1	
3-41	4040099F90	INSULATOR,CARBURETOR	1	
3-42	4020602K21	GASKET,CARBURETOR	1	
3-43	4550007090	CARBURETOR	1	Prior to S/N U242600
3-43	4550007190	CARBURETOR	1	After S/N U242601
2-47	99416050221	SCREW,5X22/WS	2	
3-59	2230650090	PIPE,FUEL,ASSY	1	
3-60	68000731201	CLIP 6.3	1	
3-61	6750404280	FILTER,FUEL	1	
3-62-1	5910002500	TANK,FUEL	1	Prior to S/N T213380
3-62	5910008320	TANK,FUEL	1	T213381 to U242600
3-62	5910007920	TANK,FUEL	1	S/N U242601 and after
3-63-1	5950650A90	TANK CAP	1	Prior to S/N T213380
3-63	5950656B90	CAP,FUEL BLACK,NON VENT	1	S/N T213381 and after
3-64	65900801200	COLLAR	2	
3-67	99463050185	BOLT,HEX 5X18PS	2	
3-78	70003005065	PIPE,FUEL,3X5X65	1	S/N U242601 and after
3-79	53432710200	GROMMET,FUEL PIPE	1	S/N U242601 and after
3-121	5640007090	VENT,AIR ASSY	1	S/N T213381 and after
3-122	5650503220	PIPE,AIR VENT	1	S/N T213381 and after
3-123	6463252L90	AIR VENT VALVE ASSY	1	S/N T213381 and after
3-124	68000731201	CLIP 6.3	1	S/N T213381 and after
3-125	5610007020	COVER,AIR VENT	1	S/N T244821 and after

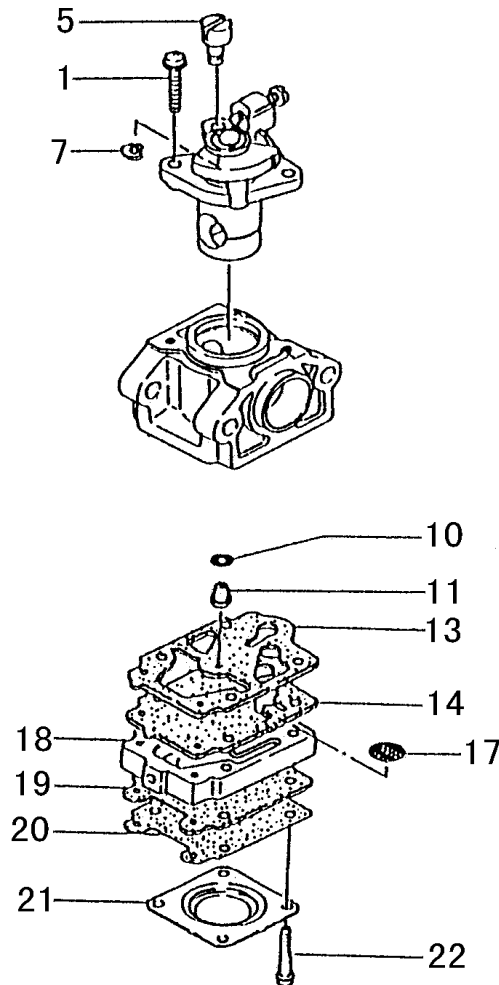
CLUTCH, MUFFLER, RECOIL STARTER • FIGURE 4



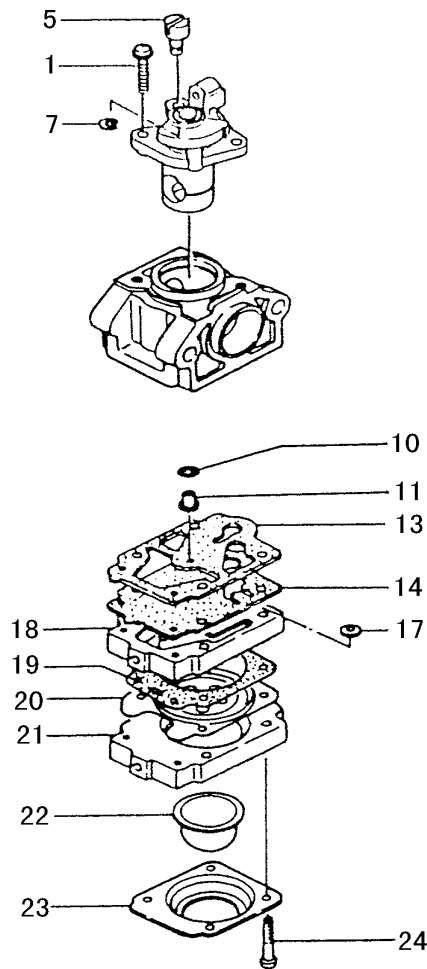
ITEM	PART NUMBER	DESCRIPTION	QTY	COMMENTS
4-3	7380007020	PROTECTOR,MUFFLER	1	
4-7	99463050204	BOLT, HEX 5X20	3	
4-8	99352017002	RING,STOP,S17 EX	1	
4-11	1120007080	CASE,FAN	1	
4-12	99961600001	BEARING,BALL,#6000ZZ	1	
4-14	2770635M800	CLUTCH,ASS'Y	1	
4-15	7790700020	SPRING,RECOIL	1	
4-16	7740700020	PULLEY,STARTER	1	
4-21	7830174020	ROPE,STARTER,3X890	1	
4-22	7850700020	HANDLE,STARTER	1	
4-25	99415050252	SCREW,PS,5X25	3	
4-28	99967048012	O-RING,S-48	1	
4-30	73200025200	SPARK ARRESTER SCREEN	1	
4-31	7390002520	GASKET,MUFFLER	1	
4-32	7170002590	MUFFLER BODY, B	1	
4-36	99460050104	BOLT,HEX 5x10W	2	
4-37	99051040083	BOLT,HEX.HOLE 4X8	2	
4-73	7001500701	PIPE,RUBBER	1	
4-75	65506400200	CUSHION,TANK	1	



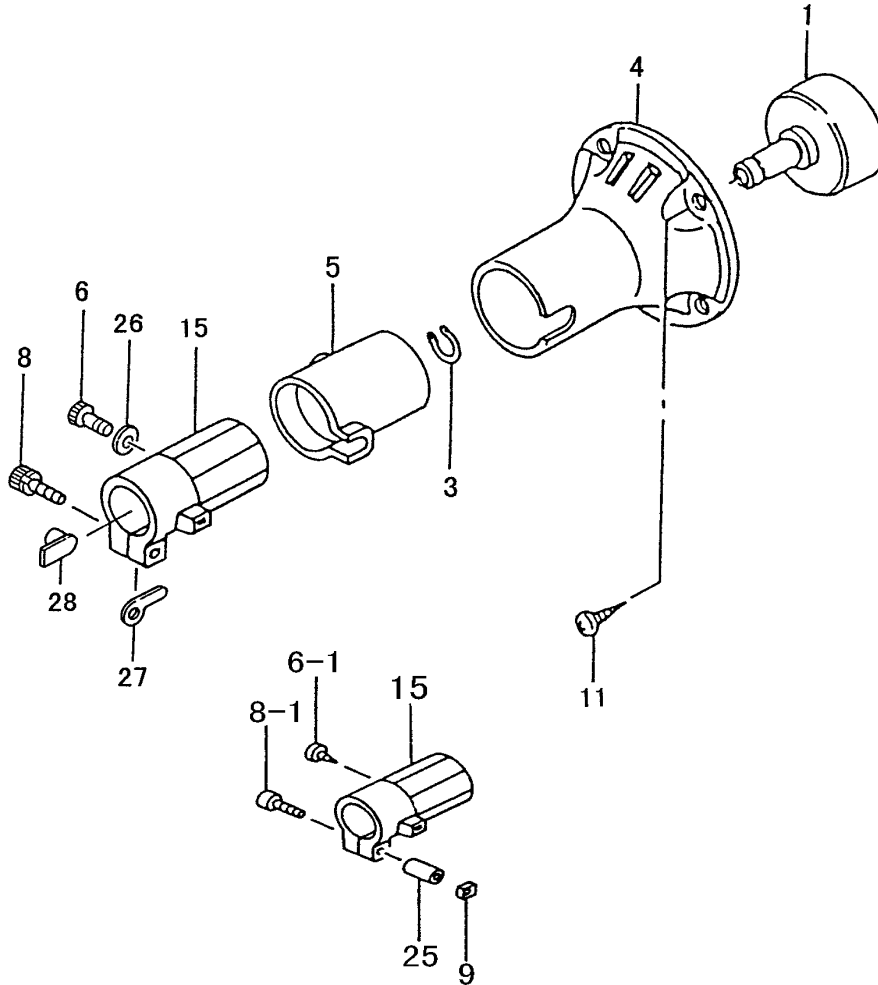
ITEM	PART NUMBER	DESCRIPTION	QTY	COMMENTS
5-0	4100007090	CLEANER,AIR ASS'Y	1	
5-1	4520007090	SET.AIR CLEANER	1	
5-2	4210007020	ELEMENT,CLEANER	1	
5-3	3800637C200	BOLT,CLEANER COVER	1	
5-4	4230007080	BODY,CLEANER	1	
5-6	5280007020	VALVE,CHOKE	1	
5-7	99204080030	WASHER,8	1	
5-8	47006500200	COLLAR	1	
5-10	99414050571	SCREW,5X57,S	1	
5-12	99201050011	WASHER,5	1	



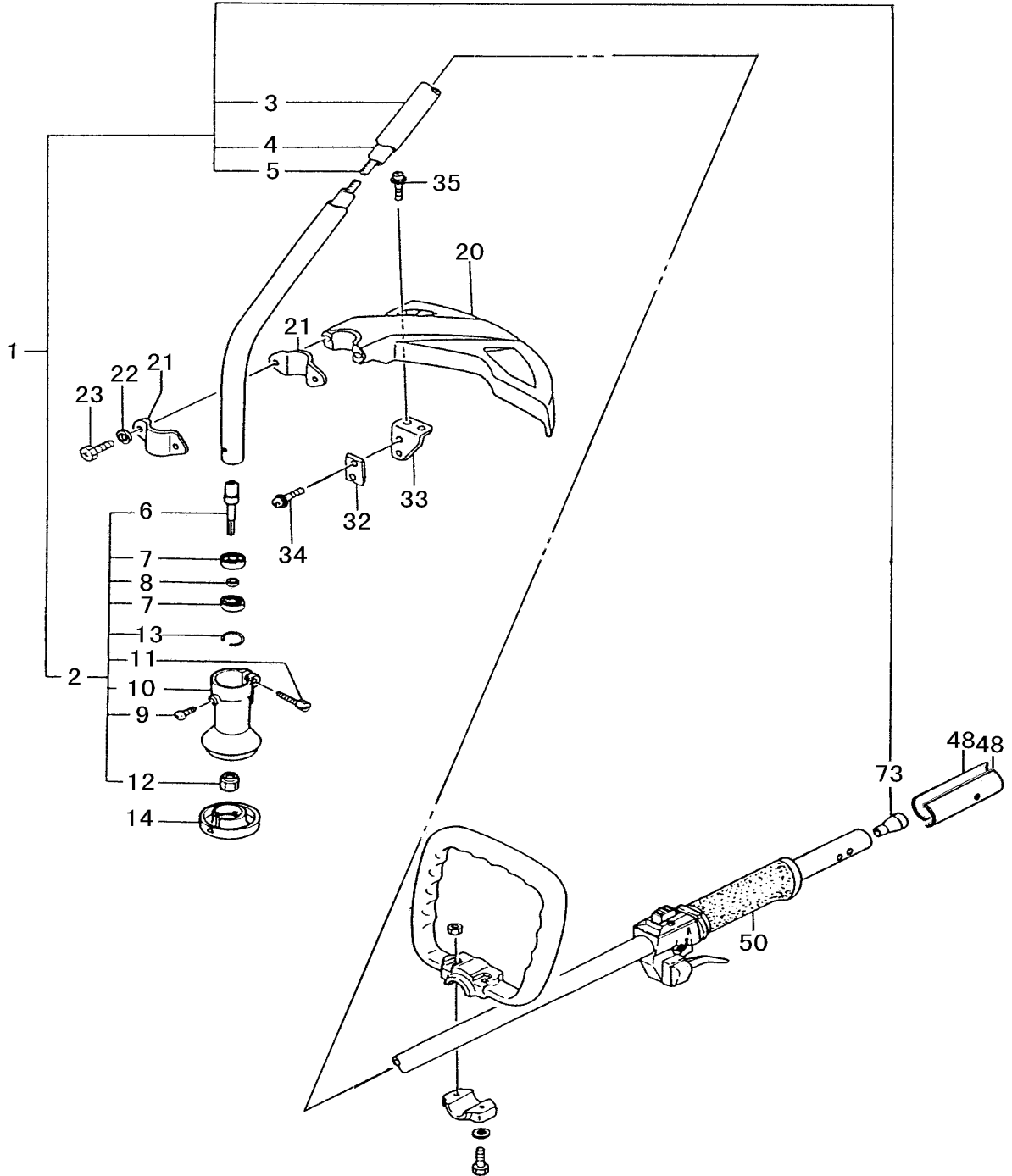
ITEM	PART NUMBER	DESCRIPTION	QTY	COMMENTS
6-0	4550007090	CARBURETOR,ASS'Y	1	Prior to S/N U242600
6-1	54825140200	SCREW,THROTTLE SET	2	
6-5	53925120200	SWIVEL	1	~ Contained in carb kit #650-25124-900
6-7	48925100200	RING,STOP	1	"Not available individually"
6-10	55025100200	O-RING	1	
6-11	5992000W39	JET,MAIN #39	1	
6-13	~ ~ ~	GASKET,PUMP	1	
6-14	~ ~ ~	DIAPHRAGM,PUMP	1	
6-17	57825007200	SCREEN,INLET	1	
6-18	5752515380	BODY,PUMP	1	
6-19	~ ~ ~	GASKET,DIAPHRAGM	1	
6-20	~ ~ ~	DIAPHRAGM,METERING	1	
6-21	47625004200	COVER,DIAPHRAGM	1	
6-22	54825101200	SCREW,SET	4	



ITEM	PART NUMBER	DESCRIPTION	QTY	COMMENTS
7-0	4550007190	CARBURETOR,ASS'Y	1	S/N U242601 and after
7-1	54825140200	SCREW,THROTTLE SET	2	
7-5	53925120200	SWIVEL	1	
7-7	48925100200	RING,STOP	1	
7-10	55025100200	O-RING	1	
7-11	5992000W39	JET,MAIN #39	1	
7-13	~ ~ ~	GASKET,PUMP	1	~ Contained in carb kit #650-25124-900 "Not available individually"
7-14	~ ~ ~	DIAPHRAGM,PUMP	1	
7-17	57825007200	SCREEN,INLET	1	
7-18	5752515380	BODY,PUMP	1	
7-19	~ ~ ~	GASKET,DIAPHRAGM	1	
7-20	~ ~ ~	DIAPHRAGM,METERING	1	
7-21	4422515180	PUMP,PRIMING	1	
7-22	44725108200	BODY,PRIMING	1	
7-23	4762515120	COVER,DIAPHRAGM	1	
7-24	5482515120	SCREW,SET	4	

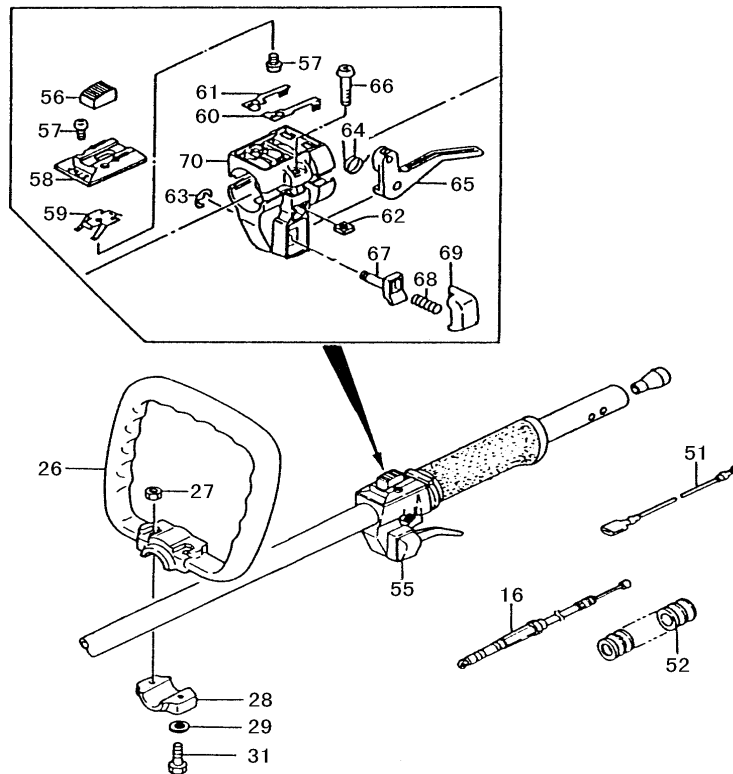


ITEM	PART NUMBER	DESCRIPTION	QTY	COMMENTS
8-1	2890002580	DRUM,CLUTCH	1	
8-3	99350012002	RING,STOP,C-12 EX	1	
8-4	3310700081	CASE,CLUTCH	1	Includes bearings
8-5	5990098021	CUSHION,RUBBER	1	
8-6-1	99074045164	SCREW,TAPPING 4.5x16	1	Prior to S/N T179330
8-6	99051050163	BOLT,HEX,5X16	1	S/N T179331 and after
8-8-1	99054050253	BOLT,HEX 5x25	1	Prior to S/N T179330
8-8	99461050254	BOLT,HEX HOLE,5X25S	1	S/N T179331 and after
8-9	99191050001	NUT,5	1	Prior to S/N T179330
8-11	99073050184	SCREW,TAPPING,5X18	4	
8-15	3600098021	HOLDER,PIPE	1	Prior to S/N T179330
8-15	3600099020	HOLDER,PIPE	1	S/N T179331 and after
8-25	0960430020	COLLAR 6.3x18	1	Prior to S/N T179330
8-26	99201050061	WASHER,5	1	S/N T179331 and after
8-27	3243735020	WASHER,GEAR CASE	1	S/N T179331 and after
8-28	3610099020	FITTING,METAL	1	S/N T179331 and after

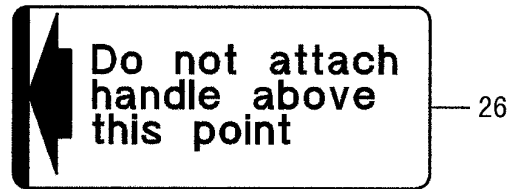
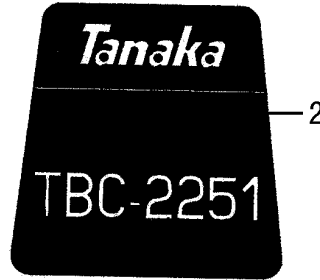


DRIVE SHAFT, SAFETY GUARD, GEAR CASE • FIGURE 9

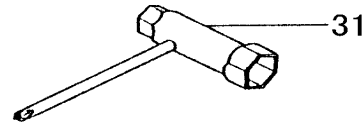
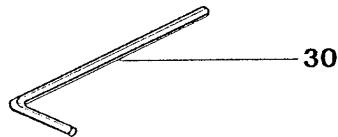
ITEM	PART NUMBER	DESCRIPTION	QTY	COMMENTS
9-1	3413737A91	PIPE,DRIVE SHAFT	1	
9-2	3003771090	CASE,GEAR ASS'Y	1	
9-3	3413737A20	PIPE,DRIVE SHAFT	1	
9-4	35037651210	LINER,FLEXIBLE	1	
9-5	3443765121	SHAFT,FLEX	1	
9-6	3043765121	SHAFT,CUTTER	1	
9-7	99961608004	BEARING,BALL,608DD	2	
9-8	3483765120	COLLAR 6.3x18	1	
9-9	99011050081	SCREW,5X8	1	
9-10	3003771020	CASE,GEAR	1	
9-11	99425050301	BOLT,PS,5X30	1	
9-12	31537710200	NUT,SPECIAL	1	
9-13	99353022002	RING,STOP,R-22	1	S/N T259596 and after
9-14	3103771020	HOLDER,CUTTER	1	
9-20	44137701810	COVER,SAFETY	1	
9-21	4423771020	BRACKET,SAFETY GUARD	2	
9-22	99210060012	WASHER,S,6	2	
9-23	99023060161	BOLT,6X16, PLUS	2	
9-32	7973771420	BLADE,LINE LIMITER	1	
9-33	7983771420	BRACKET,LIMITER	1	
9-34	99414040081	SCREW,4X8	2	
9-35	99415050161	SCREW,5X16,PS	2	
9-48	3463737A20	HOLDER	1	
9-50	50437400200	GRIP,SHAFT	1	
9-73	32037651200	SPACER	1	



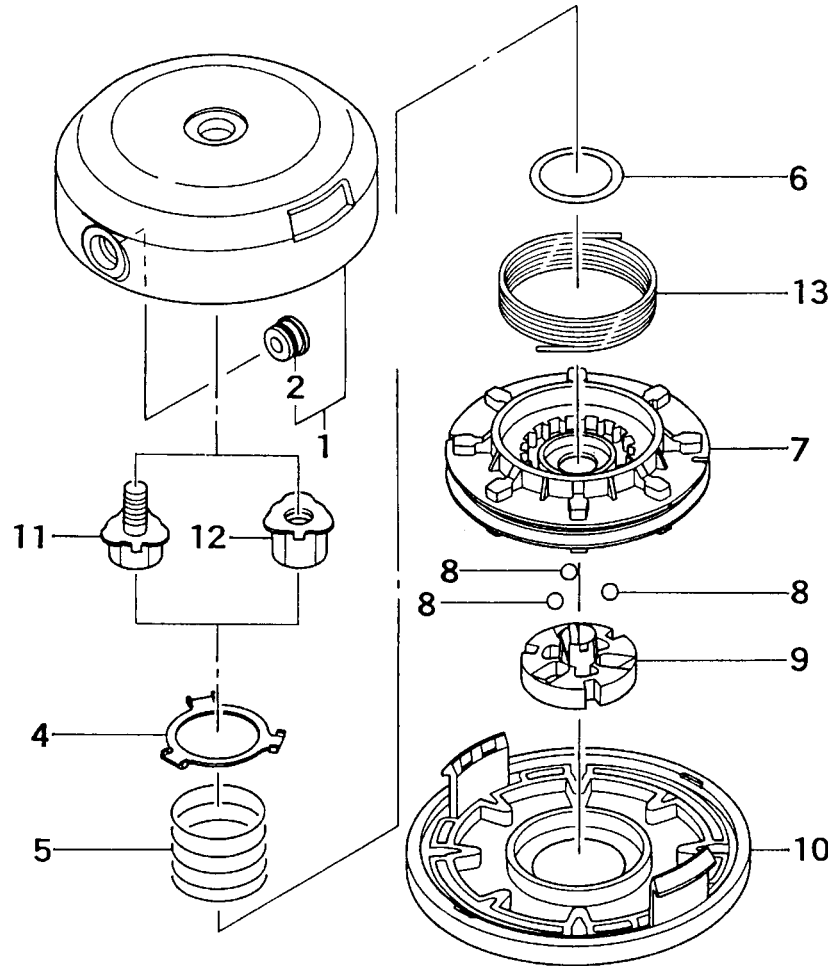
ITEM	PART NUMBER	DESCRIPTION	QTY	COMMENTS
10-16	8853782080	WIRE, THROTTLE	1	
10-26	5003770420	HANDLE, 22mm	1	
10-27	99101060011	NUT, 6	2	
10-28	50637704200	BRACKET, HANDLE, A	1	
10-29	99201060011	WASHER, 6	2	
10-31	99023060401	BOLT, PLUS, 6X40	2	
10-51	1783739480	CORD, STOP	2	
10-52	16410014010	TUBE	1	Prior to S/N T090500
10-52	1641001701	TUBE	1	S/N T090501 and after
10-55	8703770B90	LEVER, THROTTLE ASS'Y	1	
10-56	16237101200	SWITCH, STOP	1	
10-57	99342030081	SCREW, TAPPING 3X8	3	
10-58	25937101200	BASE, STOP SWITCH	1	
10-59	26237101200	SPRING, STOP SWITCH	1	
10-60	17737101200	TERMINAL, B	1	
10-61	17637101200	TERMINAL, A	1	
10-62	3153334020	NUT, SPECIAL 5	2	
10-63	99355060001	RING, STOP, E-6	1	
10-64	83237101200	SPRING, RETURN	1	
10-65	88037101200	ARM, THROTTLE	1	
10-66	99431050201	SCREW, 5X20	2	
10-67	85337101200	SHAFT, LOCK BUTTON	1	
10-68	95837101200	SPRING, LOCK BUTTON	1	
10-69	95637101200	BUTTON, LOCK	1	
10-70	2603770B20	BODY, STOP BUTTON	1	



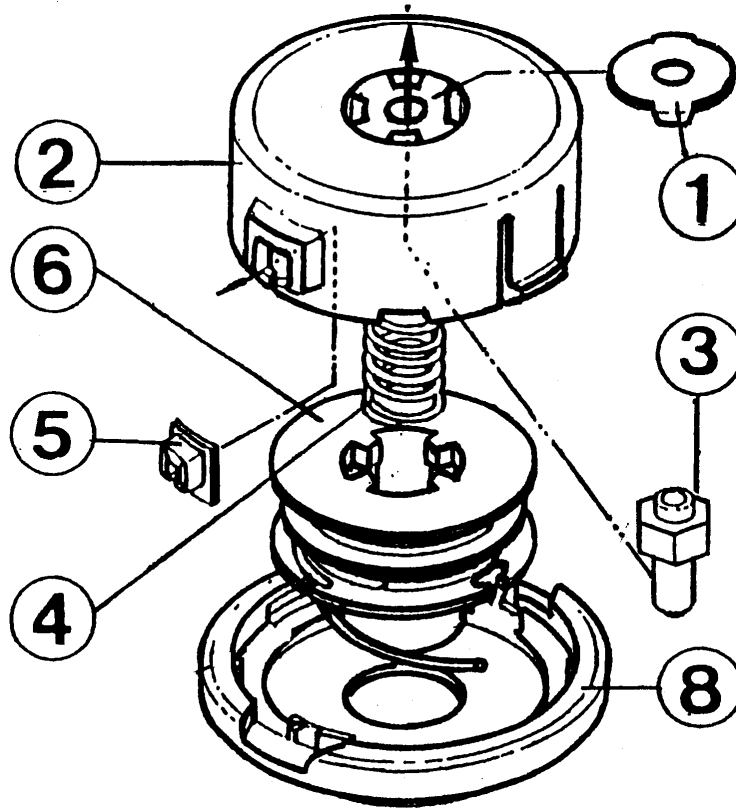
WARNING! •Read the Operator's Manual and follow all warnings and safety instructions. Failure to do so can result in serious injury to the operator and/or bystanders. •Objects may be thrown or ricochet in all directions. •ALWAYS WEAR EYE PROTECTION. •Keep bystanders at least 50 feet (15 m) away. •To reduce the chance of hearing loss, always wear ear protection. •To reduce the risk of injury from loss of control, never use a metal blade on a curved shaft grass trimmer. Never use a metal blade on any brushcutter without barrier bar or bicycle handle configuration and safety strap. •Use of a blade may cause a sudden sideways, forward or backward motion of the brushcutter when the blade contacts a solid object. See Owner's manual for model specific details.



ITEM	PART NUMBER	DESCRIPTION	QTY	COMMENTS
11-1	9060007120	PLATE,NAME,TBC-2251	1	
11-2	9290007920	NAMEPLATE, TBC-2251	1	S/N T259596 and after
11-3	91505015200	DECAL,SYMBOL	2	
11-4	92337400200	DECAL,LEVEL	1	
11-10	9193738F20	DECAL,CAUTION,A	1	
11-26	9233738F20	DECAL,LEVEL	1	
11-30	81320000200	WRENCH,HEX,4	1	
11-31	8262000080	SPANNER,COMBI,17X19	1	



ITEM	PART NUMBER	DESCRIPTION	QTY	COMMENTS
	746751	HEAD, BRAIN (TH-97)	1	Units prior to S/N V223977
1	7863381091	CUTTING BODY ASS'Y	1	
2	7883307120	EYELET	2	
3	7603381020	WASHER, MOUNTING	1	
4	7853381020	BASE, ADJUSTMENT	1	
5	7933381022	SPRING, REEL, YELLOW	1	
6	7923381020	WASHER, ADJUSTMENT	1	
7	7873381020	REEL	1	
8	6733560020	BALL, STEEL	3	
9	7903381020	SLIDER, REEL	1	
10	7893381020	CAP, BODY	1	
11	3143381280	MOUNTING BOLT	1	
12	3153381080	MOUNTING NUT	1	
--	3153382280	MOUNTING NUT 8X1.25 RH	1	



ITEM	PART NUMBER	DESCRIPTION	QTY	COMMENTS
1-0	746651	HEAD,SEMI-AUTO 4"	1	
1-1	7603777020	PLATE, TOP	1	
1-2	7863777020	BODY, CUTTING	1	
1-3	3563777020	ADAPTER, 8x1.25, RHF	1	
1-4	7933777020	SPRING	1	
1-5	7883777020	EYELET	2	
1-6	7873777020	REEL	1	
1-8	7893777020	CAP, BODY	1	

COPOLYMER NYLON CUTTING LINE

Tanaka Copolymer Nylon Cutting Line is made of a special, long lasting, weld resistant compound to provide outstanding cutting performance for grass trimmer heads.

Item No.	Description
30' / 40' / 50' Nylon Line Coils (1 case = 24 pcs.)	
746555	080-CLN / .080" Dia / Green (50 ft.)
746556	095-CLN / .095 Dia. / Orange (40 ft.)
746557	105-CLN / .105" Dia. / Red (30 ft.)
1/2 lb. Nylon Line Donuts (1 case = 24 pcs.)	
746559	080-005N / .080" Dia. / Green (200 ft.)
746560	095-005N / .095" Dia. / Orange (142 ft.)
746561	105-005N / .105" Dia. / Red (117 ft.)
746562	130-005N / .130" Dia. / Black (75 ft.)
1 lb. Nylon Line Donuts (1 case = 24 pcs.)	
746564	080-010N / .080" Dia. / Green (400 ft.)
746565	095-010N / .095" Dia. / Orange (285 ft.)
746566	105-010N / .105" Dia. / Red (235 ft.)
746567	130-010N / .130" Dia. / Black (150 ft.)
746568*	155-010N / .155" Dia. / Yellow (108 ft.)
3 lb. Nylon Line Spools (1 case = 12 pcs.)	
746168	080-030N / .080" Dia. / Green (1,200 ft.)
746169	095-030N / .095" Dia. Orange (855 ft.)
746170	105-030N / .105" Dia. / Red (705 ft.)
746171	130-030N / .130" Dia. / Black (450 ft.)
746272	155-030N / .155" Dia. / Yellow (324 ft.)
5 lb. Nylon Line Spools (1 case = 12 pcs.)	
746172	080-050N / .080" Dia. / Green (2,000 ft.)
746173	095-050N / .095" Dia. / Orange (1,425 ft.)
746174	105-050N / .105" Dia. / Red (1,175 ft.)
746175	130-050N / .130" Dia. / Black (750 ft.)
746176	155-050N / .155" Dia. / Yellow (540 ft.)



- ❖ **Unique Color-Coded Trimmer Line System.**
- ❖ **Easy to Load into Any Trimmer Head.**
- ❖ **Available in Various Package Quantities.**
- ❖ **Economical 3 lb. & 5 lb. Sizes are Available on Spools**



All data and specifications are subject to change without notice.

Date: September 2000

Model & Serial: AST-210, TBC-2211 (1)
TBC-4001, TBC-2251 (2)

Reason: Some units experienced difficulty in properly feeding line. The spring within the head has been changed to ensure proper feeding.

Part Number Changes:

Old Part #	New Part #	Description	Remarks
783-33815-90	783-33817-90	Brain Head (1)	Marking on body changed from NB to NBY
793-33810-21	793-33810-22	Spring (1)	Color has been changed from black to black & yellow
783-33822-90	783-33823-90	Brain Head (2)	Marking on body changed from RB to RYB
793-33820-20	793-33820-21	Spring (2)	Color has been changed from silver to silver & yellow

Tanaka is marketed exclusively by:

