

# **Tanaka** Illustrated Parts Manual

Model Number:

**TBC-2500**

**GRASS TRIMMER**

P/N 39719

Rev 000

Date 8-31-06



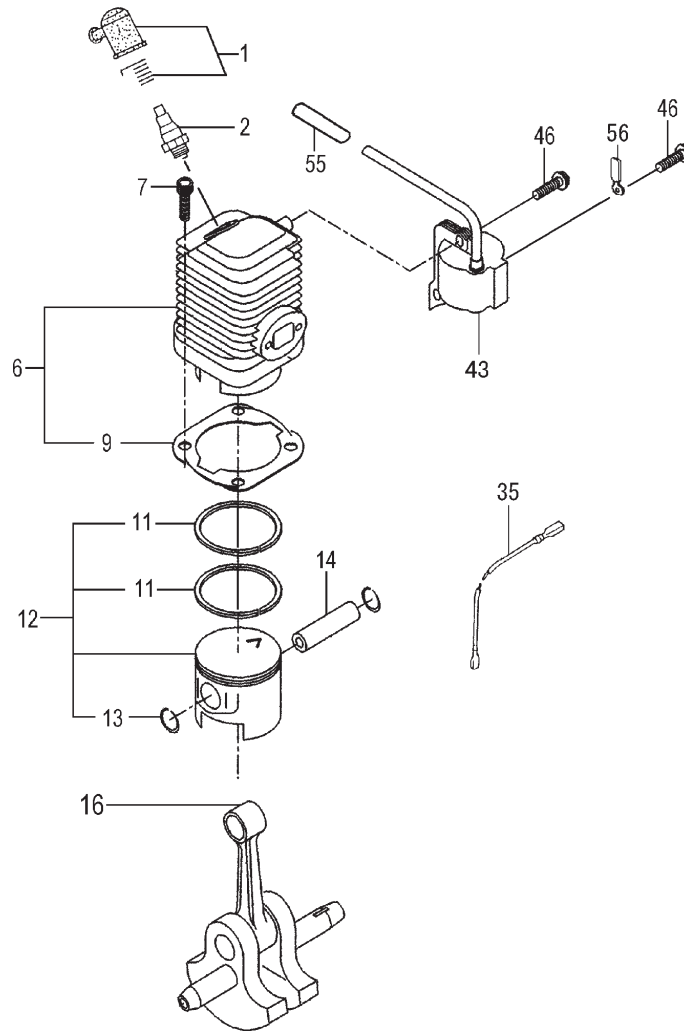
*Supplier To The Outdoor Power Equipment Industry*

Tanaka America • 1028 4<sup>th</sup> Street SW • Auburn, WA 98001 • Phone: (253) 333-1200 • Fax: (253) 333-1212

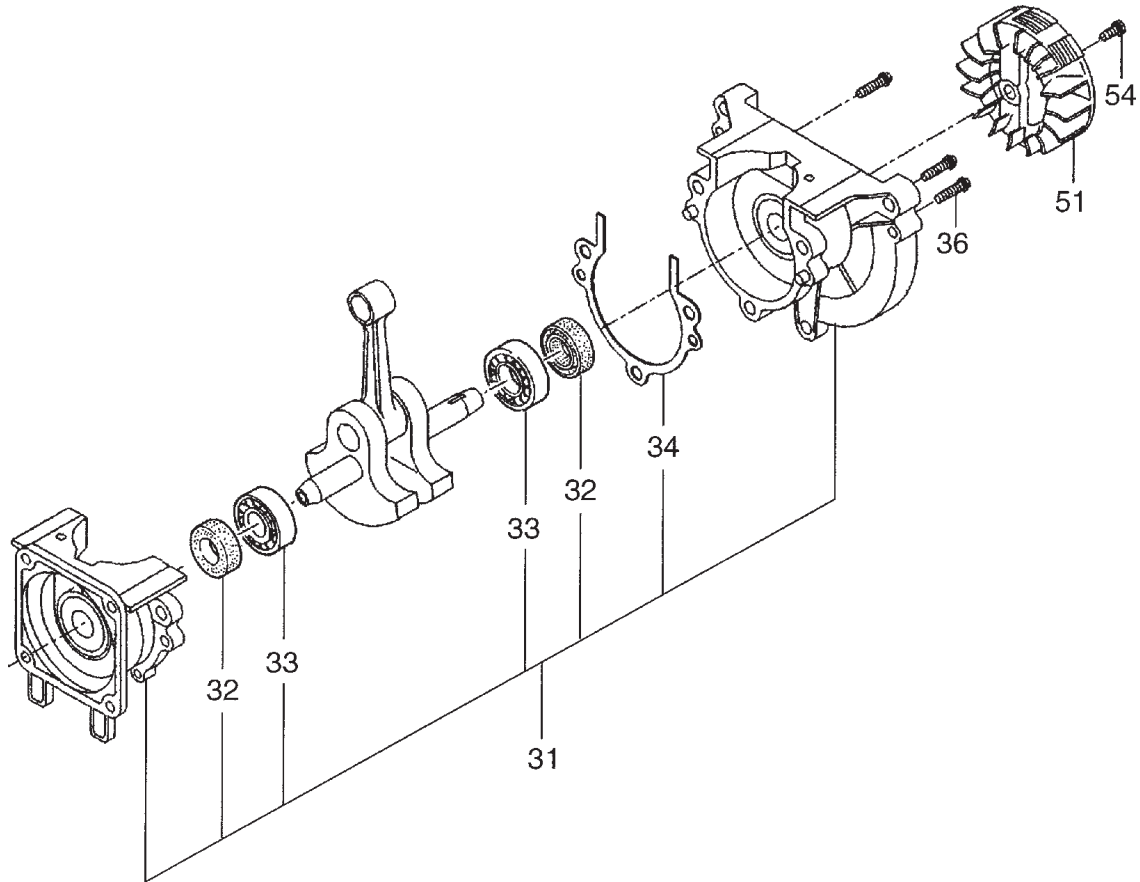
[www.tanaka-usa.com](http://www.tanaka-usa.com)

[custsvc@tanaka-usa.com](mailto:custsvc@tanaka-usa.com)

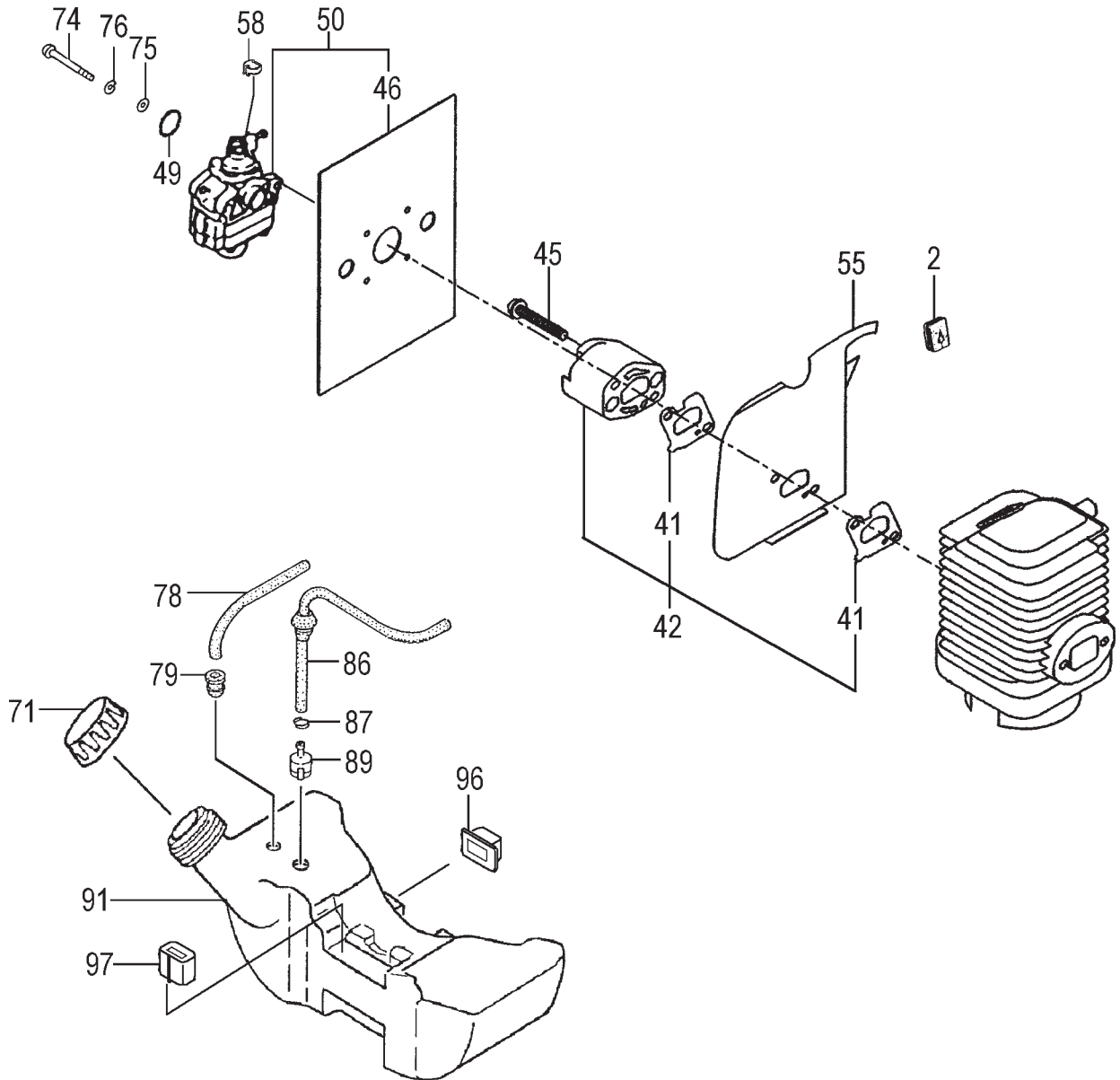
### CYLINDER, PISTON, CRANKSHAFT, IGNITION • FIGURE 1



ITEM	PART NUMBER	DESCRIPTION	QTY	COMMENTS
1-1	15701570900	CAP, SPARK PLUG, ASSEMBLY	1	
1-2	01801805200	PLUG, SPARK	1	
1-6	0010706090	SET, CYLINDER	1	Includes gasket
1-7	99464050204	SCREW, 5X20, WS	2	
1-9	0170706020	GASKET, CYLINDER	1	
1-11	0410706020	RING, PISTON	2	
1-12	0300706590	PISTON SET	1	Includes piston rings and circlips
1-13	03901620200	CIRCLIP, PISTON PIN	2	
1-14	0370706520	PIN, PISTON	1	
1-16	0460706090	CRANKSHAFT	1	
1-35	1780603180	CORD, B260M	1	
1-43	1670706080	COIL, IGNITION	1	
1-46	99416040201	SCREW, 4x20 WS	2	
1-55	2500706020	TUBE, INSULATOR	1	
1-56	1980706020	CLAMP, CORD	1	

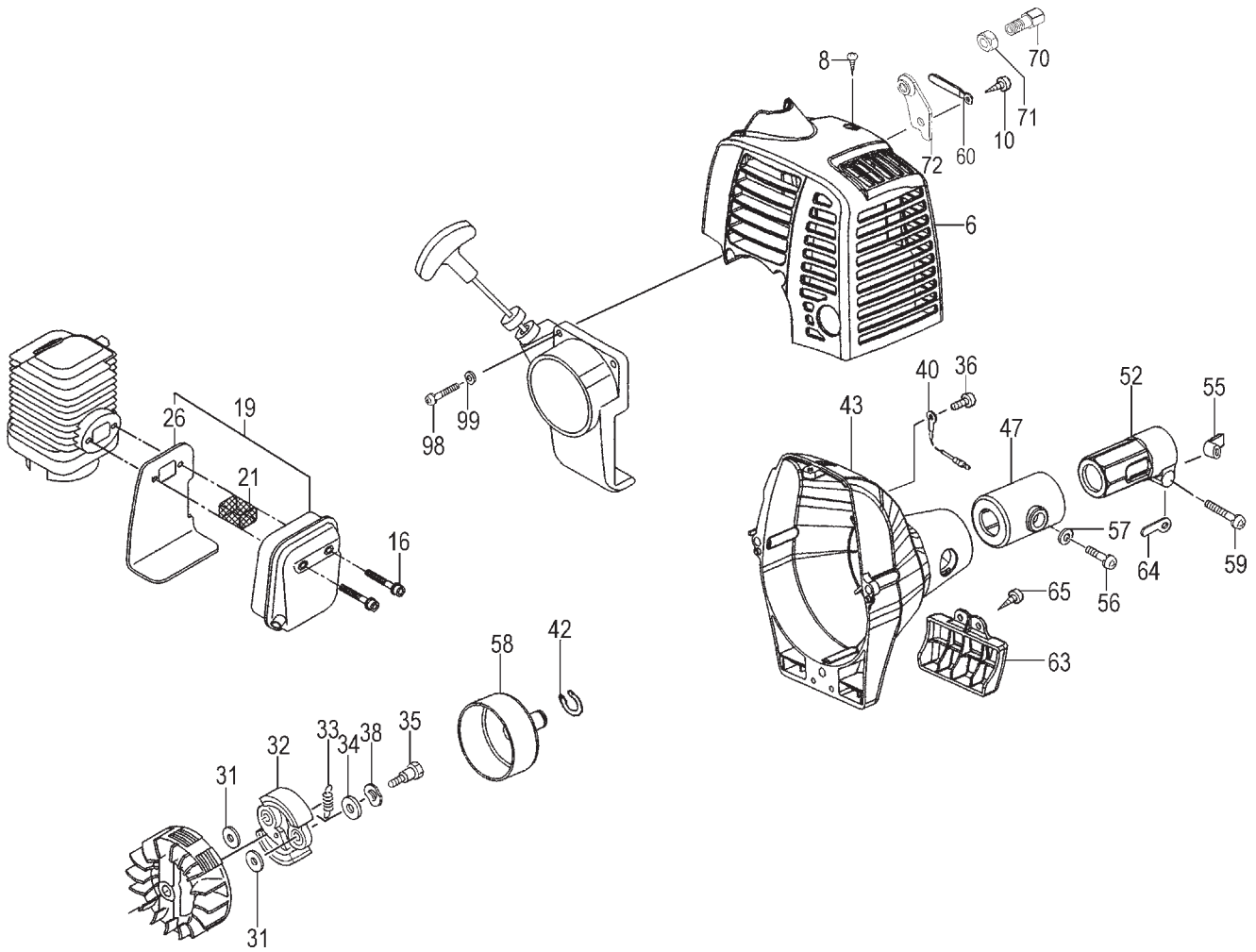


ITEM	PART NUMBER	DESCRIPTION	QTY	COMMENTS
2-31	0720706090	CRANKCASE,ASS'Y	1	Includes gasket, bearings and seals
2-32	99966122272	SEAL,OIL 122245	2	
2-33	99961600100	BEARING,BALL,#6001	2	
2-34	0900706020	GASKET,CRANKCASE	1	
2-36	99414050251	SCREW,5X25	3	
2-51	1550706080	ROTOR,MAGNETO	1	
2-54	99422060161	BOLT,6x16,PS	1	



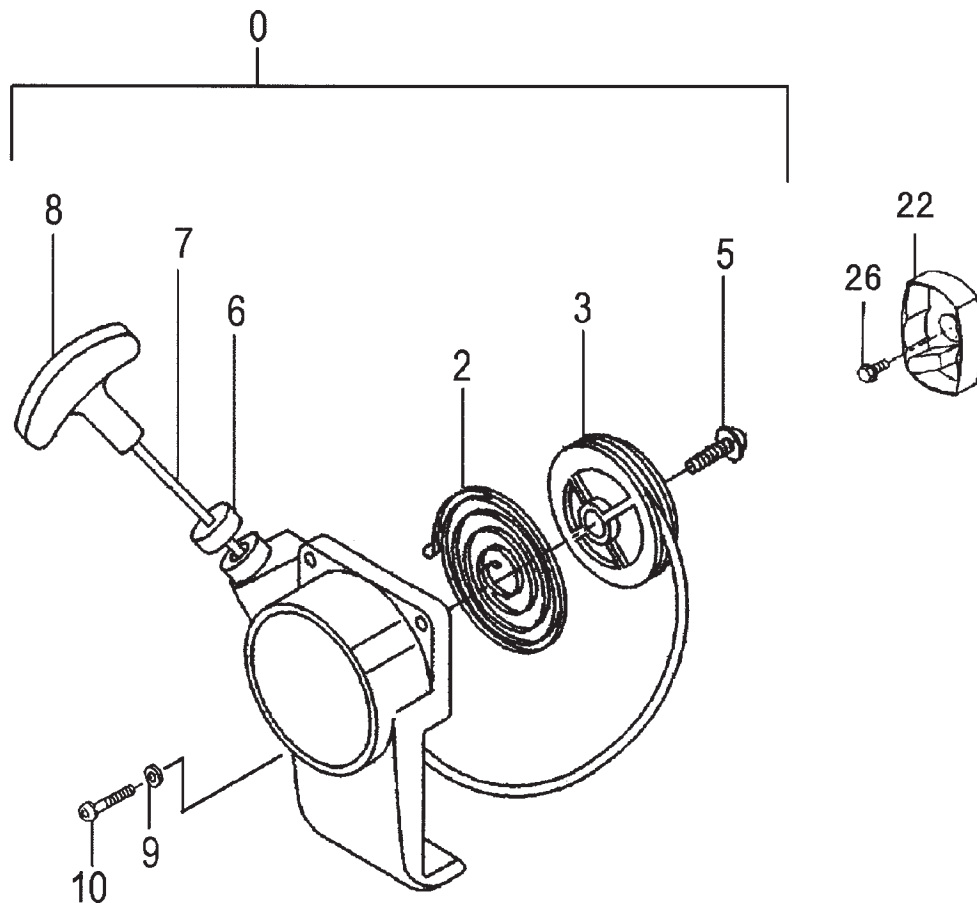
ITEM	PART NUMBER	DESCRIPTION	QTY	COMMENTS
3-2	2030706020	GROMMET	1	
3-41	4030706020	GASKET,INTAKE MANIFOLD	2	
3-42	4040706090	SET,INSULATOR	1	Includes gasket
3-45	99416050252	SCREW,5X25WS	2	
3-46	4020706020	GASKET,CARBURETOR	1	
3-49	99967015000	O-RING,P15	1	
3-50	4550709690	CARBURETOR SET	1	Includes gasket
3-55	1320706020	SHIELD	1	
3-58	5600712020	SWIVEL CAP	1	
3-71	5950300290	CAP,TANK (BLACK/RED)	1	
3-74	99011050651	SCREW,5X65	2	
3-75	99201050011	WASHER,5	2	
3-76	99210050012	WASHER,S,5	2	
3-78	7000300507	PIPE,FUEL,3X5X75	1	
3-79	53432710200	GROMMET,FUEL PIPE	1	
3-86	2230162V900	PIPE,FUEL,ASS'Y	1	
3-87	68000731201	CLIP 6.3	1	
3-89	6750404280	FILTER,FUEL	1	
3-91	5910706080	TANK,FUEL ORANGE	1	
3-96	65500940201	CUSHION,FUEL TANK	2	
3-97	6010706020	CUSHION,TANK	2	

### MUFFLER, CLUTCH & COVER • FIGURE 4



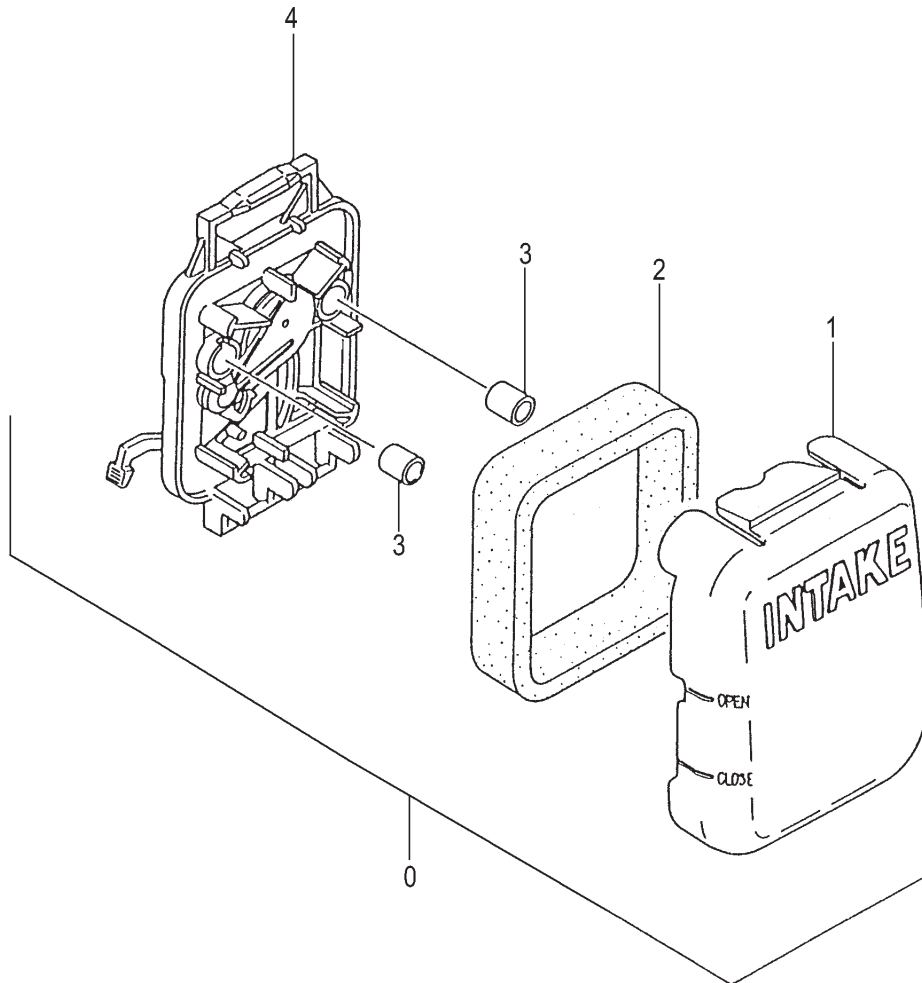
### MUFFLER, CLUTCH & COVER • FIGURE 4

ITEM	PART NUMBER	DESCRIPTION	QTY	COMMENTS
4-6	7380706021	COVER,MUFFLER	1	
4-8	99073045104	SCREW,TAPPING,4.5X10	2	
4-10	99073045124	SCREW,TAPPING,4.5X12	1	
4-16	99460050454	SCREW,5X45W	2	
4-19	7040706090	SET,MUFFLER	1	
4-21	7320706020	ARRESTOR,SPARK	1	
4-26	1330706020	SHIELD,HEAT	1	
4-31	35902103200	WASHER,CLUTCH,B	2	
4-32	29001620800	SHOE,CLUTCH	2	
4-33	3420630B200	SPRING,CLUTCH	1	
4-34	3480602R200	WASHER,CLUTCH A	2	
4-35	3570075T200	BOLT,STEP	2	
4-36	99416050162	SCREW,5X16/WS	3	
4-38	99205080030	WASHER,8	2	
4-40	17900025800	CORD,STOP	1	
4-42	99350012002	RING,STOP,C-12 EX	1	
4-43	1120706081	CASE,FAN	1	
4-47	5990098021	CUSHION,RUBBER	1	Includes bearing
4-52	3600099620	PIPE HOLDER	1	
4-55	3610099020	FITTING,METAL	1	
4-56	99051050163	BOLT,HEX,5X16	1	
4-57	99201050061	WASHER,5	1	
4-58	2890707880	SHAFT,CLUTCH	1	
4-59	99461050254	BOLT,HEX HOLE,5X25S	1	
4-60	19805015800	CLAMP,CORD	1	
4-63	9410706020	STAND	1	
4-64	3243735020	WASHER,GEAR CASE	1	
4-65	99073045124	SCREW,TAPPING,4.5X12	2	
4-70	61425137200	ADJUSTER,CABLE	1	
4-71	99101060013	NUT,6	1	
4-72	8780706020	PLATE,WIRE FIXING	1	
4-98	99461050204	BOLT,HEX,HOLE,5X20,S	2	
4-99	99200050061	WASHER,SMALL,5	2	

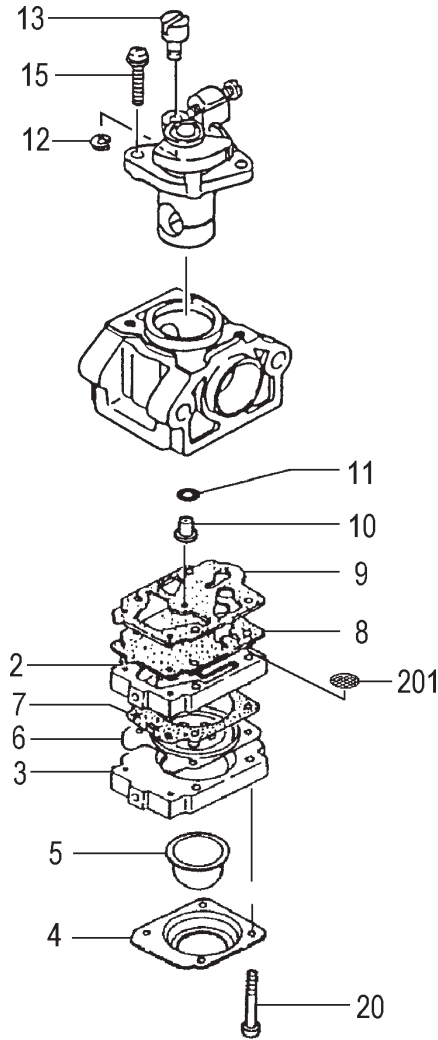


ITEM	PART NUMBER	DESCRIPTION	QTY	COMMENTS
5-0	7620706090	STARTER,RECOIL ASS'Y	1	
5-2	7790136U200	SPRING,RECOIL	1	
5-3	7740162V200	REEL,STARTER ROPE	1	
5-5	8390201020	SCREW,SET	1	
5-6	7800706020	GUIDE,ROPE	1	
5-7	7830706020	ROPE,STARTER	1	
5-8	78506097200	HANDLE,STARTER	1	
5-9	99200050061	WASHER,SMALL,5	2	
5-10	99461050204	BOLT,HEX,HOLE,5X20,S	2	
5-22	7980706090	PULLEY,STARTER	1	
5-26	3800706080	BOLT,M6	1	

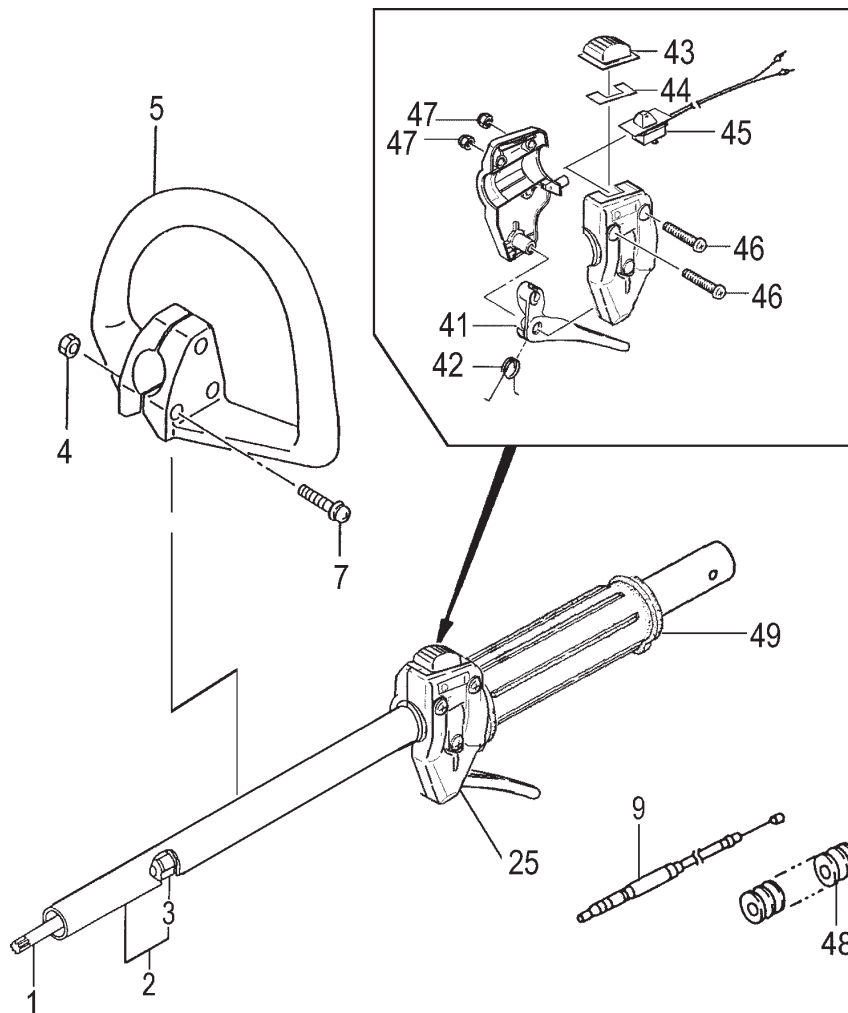




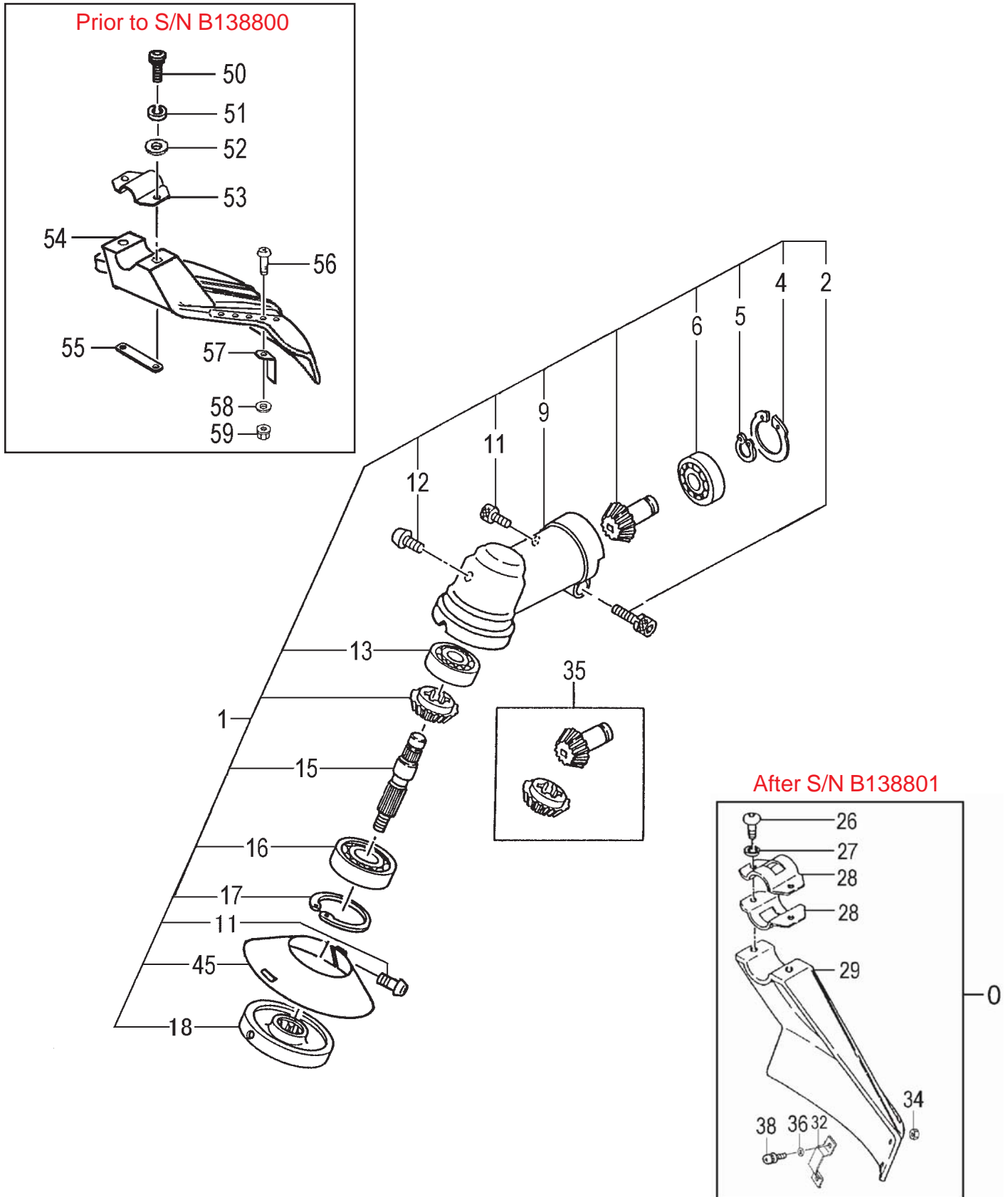
ITEM	PART NUMBER	DESCRIPTION	QTY	COMMENTS
6-0	41000025900	CLEANER,AIR ASS'Y	1	
6-1	42400025200	CAP,AIR CLEANER	1	
6-2	44600025200	ELEMENT,CLEANER	1	
6-3	47000025200	COLLAR	2	
6-4	42300025800	BODY,CLEANER,AIR	1	



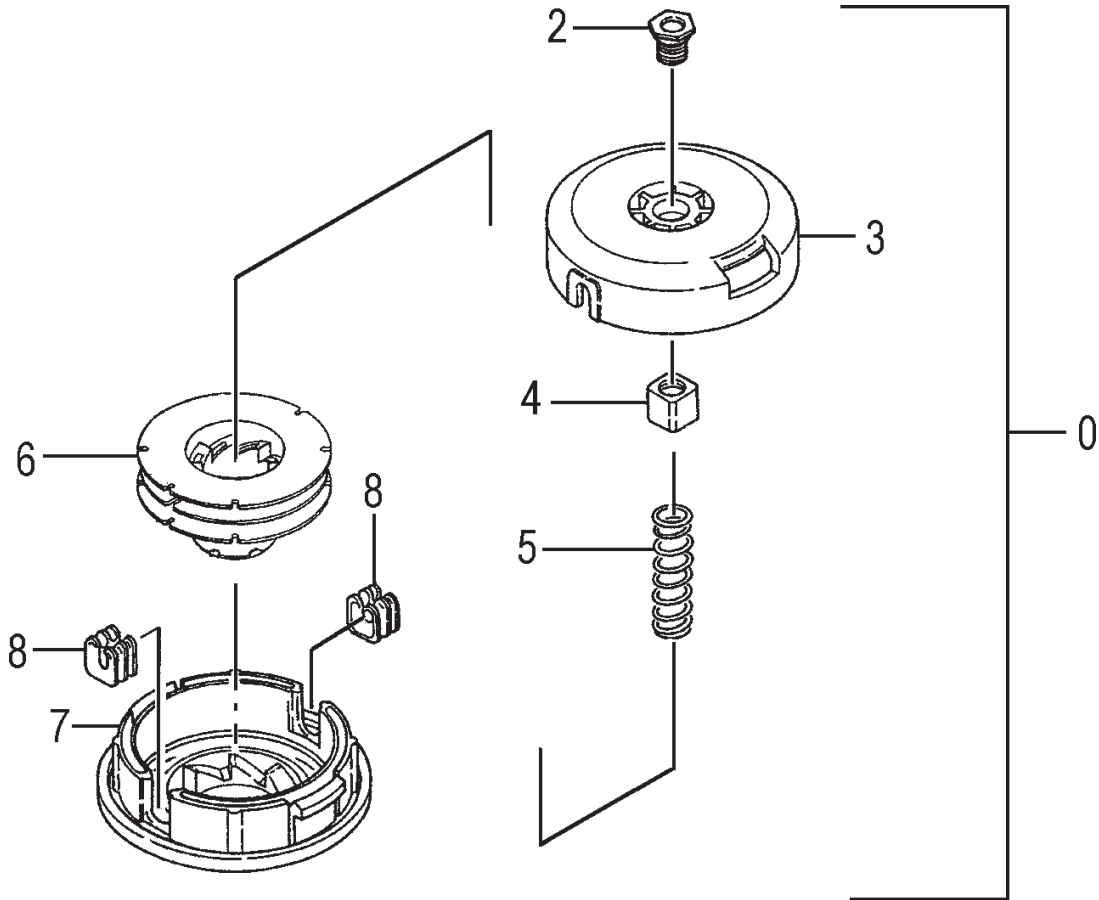
ITEM	PART NUMBER	DESCRIPTION	QTY	COMMENTS
7-0	4550709690	CARBURETOR SET	1	Includes gasket
7-2	5752515380	BODY,PUMP	1	
7-3	4422515180	PUMP,PRIMING	1	
7-4	4762515120	COVER,DIAPHRAGM	1	
7-5	44725108200	BULB,PRIMING	1	
7-6	~ ~ ~	METERING DIAPHRAGM	1	~ Contained in Carb Repair Kit P/N 650-25140-900 (not available individually)
7-7	~ ~ ~	GASKET,DIAPHRAGM	1	
7-8	~ ~ ~	DIAPHRAGM,PUMP	1	
7-9	~ ~ ~	GASKET,PUMP	1	
7-10	599200AW38	JET,MAIN #38.5	1	
7-11	55025100200	O-RING	1	
7-12	48925100200	RING,STOP	1	
7-13	53925120200	SWIVEL	1	
7-15	54825140200	SCREW,THROTTLE SET	2	
7-20	5482515120	SCREW,SET	4	
7-201	57825007200	SCREEN,INLET	1	



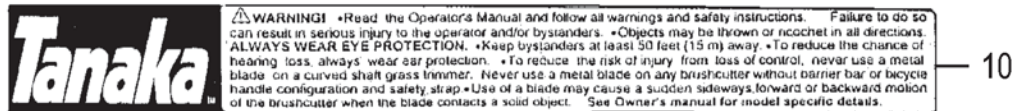
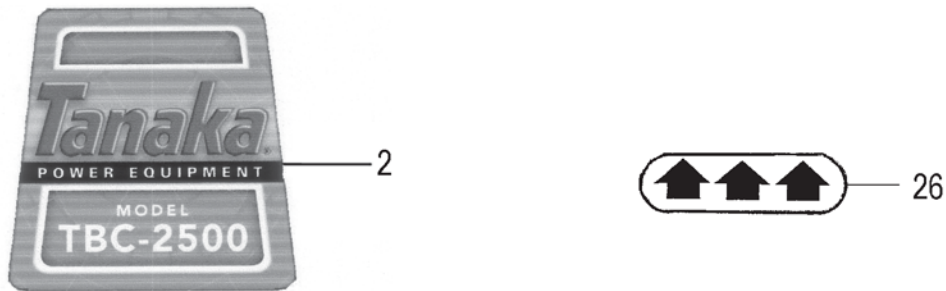
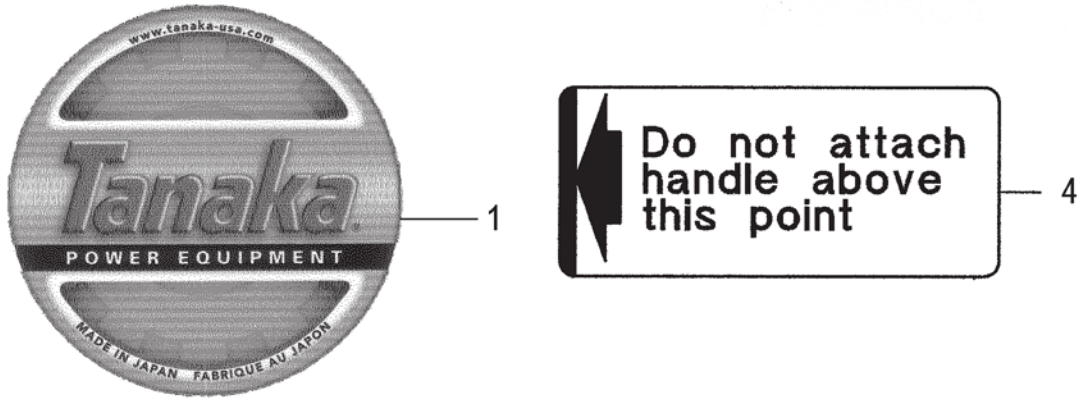
ITEM	PART NUMBER	DESCRIPTION	QTY	COMMENTS
8-1	3433836020	SHAFT,DRIVE	1	
8-2	3413836081	PIPE,DRIVE SHAFT	1	
8-3	3473836090	BUSHING	5	
8-4	99101060041	NUT,6	3	
8-5	5003845120	HANDLE,FRONT	1	
8-7	99416050302	SCREW,5x30,WS	3	
8-9	8853819580	WIRE,THROTTLE	1	
8-25	8703845190	LEVER,THROTTLE ASSY	1	
8-41	8803845120	LEVER,THROTTLE	1	
8-42	8323845120	SPRING,RETURN	1	
8-43	1623845120	BUTTON,STOP	1	
8-44	9253845120	DECAL,STOP SWITCH	1	
8-45	1563845180	SWITCH,STOP	1	
8-46	99011050301	SCREW,5X30	3	
8-47	99101050011	NUT,5	3	
8-48	1640701701	TUBE,PROTECTION,7x170	1	
8-49	5093845320	GRIP,SHAFT	1	



ITEM	PART NUMBER	DESCRIPTION	QTY	COMMENTS
9-0	4413782090	SAFETY GUARD KIT	1	After S/N B138801
9-1	3003845190	CASE,GEAR ASSY	1	
9-2	99461050254	BOLT,HEX HOLE,5X25S	1	
9-4	99351024002	RING,STOP,C-24,IN	1	
9-5	99350009002	RING,STOP,C9	1	
9-6	99961609002	BEARING,BALL,#609Z	1	
9-9	3003836021	CASE,GEAR	1	
9-11	99416050121	SCREW,5X12/PS	2	
9-12	3163815020	BOLT,FITTING,M8	1	
9-13	99961626000	BEARING,BALL,#626	1	
9-15	3043845120	SHAFT,GEAR	1	
9-16	99961600003	BEARING,BALL,#6000D	1	
9-17	99351026002	RING,STOP,IN,C-26	1	
9-18	3103836020	HOLDER,CUTTER	1	
9-26	99053060203	BOLT,HEX,6X20	2	Prior to S/N B138800
9-27	99210060062	WASHER,S,6	2	Prior to S/N B138800
9-28	4423741720	BRACKET,SAFETY GUARD	2	Prior to S/N B138800
9-29	4413782080	GUARD,SAFETY	1	Prior to S/N B138800
9-32	7973782020	KNIFE	1	Prior to S/N B138800
9-34	99101040011	NUT 4	2	Prior to S/N B138800
9-35	3013836000	SET,GEAR & PINION	1	
9-36	99201040011	WASHER 4	2	Prior to S/N B138800
9-38	99414040121	SCREW,4X12S	2	Prior to S/N B138800
9-45	3033836020	COVER,GEAR CASE	1	
9-50	99053060303	SCREW,6X30	2	After S/N B138801
9-51	99210060062	WASHER,S,6	2	After S/N B138801
9-52	99201060061	WASHER,6	2	After S/N B138801
9-53	4423845120	BRACKET,GUARD	1	After S/N B138801
9-54	4413845120	SAFETY GUARD	1	After S/N B138801
9-55	4453825320	GUARD HOLDER	1	After S/N B138801
9-56	99011050151	SCREW,5X15	1	After S/N B138801
9-57	7973782020	BLADE	1	After S/N B138801
9-58	99201050011	WASHER,5	1	After S/N B138801
9-59	99174050010	NUT-U,5	1	After S/N B138801



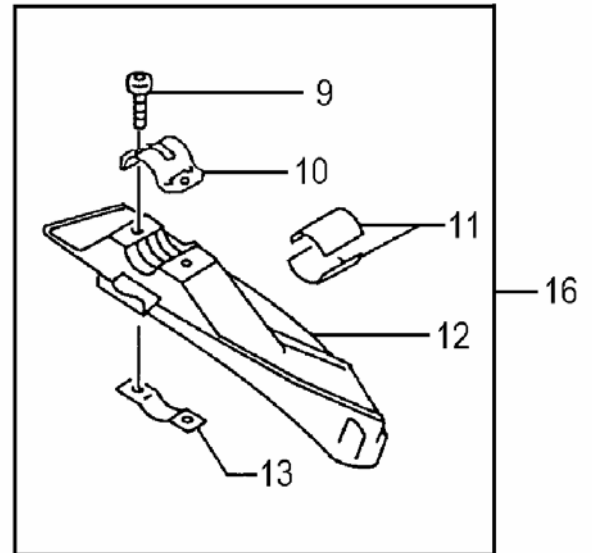
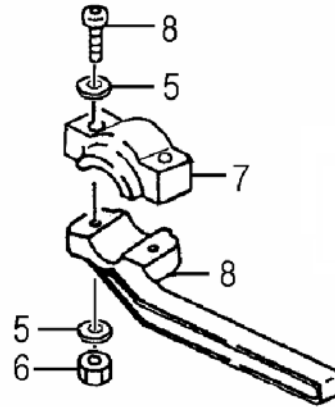
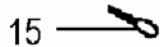
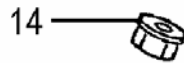
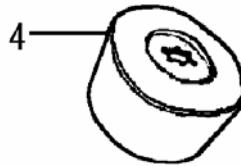
ITEM	PART NUMBER	DESCRIPTION	QTY	COMMENTS
10-0	746451	HEAD,SEMI-AUTO,5"	1	
10-2	3563383E20	ADAPTER,746451,8x1.25 LHF	1	
10-3	7863383020	BODY,CUTTING	1	
10-4	3153383020	NUT,SPECIAL	1	
10-5	7933383020	SPRING,REEL	1	
10-6	7873383020	REEL	1	
10-7	7893383020	CAP,BODY	1	
10-8	7883383020	EYELET	2	



ITEM	PART NUMBER	DESCRIPTION	QTY	COMMENTS
11-1	9060709620	DECAL,TBC-2500	1	
11-2	9290709620	DECAL,TBC-2500	1	
11-4	9233738F20	DECAL,LEVEL	1	
11-10	9193782020	DECAL,CAUTION A	1	
11-26	9233844720	DECAL,LEVEL	1	



**Single Shoulder Strap**  
Model#: 746191



**WARNING!** Read the owners manual and follow all warnings and safety instructions. Failure to do so can result in serious injury to the operator and/or bystanders. Never attempt to mount a steel blade to a machine that is not specifically designed for that purpose. Never attempt to mount a steel blade without using all components of the blade attachment kit, including shoulder strap and barrier safety bar.

ITEM	PART NUMBER	DESCRIPTION	QTY	COMMENTS	
4	3113844020	CAP,CUTTER HOLDER	1	Kit used on TBC-225, 230, 245PF, 2500	
5	99201060061	WASHER,6	4		
6	99101060041	NUT,6	2		
7	5063730020	BRACKET,HANDLE,A	1		
8	5203727720	BARRIER BAR 24MM	1		
9	99053060403	BOLT,HEX,6X40	2		
10	4423369921	BRACKET,SAFETY GUARD	1		
11	44437609200	SPACER,BRACKET	2		
12	4413738020	GUARD,SAFETY	1		
13	4453738020	HOLDER,GUARD	1		
14	3133754720	NUT,FIXING L.H. 8X1.25	1		
15	3273718090	PIN,COTTER 2X20 (10 PACK)	1		
16	30060	KIT,BLADE GUARD	1		
18	746191	STRAP,SHOULDER,PSS-175	1		
					Includes mounting bracket/hardware