

Tanaka Illustrated Parts Manual

Model Number:

TBC-4001

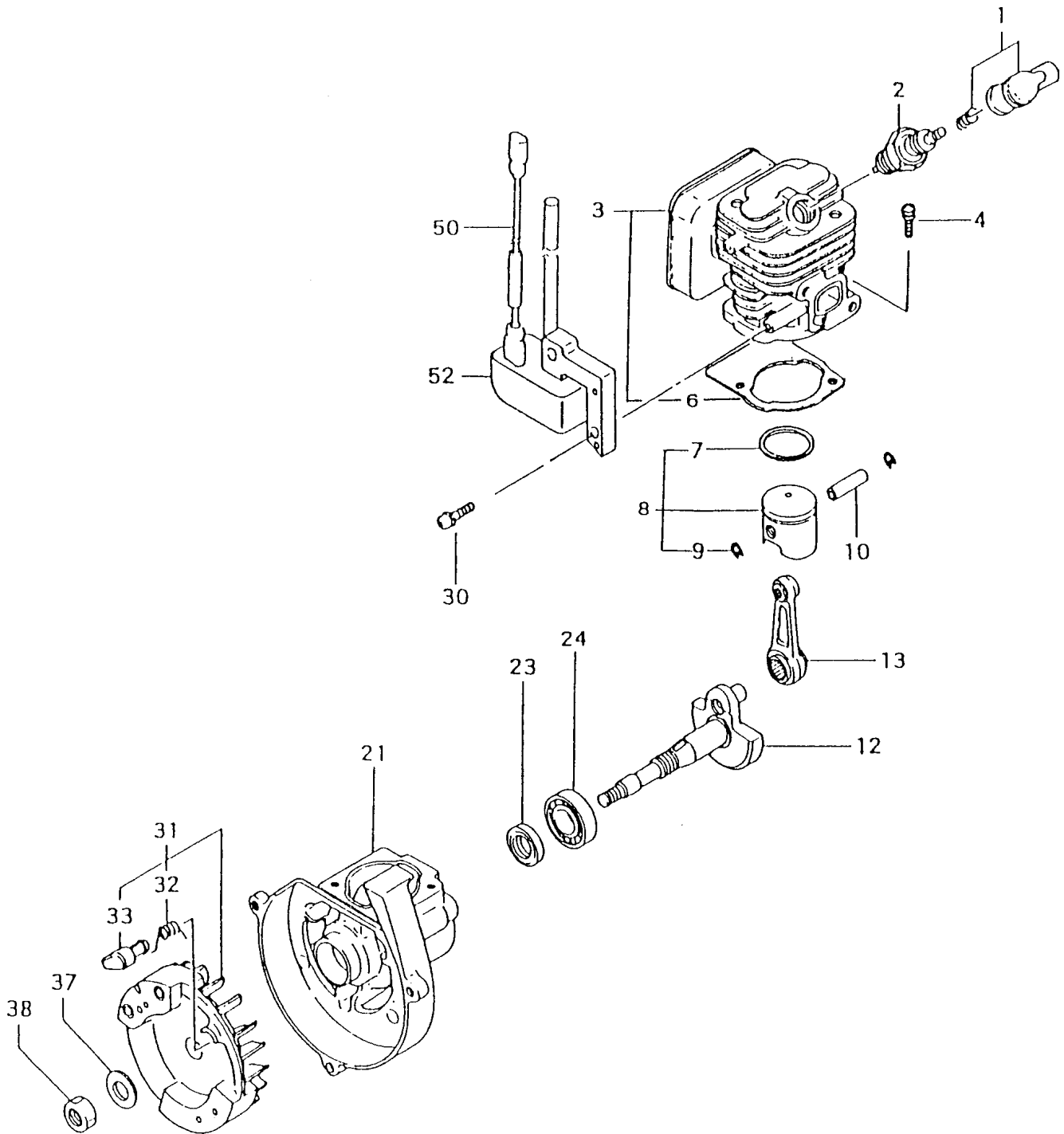
20cc Curved Shaft Grass Trimmer

P/N 27731

Rev 000

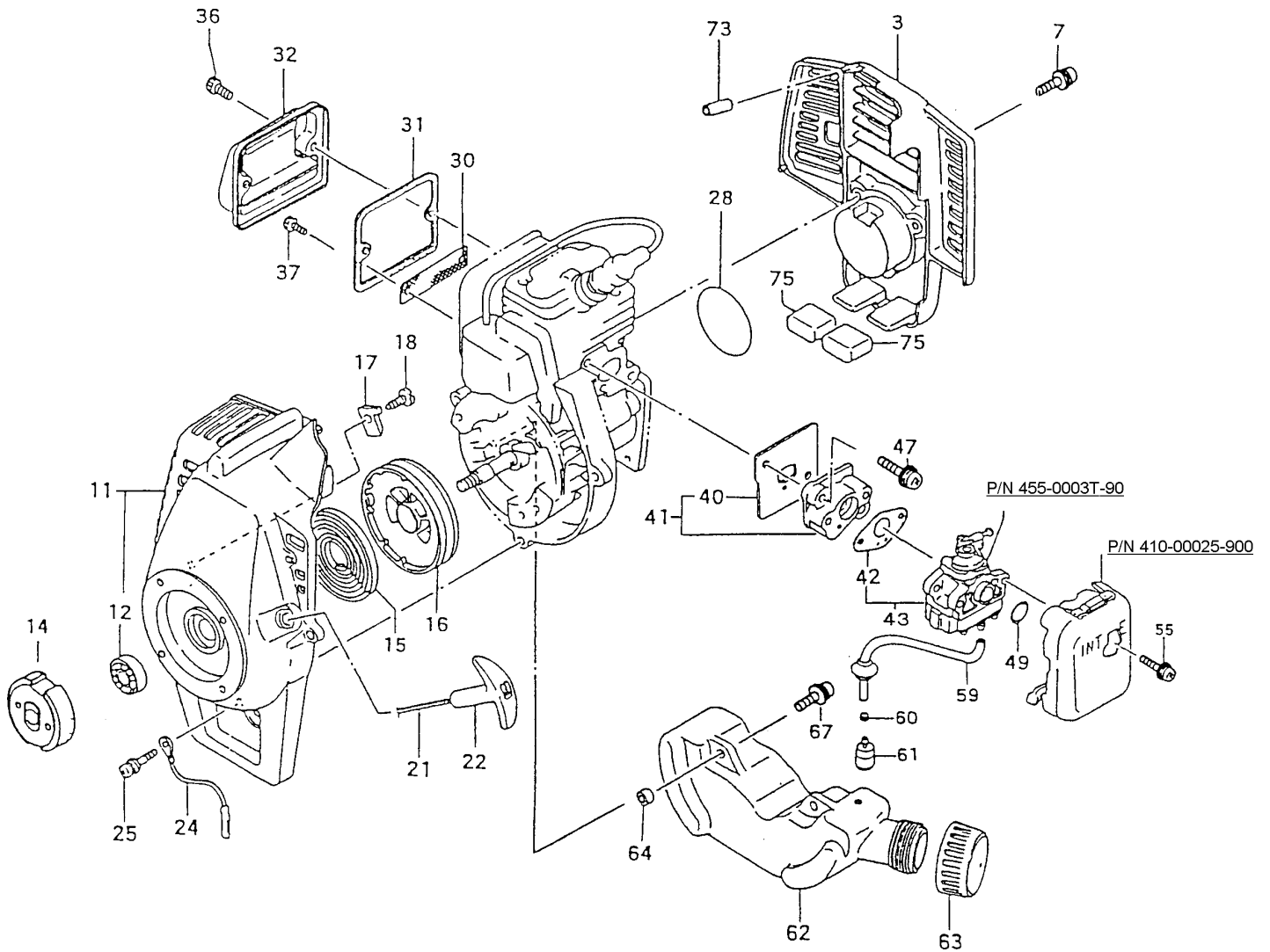
Date 8/2/99





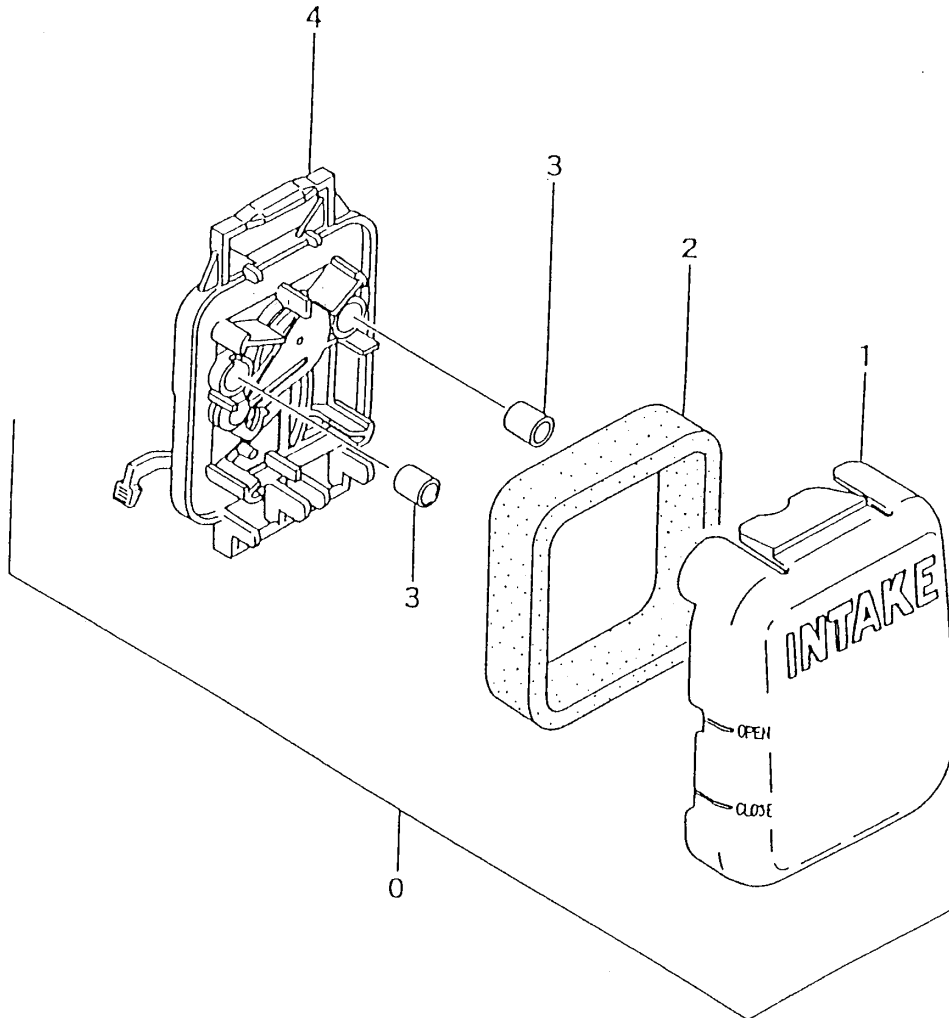
CYLINDER, PISTON, CRANKSHAFT • FIGURE 1

ITEM	PART NUMBER	DESCRIPTION	QTY	COMMENTS
1	157-01570-900	CAP, SPARK PLUG, ASS'Y	1	
2	018-11660-21	PLUG, SPARK	1	
3	001-00045-90	SET, CYLINDER	1	Includes cylinder gasket
4	994-16050-221	SCREW, 5X22/WS	2	
6	017-00025-200	GASKET, CYLINDER	1	
7	041-00000-21	RING, PISTON	1	
8	030-00045-90	SET, PISTON	1	Includes ring and circlips
9	039-06100-200	CIRCLIP, PISTON PIN	2	
10	037-06097-20	PIN, PISTON	1	
12	046-00025-80	CRANKSHAFT	1	
13	061-00025-800	ROD, CONNECTING	1	
21	077-00025-21	CRANKCASE	1	
23	999-66152-511	SEAL, OIL, #VE15X25X7	1	
24	999-61600-200	BEARING, BALL, #6002	1	
30	994-16040-201	SCREW, 4x20 WS	2	
31	155-21522-91	ROTOR, MAGNETO	1	Includes pawl and pawl spring
32	790-00025-200	SPRING, PAWL	1	
33	788-00025-200	PAWL, STARTER	1	
37	992-01120-011	WASHER, 12	1	
38	991-11120-011	NUT, 12	1	
50	178-00024-80	CORD	1	
52	167-21533-80	COIL, IGNITION ASSY	1	

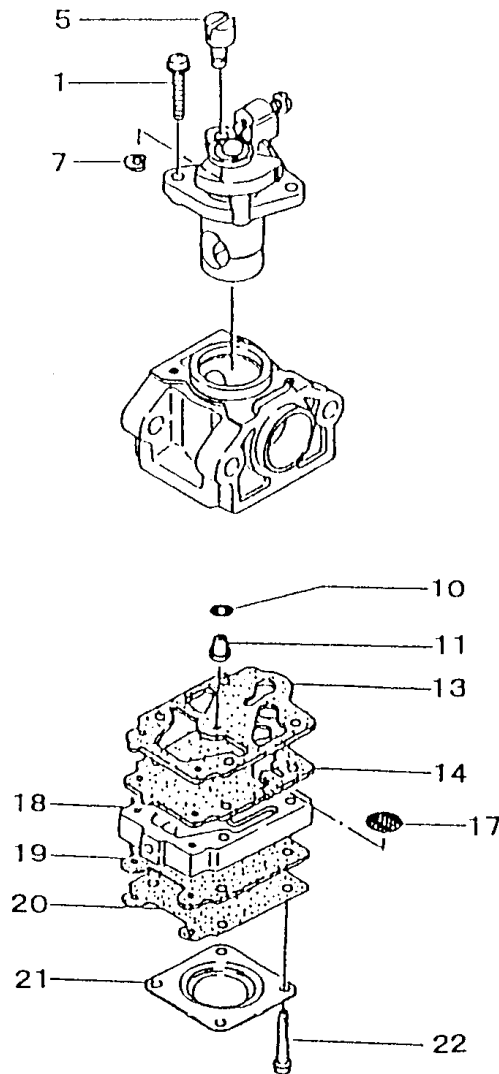


STARTER, FUEL SYSTEM, MUFFLER • FIGURE 2

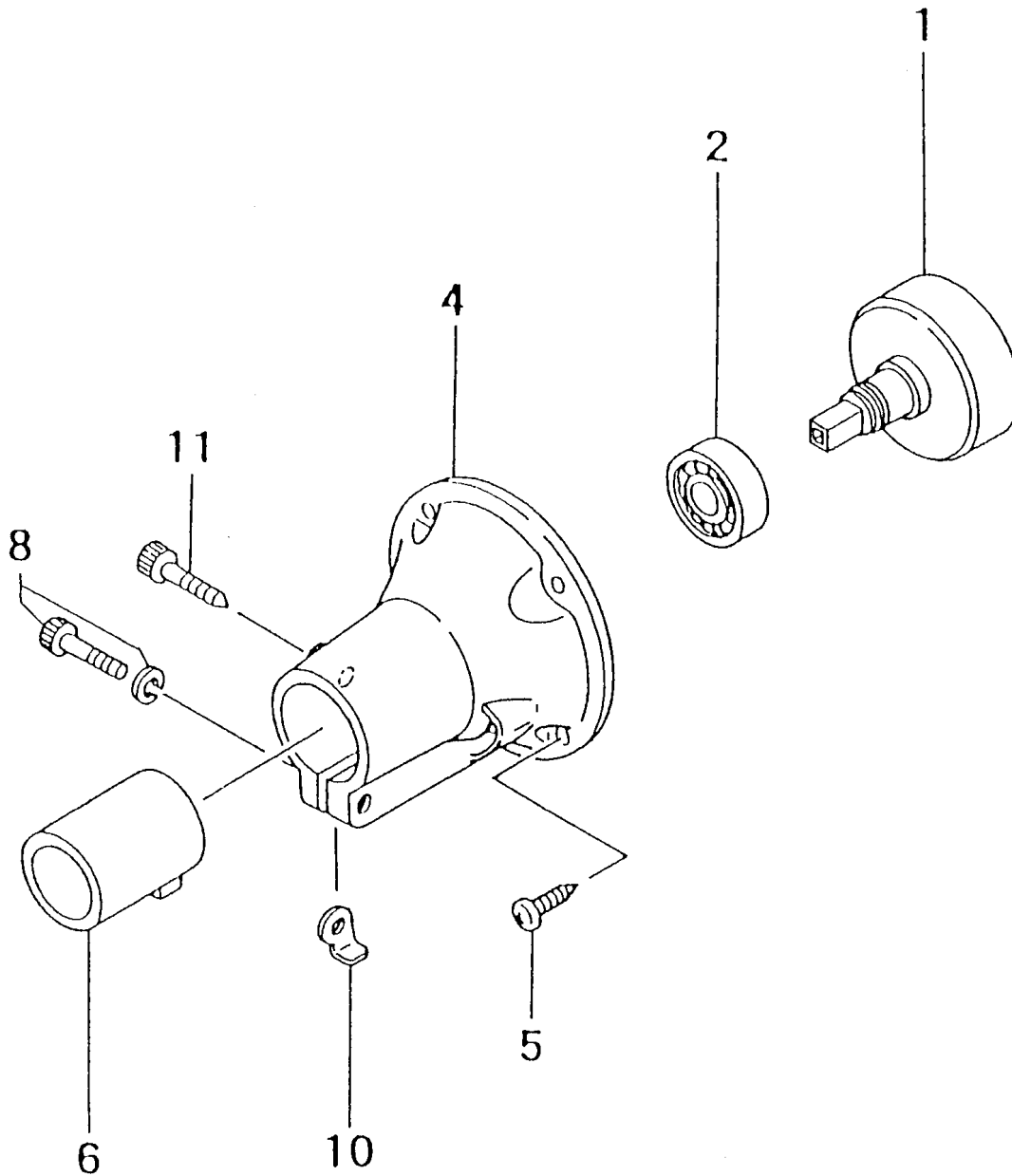
ITEM	PART NUMBER	DESCRIPTION	QTY	COMMENTS
3	752-00025-22	MUFFLER PROTECTOR	1	
7	994-15050-161	SCREW,5X16/PS	3	
11	112-00025-80	CASE,FAN	1	
12	999-61600-001	BEARING,BALL,#6000ZZ	1	
14	277-0635M-800	CLUTCH,ASS'Y	1	
15	779-0136U-200	SPRING,RECOIL	1	
16	774-00025-200	PULLEY,STARTER	1	
17	771-00025-200	STAY,PULLEY	2	
18	839-00025-200	SCREW,SET	2	
21	783-06097-200	ROPE,STARTER	1	
22	785-06410-200	HANDLE,STARTER	1	
24	179-00025-800	CORD,STOP	1	
25	994-16050-202	SCREW,5X20/WS	3	
28	999-67048-012	O-RING,S-48	1	
30	732-00025-200	SPARK ARRESTER SCREEN	1	
31	739-00025-20	GASKET,MUFFLER	1	
32	717-00025-801	MUFFLER COVER	1	
36	994-60050-104	BOLT,HEX 5x10W	2	
37	990-51040-083	BOLT,HEX.HOLE 4X8	2	
40	403-0631A20	GASKET, INLET MANIFOLD	1	
41	404-0099F-90	INSULATOR,CARBURETOR	1	
42	402-0602K-21	GASKET,CARBURETOR	1	
43	455-0003T-90	CARBURETOR	1	
47	994-16050-221	SCREW,5X22/WS	2	
49	999-67015-000	O-RING,P15	1	
55	994-16050-601	SCREW,5x60WS	2	
59	223-06500-90	PIPE,FUEL,ASS'Y	1	
60	680-00731-201	CLIP 6.3	1	
61	675-04042-80	FILTER,FUEL	1	
62	591-00025-22	TANK	1	
63	595-0650A-90	TANK CAP	1	
64	659-00801-200	COLLAR	2	
67	994-63050-185	BOLT,HEX 5X18PS	2	
73	700-15007-01	PIPE,RUBBER	1	
75	655-06400-200	CUSHION,TANK	2	



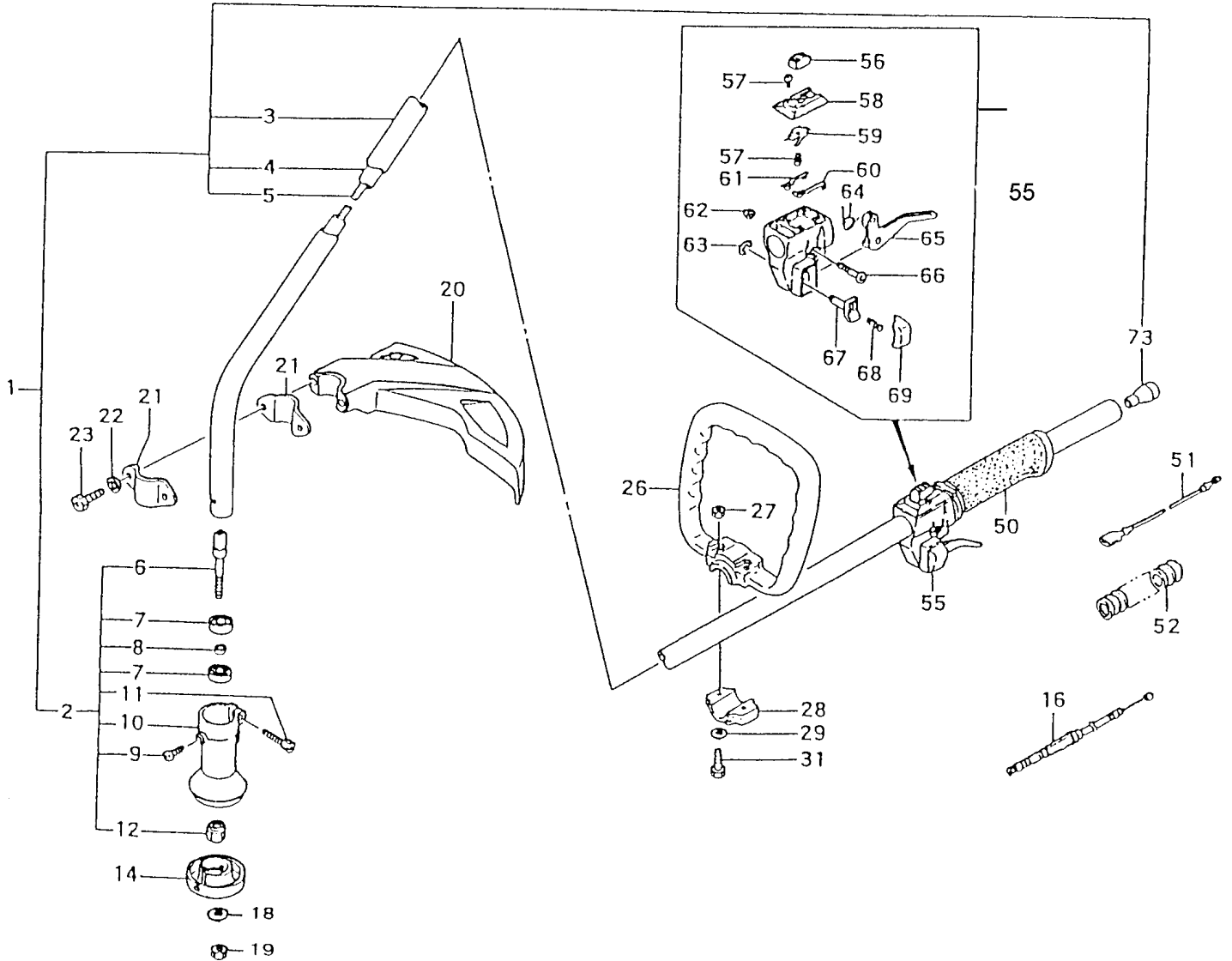
ITEM	PART NUMBER	DESCRIPTION	QTY	COMMENTS
0	410-00025-900	CLEANER,AIR ASS'Y	1	
1	424-00025-200	CAP,AIR CLEANER	1	
2	446-00025-200	ELEMENT,CLEANER	1	
3	470-00025-200	COLLAR	2	
4	423-00025-800	BODY,CLEANER,AIR	1	



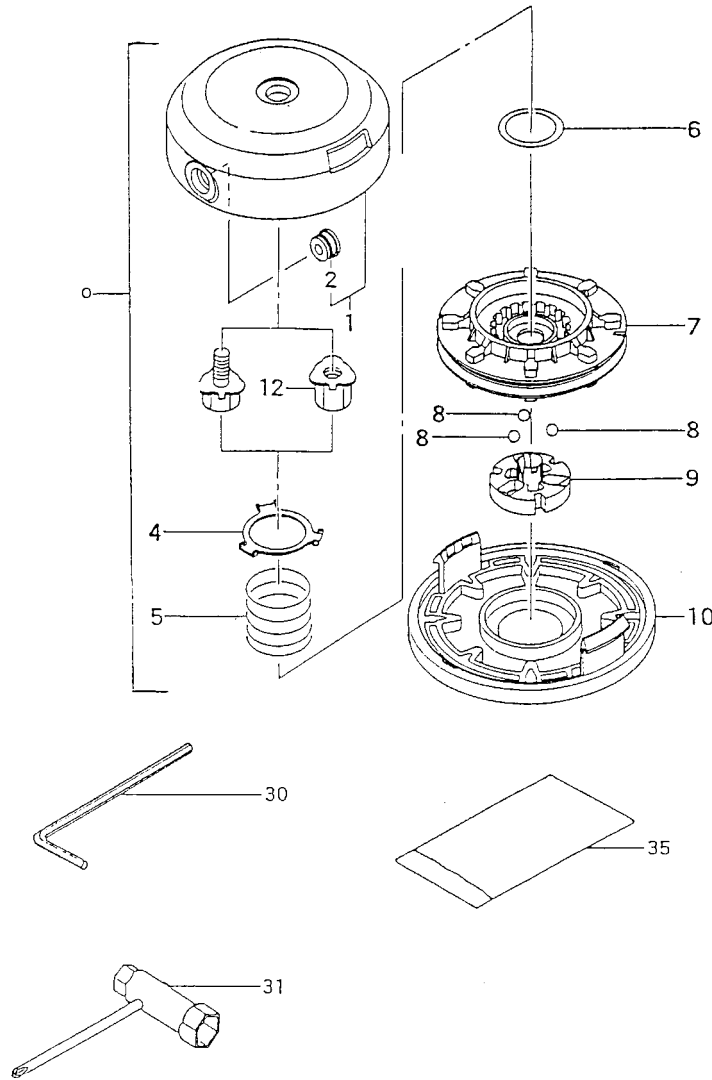
ITEM	PART NUMBER	DESCRIPTION	QTY	COMMENTS
0	455-0003T-90	CARBURETOR	1	*Contained in Carb Repair Kit
1	548-25140-200	SCREW, THROTTLE SET	2	P/N 650-25140-900
5	539-25120-200	SWIVEL	1	(Not available individually)
7	489-25100-200	RING, STOP	1	
10	550-25100-200	O-RING	1	
11	599-2000W-38	JET, MAIN # 38	1	
13	~	*GASKET, PUMP	1	
14	~	*DIAPHRAGM, PUMP	1	
17	~	*SCREEN, INLET	1	
18	575-25152-80	BODY, PUMP	1	
19	~	*GASKET, DIAPHRAGM .78mm	1	
20	~	*DIAPHRAGM, METERING	1	
21	476-25004-200	COVER, DIAPHRAGM	1	
22	548-25101-200	SCREW, SET	4	



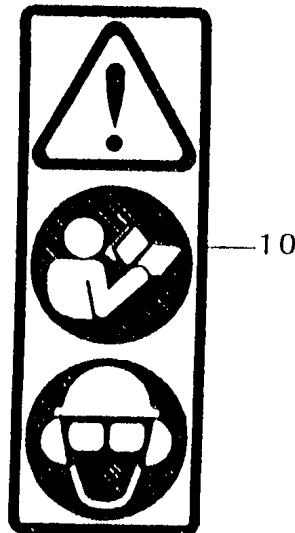
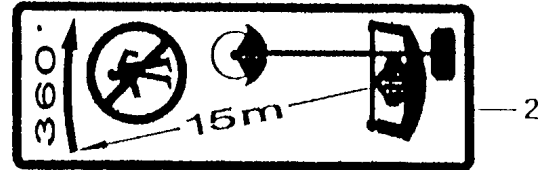
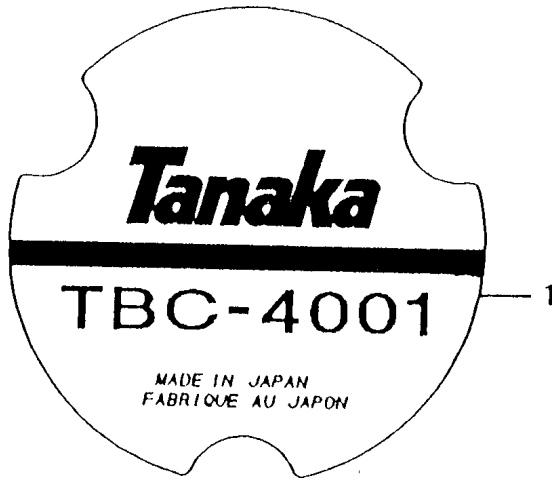
ITEM	PART NUMBER	DESCRIPTION	QTY	COMMENTS
1	289-00025-80	DRUM, CLUTCH	1	
2	999-61620-101	BEARING, BALL #6201ZZ	1	
4	331-00025-21	CASE, CLUTCH	1	
5	990-73050-184	SCREW, TAPPING, 5X18	4	
6	599-0635A-200	CUSHION	1	
8	994-61050-254	BOLT, HEX HOLE, 5X25S	1	
10	249-0630G-201	SPACER	1	
11	380-0635D-200	BOLT, SPECIAL	1	



ITEM	PART NUMBER	DESCRIPTION	QTY	COMMENTS
1	343-37718-00	PIPE,DRIVE SHAFT SET	1	
2	300-37710-90	CASE,GEAR,ASS'Y	1	
3	341-37715-20	PIPE,DRIVE SHAFT	1	
4	350-37651-210	LINER,FLEXIBLE	1	
5	344-37651-21	SHAFT,FLEXIBLE	1	
6	304-37651-21	SHAFT,CUTTER	1	
7	999-61608-004	BEARING,BALL,608DD	2	
8	348-37651-20	COLLAR	1	
9	990-11050-081	SCREW,5X8	1	
10	300-37710-20	CASE,GEAR	1	
11	994-25050-301	BOLT,PS,5X30	1	
12	315-37710-200	NUT,SPECIAL	1	
14	310-37710-20	HOLDER,CUTTER	1	
16	885-00025-800	WIRE,THROTTLE	1	
18	992-01080-011	WASHER,8	1	
19	991-01080-011	NUT,8	1	
20	441-37701-810	COVER,SAFETY	1	
21	442-37710-200	BRACKET,SAFETY GUARD	2	
22	992-10060-012	WASHER,S,6	2	
23	990-23060-161	BOLT,6X16 PLUS	2	
26	500-37704-20	HANDLE	1	
27	991-01060-011	NUT,6	2	
28	506-37704-200	BRACKET,HANDLE A	1	
29	992-01060-011	WASHER,6	2	
31	990-23060-401	BOLT,P,6X40	2	
50	504-37400-200	GRIP,SHAFT	1	
51	178-37300-801	CORD,STOP 230mm	2	
52	164-10014-010	TUBE,PROTECTION	1	
55	870-37400-900	LEVER,THROTTLE ASS'Y	1	
56	162-37101-200	SWITCH,STOP	1	
57	993-42030-081	SCREW, TAPPING, 3X8	3	
58	259-37101-200	BASE,STOP SWITCH	1	
59	262-37101-200	SPRING,STOP SWITCH	1	
60	177-37101-200	TERMINAL,EARTH B	1	
61	176-37101-200	TERMINAL,EARTH A	1	
62	991-86050-000	NUT,LOCK,5	1	
63	993-55060-001	RING,STOP,6	1	
64	832-37101-200	SPRING,RETURN	1	
65	880-37101-200	LEVER,THROTTLE	1	
66	994-31050-251	SCREW,S.,5X25	1	
67	853-37101-200	SHAFT,LOCK BUTTON	1	
68	958-37101-200	SPRING,LOCK,BUTTON	1	
69	956-37101-200	BUTTON,LOCK	1	
73	320-37651-200	SPACER	1	



ITEM	PART NUMBER	DESCRIPTION	QTY	COMMENTS
0	783-33822-90	BRAIN TH-97RB CUR SHT	1	
1	786-33810-91	CUTTING BODY ASSY	1	
2	788-33071-20	EYELET	1	
4	785-33810-20	BASE,ADJUSTMENT	1	
5	793-33820-20	SPRING,REEL,BLUE	1	
6	792-33810-20	WASHER,ADJUSTMENT	1	
7	787-33810-20	REEL	1	
7	787-33821-20	REEL,TH-97B/RB	1	
8	673-35600-20	BALL,STEEL	3	
9	790-33810-20	SLIDER,REEL	1	
10	789-33810-20	CAP,BODY	1	
12	315-33822-80	NUT, MOUNTING	1	
30	813-20000-200	WRENCH,HEX,4	1	
31	829-20000-80	SPANNER,COMBI,13X19	1	
35	948-39907-200	BAG,TOOL	1	



ITEM	PART NUMBER	DESCRIPTION	QTY	COMMENTS
1	906-0004C-20	DECAL, TBC-4001	1	
2	919-37286-20	DECAL, CAUTION	1	
3	915-05015-200	DECAL, SYMBOL	1	
4	923-37400-200	DECAL, LEVEL	1	
10	920-32466-20	DECAL, CAUTION	1	

Date: September 2000

Model & Serial: AST-210, TBC-2211 (1)
TBC-4001, TBC-2251 (2)

Reason: Some units experienced difficulty in properly feeding line. The spring within the head has been changed to ensure proper feeding.

Part Number Changes:

Old Part #	New Part #	Description	Remarks
783-33815-90	783-33817-90	Brain Head (1)	Marking on body changed from NB to NBY
793-33810-21	793-33810-22	Spring (1)	Color has been changed from black to black & yellow
783-33822-90	783-33823-90	Brain Head (2)	Marking on body changed from RB to RYB
793-33820-20	793-33820-21	Spring (2)	Color has been changed from silver to silver & yellow

Tanaka is marketed exclusively by:

