

# **Tanaka** Illustrated Parts Manual

Model Number:

**TBL-450**

**BACKPACK BLOWER**

P/N 11104

Rev 000

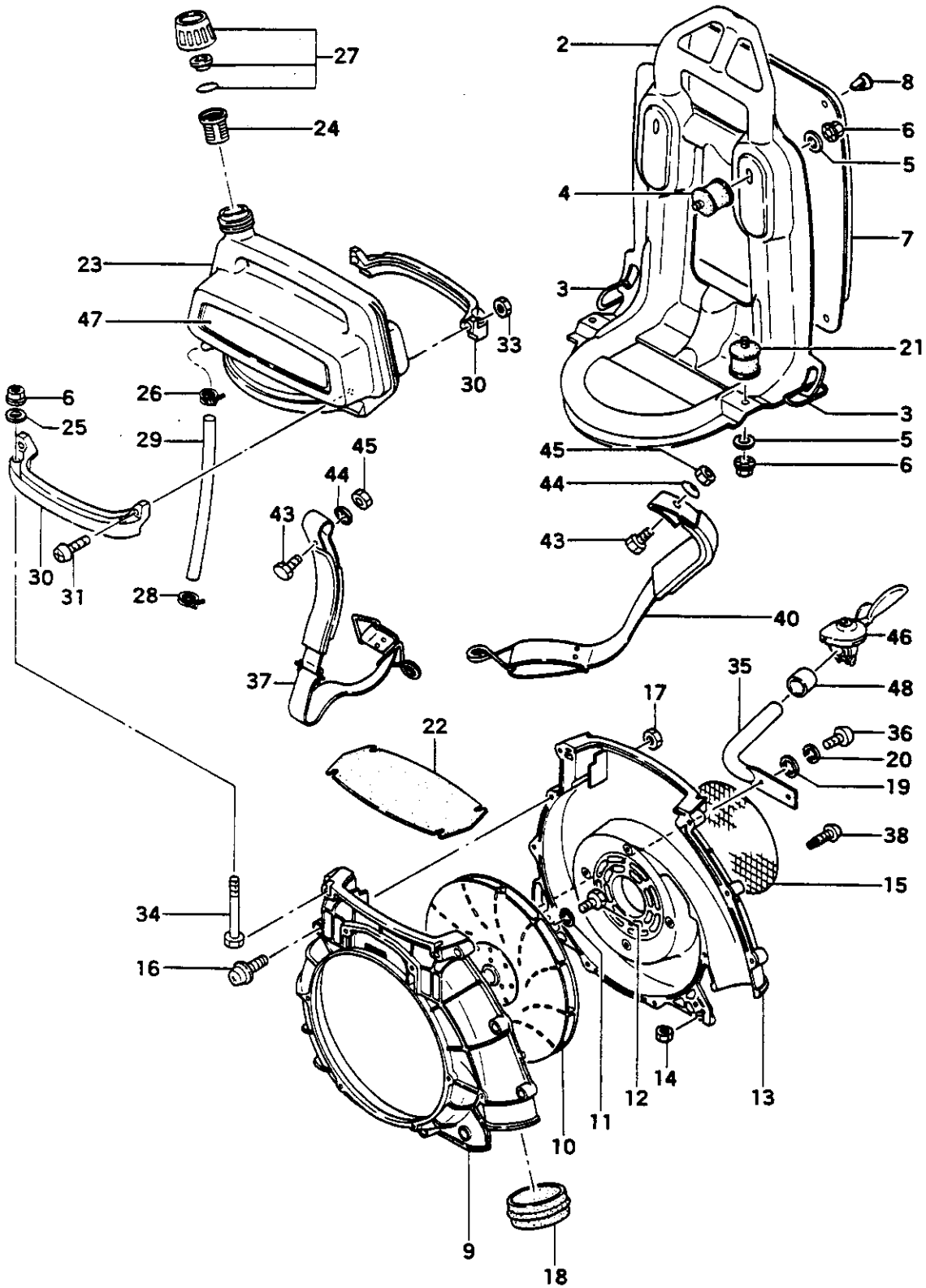
Date 10-01-00

*Supplier To The Outdoor Power Equipment Industry*

---

ISM, Inc. • 1028 4<sup>th</sup> Street SW • Auburn, WA 98001 • Phone: (253) 333-1200 • Fax: (253) 333-1212

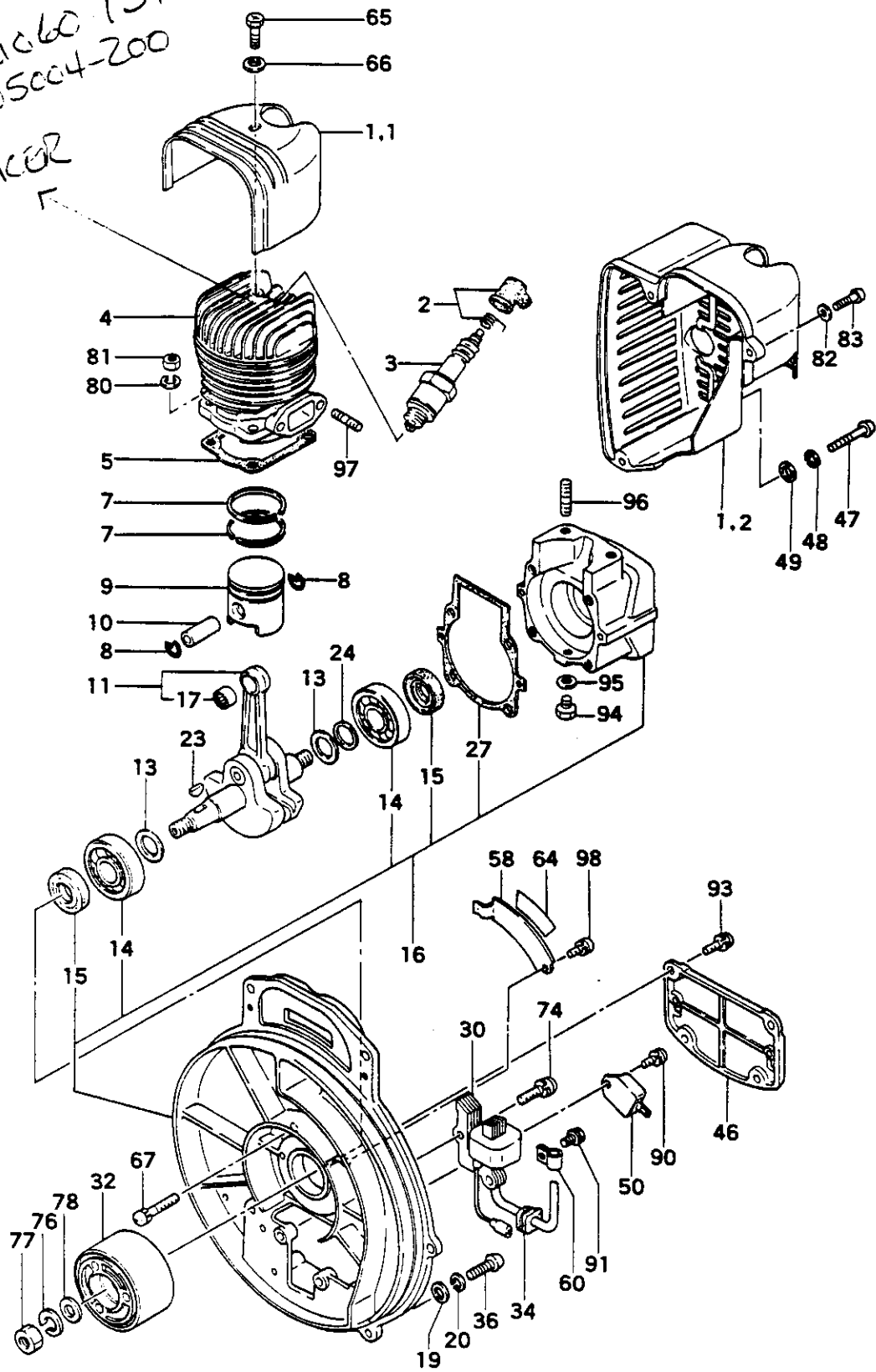
**FIG. 1 MAIN BODY**



REFERENCE NUMBER	PRODUCTION PART NUMBER	PART NAME	QUANTITY	SERIAL NUMBER	SPARE PART NUMBER
<b>FIG.1 MAIN BODY</b>					
1-002	020-31307-210	KNAPSACK FRAME	1		020 0111 5
1-003	028-31307-200	RING	2		028 0130 6
1-004	030-31307-200	CUSHION RUBBER	4	-0146326	030 0190 5
1-004	030-31307-200	CUSHION RUBBER	2	0146327-	030 0190 5
1-005	992-01060-011	WASHER 6	4		992 0040 8
1-006	029-31307-200	FLANGE NUT 6	8		029 0110 9
1-007	021-31307-210	CUSHION PAD	1		021 0131 6
1-008	024-31305-200	FASTENER	4		024 0090 7
1-009	010-31307-200	FAN CASE E	1	-C123250	010 0440 3
1-009	010-31307-210	FAN CASE E /ORANGE	1	C123251-	010 0441 2
1-010	127-31307-200	FAN	1		127 0120 3
1-011	992-10060-011	S.WASHER 6	3		992 1018 8
1-012	990-21060-161	HEX. BOLT 6X16	3		990 2037 8
1-013	011-31307-200	FAN CASE S	1	-C123250	011 0170 2
1-013	011-31307-210	FAN CASE S /ORANGE	1	C123251-	011 0171 1
1-014	032-31307-200	NUT 6	2		032 0130 7
1-015	050-31307-200	PROTECTION NET	1	0146327-	050 0480 3
1-016	994-13050-351	SCREW 5X35/P	11		994 1080 9
1-017	991-01050-012	NUT 5	11		991 0016 4
1-018	100-31305-200	PIPE BAND	1		100 0370 9
1-019	992-01050-011	WASHER 5	2		992 0035 6
1-020	992-10050-011	S.WASHER 5	2		992 1011 5
1-021	031-31307-200	CUSHION RUBBER	2	0146327-	031 0690 7
1-022	593-31307-200	OIL SEAT GASKET	1		593 0300 2
1-023	591-31307-210	FUEL TANK	1	-C123250	591 1471 8
1-023	591-31307-220	FUEL TANK	1	C123251-	591 1472 7
1-024	603-31305-200	FUEL STRAINER	1		603 0300 6
1-025	992-00060-011	SMALL WASHER 6	4		992 0013 4
1-026	607-31407-200	WIRE CLAMP	1	E047001-	607 0550 5
1-027	600-31305-900	TANK CAP ASS'Y	1		600 0210 9
1-028	607-31305-200	WIRE CLAMP	2	-E047000	607 0470 6
1-028	607-31305-200	WIRE CLAMP	1	E047001-	607 0470 6
1-029	700-08012-370	VINYL PIPE 8X12X370L	1		700 1430 9
1-030	592-31307-200	TANK BRACKET	2	-C123250	592 0970 2
1-030	592-31307-210	TANK BRACKET/ORANGE	2	C123251-	592 0971 1
1-031	990-11060-351	SCREW 6X35	2		990 1149 7
1-033	991-01060-012	NUT 6	2		991 0023 4
1-034	990-21060-401	BOLT 6X40	4		990 2056 3
1-035	015-31305-210	LEVER BRACKET	1		015 0171 9
1-036	990-11050-151	SCREW 5X15	2		990 1069 8
1-037	022-31307-810	KNAPSACK BAND COMP.	1		022 0211 2
1-038	993-11050-162	TAPPING SCREW 5X16	4	-0146326	993 1007 9
1-038	993-11050-122	TAPPING SCREW 5X12	4	0146327-	993 1011 2
1-040	019-31307-810	KNAPSACK BAND COMP.	1		019 0111 5
1-043	025-31305-200	S.BOLT	2		025 0030 2
1-044	026-30305-200	CUP WASHER	2		026 0150 6
1-045	991-01060-011	HEX. NUT 6	2		991 0022 5
1-046	870-01228-900	THROTTLE LEVER ASS'Y	1		870 0240 3
1-047	929-05008-201	SYMBOL MARK	1	-0146326	929 0060 0
1-047	929-05008-210	SYMBOL MARK	1	0146327-	929 0061 9
1-048	700-15019-025	VINYL PIPE 15X19X25L	1		700 2240 9

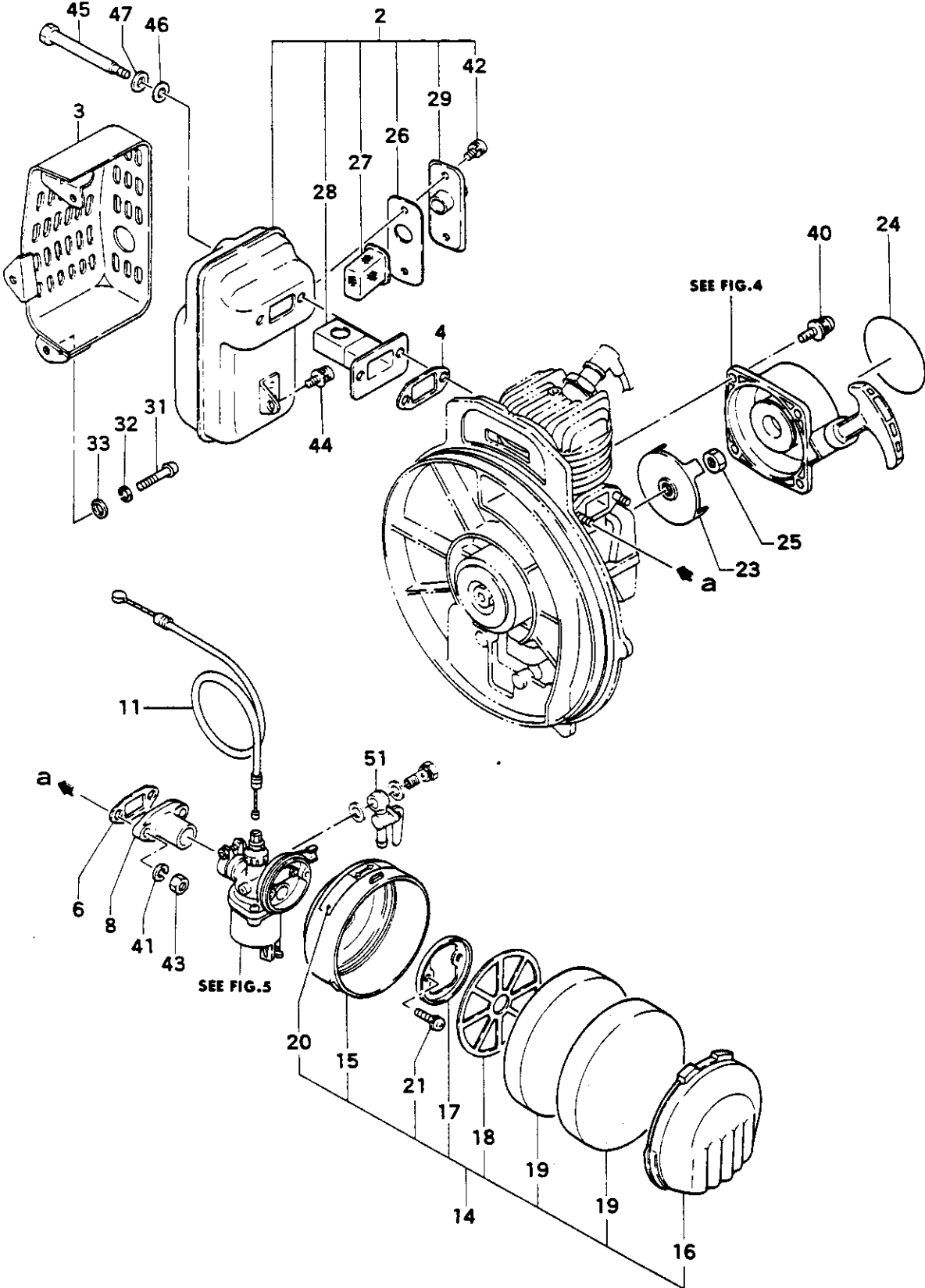
# FIG.2 ENGINE

990-21060-151  
249-05004-200  
SPACER



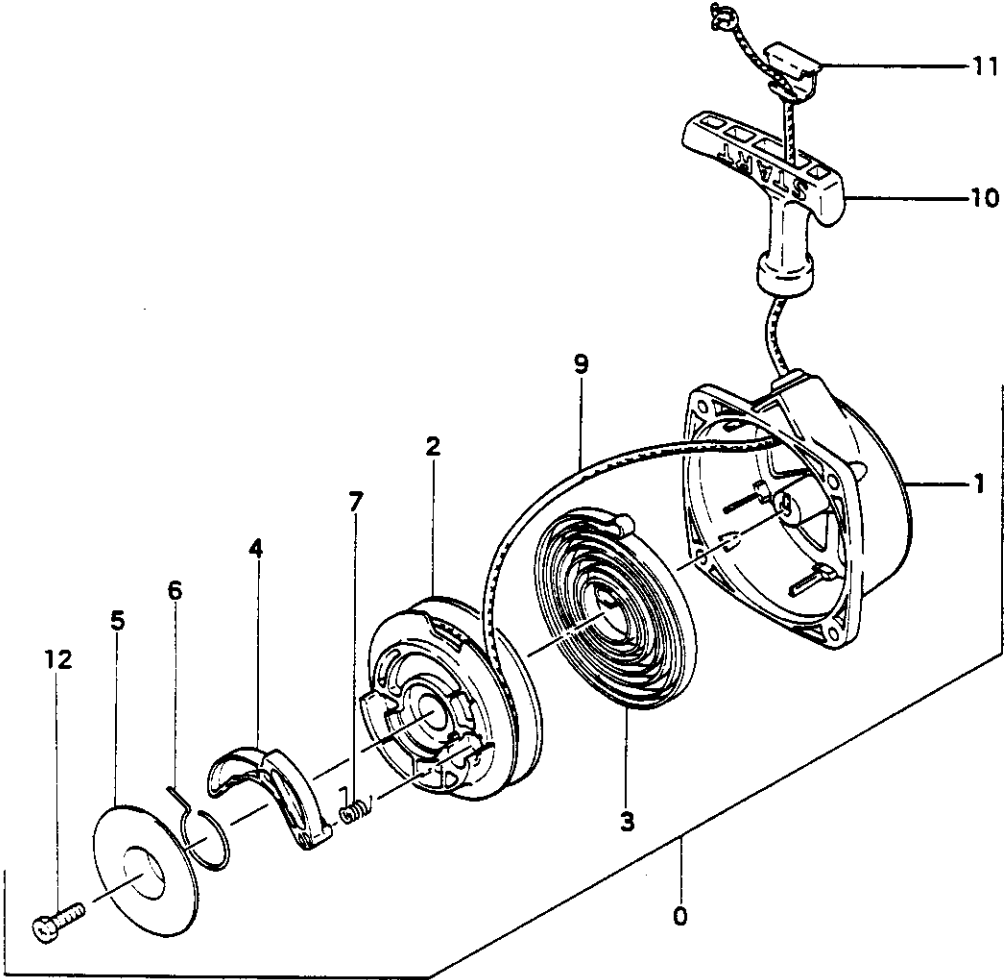
REFERENCE NUMBER	PRODUCTION PART NUMBER	PART NAME	QUANTITY	SERIAL NUMBER	SPARE PART NUMBER
<b>FIG.2 ENGINE</b>					
2-001.1	016-05004-200	CYLINDER SHROUD	1	-C112246	016 0450 2
2-001.2	016-05004-210	CYLINDER SHROUD	1	C112247-	016 0451 1
2-002	157-04000-900	SPARK PLUG CAP ASS'Y	1		157 0050 0
2-003	018-11401-200	SPARK PLUG B-7S	1		018 0240 3
2-004	002-05004-200	CYLINDER	1	-C112246	002 0490 9
2-004	002-05004-210	CYLINDER	1	C112247-	002 0491 8
2-005	017-02100-202	CYLINDER GASKET	1		017 0110 2
2-007	041-05000-200	PISTON RING	2		041 0070 8
2-008	039-05004-200	PISTON PIN CIRCLIP	2		039 0220 2
2-009	031-05004-810	PISTON COMP.	1		031 0151 3
2-010	037-01000-200	PISTON PIN 10X30	1		037 0020 2
2-011	046-05004-825	CRANK SHAFT COMP.	1		046 0502 7
2-013	070-10700-200	CRANK SHAFT WASHER	2		070 0040 9
2-014	999-61630-300	BALL BEARING #6303	2		999 6153 8
2-015	999-66173-000	OIL SEAL 17307	2		999 6632 0
2-016	072-05004-912	CRANK CASE ASS'Y	1		072 0151 2
2-017	999-62101-004	NEEDLE BEARING F1010B	1		999 6208 1
2-019	992-01050-011	WASHER 5	6		992 0035 6
2-020	992-10050-011	S.WASHER 5	6		992 1011 5
2-023	068-02000-200	WOOD-RUFF KEY 3X13X5	1		068 0040 2
2-024	071-11109-200	CRANK SHAFT SHIM 0.05	V		071 0080 4
2-024	071-11109-210	CRANK SHAFT SHIM 0.10	V		071 0081 3
2-024	071-11109-220	CRANK SHAFT SHIM 0.15	V		071 0082 2
2-024	071-11109-230	CRANK SHAFT SHIM 0.20	V		071 0083 1
2-024	071-11109-240	CRANK SHAFT SHIM 0.30	V		071 0084 0
2-027	090-05004-211	CRANK CASE GASKET	1		090 0150 5
2-030	167-21800-800	IGNITION COIL COMP.	1		167 0640 4
2-032	155-21800-800	MAGNETO ROTOR COMP.	1		155 0640 7
2-034	202-10200-201	SECONDARY CORD GROMMET	1		202 0100 9
2-036	990-11050-151	SCREW 5X15	6		990 1069 8
2-046	195-05008-200	COIL COVER	1		195 0040 1
2-047	990-11060-201	SCREW 6X20	1	C112247-	990 1133 6
2-048	992-10060-011	S.WASHER 6	1	C112247-	992 1018 8
2-049	992-01060-011	WASHER 6	1	C112247-	992 0040 8
2-050	159-21800-800	I.C. UNIT	1		159 0450 6
2-058	665-05004-201	CASE PLATE	1		665 0000 9
2-060	198-00701-201	CORD CLAMP	1	B121434-	198 0050 9
2-064	719-05004-200	CAUTION MARK	1		719 0060 7
2-065	990-21060-101	BOLT 6X10	1	-C112246	990 2031 4
2-066	992-01060-011	WASHER 6	1	-C112246	992 0040 8
2-067	994-14060-351	SCREW 6X35/S	4		994 1052 6
2-074	994-14050-221	SCREW 5X22/S	2		994 1034 0
2-076	992-10100-012	S.WASHER 10	1		992 1031 9
2-077	991-11100-011	NUT 10	1		991 1008 4
2-078	992-00100-011	SMALL WASHER 10	1		992 0017 0
2-080	992-10060-012	S.WASHER 6	4		992 1019 7
2-081	991-01060-011	HEX. NUT 6	4		991 0022 5
2-082	992-00050-011	SMALL WASHER 5	2	C112247-	992 0009 1
2-083	990-11050-201	SCREW 5X20	2	C112247-	990 1077 7
2-090	994-14040-101	SCREW 4X10/S	1		994 1018 2
2-091	994-13050-101	SCREW 5X10/P	1		994 1012 8
2-093	994-14050-161	SCREW 5X16/S	4		994 1031 3
2-094	990-21060-081	BOLT 6X8	1		990 2030 5
2-095	727-01040-201	DRAIN GASKET	1		727 0010 9
2-096	100-02000-200	STUD BOLT 6X24	4		100 0070 0
2-097	100-02100-200	STUD BOLT 6X22	2	-B185590	100 0090 4
2-097	100-02000-200	STUD BOLT 6X24	2	B185591-	100 0070 0
2-098	994-14050-101	SCREW 5X10/S	1		994 1027 0

# FIG.3 ENGINE & CLEANER



REFERENCE NUMBER	PRODUCTION PART NUMBER	PART NAME	QUANTITY	SERIAL NUMBER	SPARE PART NUMBER
<b>FIG.3 ENGINE &amp; CLEANER</b>					
3-002	705-05008-900	MUFFLER ASS'Y	1		705 0920 3
3-003	738-05008-800	MUFFLER PROTECTOR COMP.	1	-C112246	738 1040 9
3-004	737-05004-200	MUFFLER GASKET	1		737 0180 4
3-006	403-02000-201	INLET MANIFOLD GASKET	1		403 0110 5
3-008	373-05004-200	INLET MANIFOLD	1		393 0180 0
3-011	885-05006-800	THROTTLE WIRE COMP.	1		885 1470 7
3-014	410-05004-910	CLEANER ASS'Y	1	-B160806	410 0411 5
3-014	410-05004-900	CLEANER ASS'Y	1	B160807-	410 0410 6
3-015	423-03100-201	CLEANER BODY	1		423 0181 9
3-016	424-03112-200	CLEANER CAP	1		424 0210 1
3-017	425-03000-200	CLEANER HOLDER A	1		425 0100 8
3-018	426-02502-200	CLEANER HOLDER B	1		426 0080 8
3-019	444-05004-200	CLEANER ELEMENT A	2		444 0090 7
3-020	907-05004-200	CLEANER MARK	1		907 0140 9
3-021	990-14040-121	SCREW 4X12	2		990 1206 5
3-023	798-05008-200	STARTER PULLEY	1		798 0320 3
3-024	906-05008-201	NAME PLATE	1		906 0630 0
3-025	991-11100-013	NUT 10	1		991 1009 3
3-026	751-05008-200	TAIL PIPE GASKET	1	C123351-	751 0100 2
3-027	732-05008-200	SPARK ARRESTER	1	C123351-	732 0050 5
3-028	719-05008-800	MUFFLER PIPE COMP.	1	C123351-	719 0610 8
3-029	721-05008-800	TAIL PIPE COMP.	1	C123351-	721 0580 1
3-031	990-1050-081	SCREW 5X8	3	-C112246	990 1060 7
3-032	992-10050-011	S.WASHER 5	3	-C112246	992 1011 5
3-033	992-00050-011	SMALL WASHER 5	3	-C112246	992 0009 1
3-040	994-15050-161	SCREW 5X16/PS	4		994 1061 4
3-041	992-10060-012	S.WASHER 6	2		992 1019 7
3-042	994-14040-101	SCREW 4X10/S	2		994 1018 2
3-043	991-01060-013	NUT 6	2		991 0024 3
3-044	994-15060-101	SCREW 6X10/PS	1	-E047000	994 1065 0
3-044	994-15060-121	SCREW 6X12/PS	1	E047001-	994 1066 9
3-045	750-05004-201	MUFFLER BOLT	2		750 0010 9
3-046	751-05004-212	MUFFLER SPECIAL GASKET	2		751 0041 6
3-047	992-01080-011	WASHER 8	2		992 0047 1
3-051	592-00750-900	PET-COCK ASS'Y	1		592 0060 8

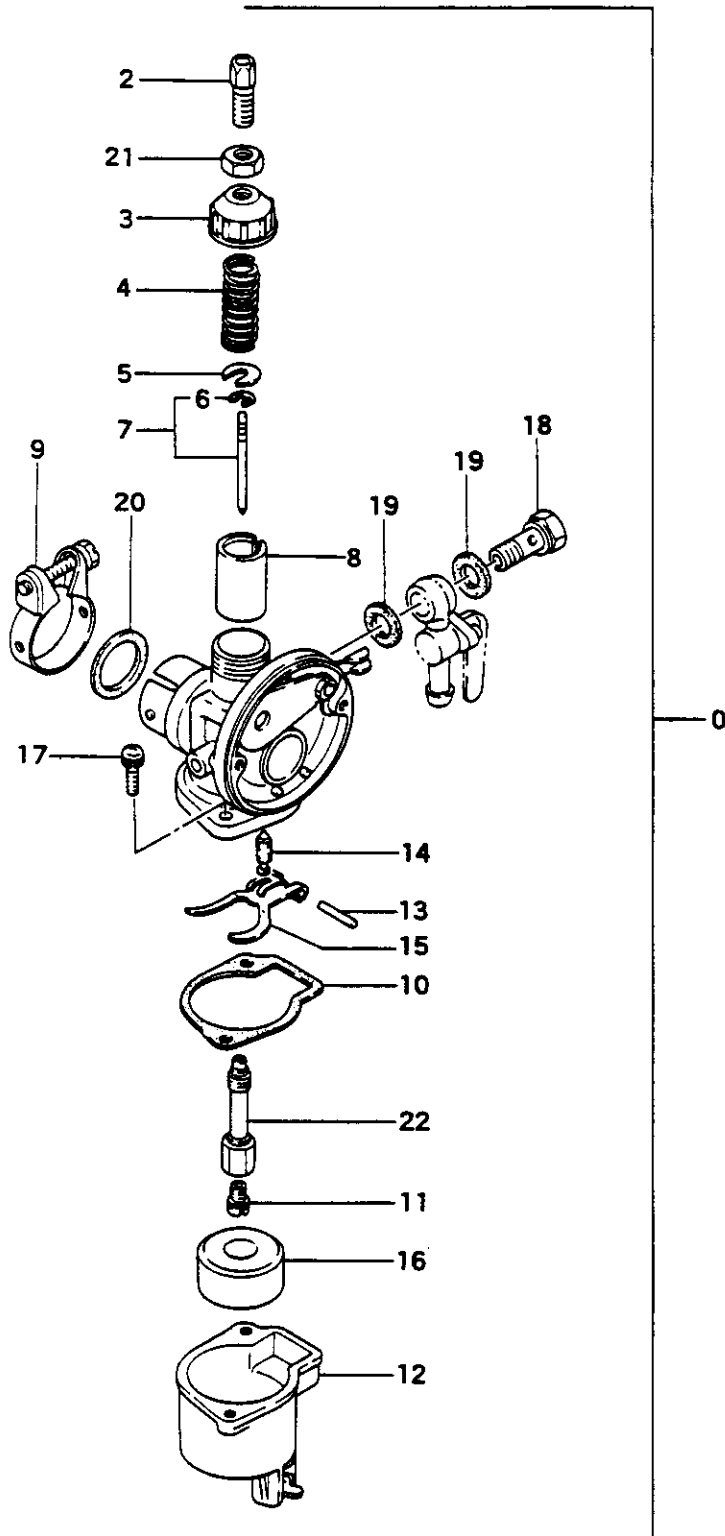
**FIG.4 RECOIL STARTER**





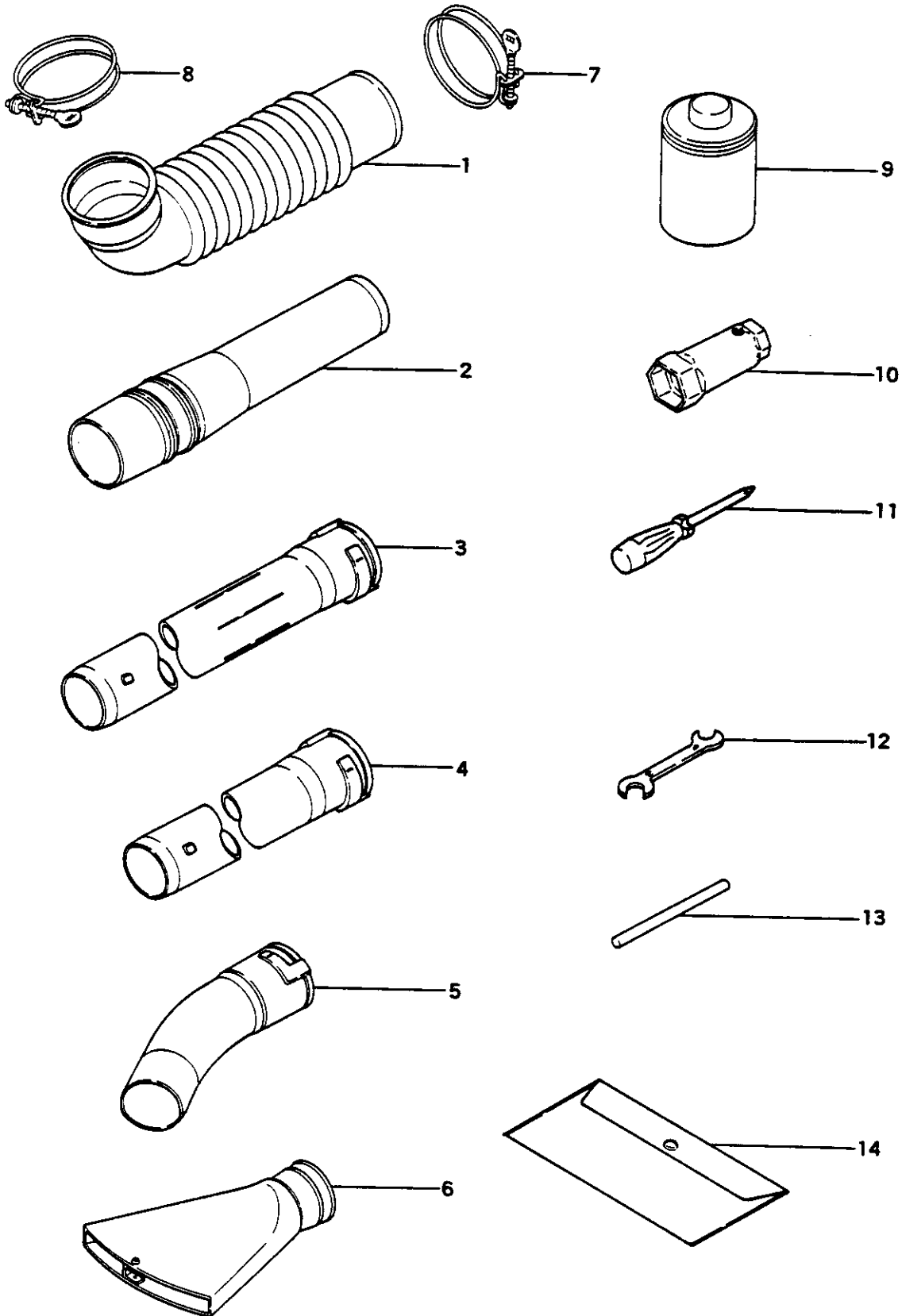
REFERENCE NUMBER	PRODUCTION PART NUMBER	PART NAME	QUANTITY	SERIAL NUMBER	SPARE PART NUMBER
<b>FIG.4 RECOIL STARTER</b>					
4-000	756-05008-900	RECOIL STARTER ASSY	1		756 0920 5
4-001	772-05004-800	RECOIL STARTER BODY COMP.	1		772 0530 8
4-002	769-05004-200	STARTER ROPE REEL	1		769 0170 0
4-003	779-05004-200	RECOIL SPRING	1		779 0220 1
4-004	788-05004-200	STARTER PAWL	1		788 0200 3
4-005	837-05004-200	FRICION PLATE	1		837 0140 7
4-006	836-05004-200	FRICION SPRING	1		836 0160 4
4-007	832-05004-200	RETURN SPRING	1		832 0160 6
4-009	783-05004-200	ROPE	1		783 0230 9
4-010	785-05004-200	STARTER HANDLE	1		785 0210 9
4-011	835-05004-200	HANDLE CAP	1		835 0040 0
4-012	839-05004-200	SET BOLT	1		839 0070 9

# FIG. 5 CARBURETOR



REFERENCE NUMBER	PRODUCTION PART NUMBER	PART NAME	QUANTITY	SERIAL NUMBER	SPARE PART NUMBER
<b>FIG.5 CARBURETOR</b>					
5-000	455-21011-920	CARBURETOR ASS'Y	1		455 0872 5
5-002	597-20400-200	CABLE ADJUSTER	1	-0146326	597 0040 9
5-002	597-21011-200	CABLE ADJUSTER	1	0146327-	597 0220 1
5-003	595-20202-200	BODY CAP	1		595 0240 1
5-004	594-20200-200	THROTTLE VALVE SPRING	1		594 0030 1
5-005	619-20200-200	THROTTLE SPRING RECEIVER	1		619 0060 4
5-006	593-20200-200	JET NEEDLE CLIP	1		593 0130 7
5-007	592-21011-950	JET NEEDLE ASS'Y	1		592 1231 1
5-008	591-21011-200	THROTTLE VALVE	1	-0146326	591 1480 6
5-008	591-21011-210	THROTTLE VALVE	1	0146327-	591 1481 5
5-009	561-20202-900	OUTLET CLIP ASS'Y	1		561 0030 1
5-010	607-20200-200	FLOAT CHAMBER GASKET	1		607 0240 9
5-011	599-21011-200	MAIN JET	1	-0146326	599 0600 3
5-011	599-21011-210	MAIN JET	1	0146327-	599 0601 2
5-012	606-21011-900	FLOAT CHAMBER ASS'Y	1		606 0350 2
5-013	605-21011-200	HINGE PIN	1		605 0290 0
5-014	603-21011-200	NEEDLE VALVE	1		603 0340 4
5-015	628-21011-200	FLOAT HINGE	1		628 0690 9
5-016	604-21011-200	FLOAT	1		604 0290 3
5-017	994-14040-100	SCREW 4X10/S	2		994 1017 3
5-018	501-21700-200	FUEL INLET BOLT	1		501 0170 4
5-019	500-21700-200	FUEL INLET GASKET	2		500 0330 5
5-020	571-20202-200	FLANGE GASKET	1		571 0020 7
5-021	542-20200-200	CABLE ADJUST LOCK NUT	1		542 0030 2
5-022	598-21011-200	NEEDLE JET	1	-0146326	598 0330 8
5-022	598-21011-210	NEEDLE JET	1	0146327-	598 0331 7

# FIG.6 ACCESSORIES



REFERENCE NUMBER	PRODUCTION PART NUMBER	PART NAME	QUANTITY	SERIAL NUMBER	SPARE PART NUMBER
<b>FIG.6 ACCESSORIES</b>					
6-001	101-31305-210	FLEXIBLE PIPE	1		101 0021 1
6-002	102-31305-200	SWIVEL PIPE	1		102 0040 3
6-003	103-31307-200	STRAIGHT PIPE L	1		103 0070 1
6-004	103-31305-200	STRAIGHT PIPE S.	1		103 0010 9
6-005	104-31305-200	BENT PIPE	1		104 0010 6
6-006	273-31307-200	FAN HEAD	1		273 0090 7
6-007	110-31305-200	WIRE CLAMP 85	1		110 0090 7
6-008	111-31305-200	WIRE CLAMP 78	1		111 0010 8
6-009	870-31305-200	FUEL MIXING BOTTLE	1		870 0340 6
6-010	827-20000-200	COMBI. BOX SPANNER 14X21	1		827 0080 9
6-011	860-31305-200	SCREW DRIVER	1		860 0010 3
6-012	801-20000-200	SPANNER 8X10	1		801 0060 7
6-013	950-20000-200	HANDLE 6X100	1		950 0010 1
6-014	940-31305-200	TOOL BAG	1		940 0090 4