

# **Tanaka** Illustrated Parts Manual

Model Number:

**TBL-4600**

**BACKPACK BLOWER**

P/N 00039

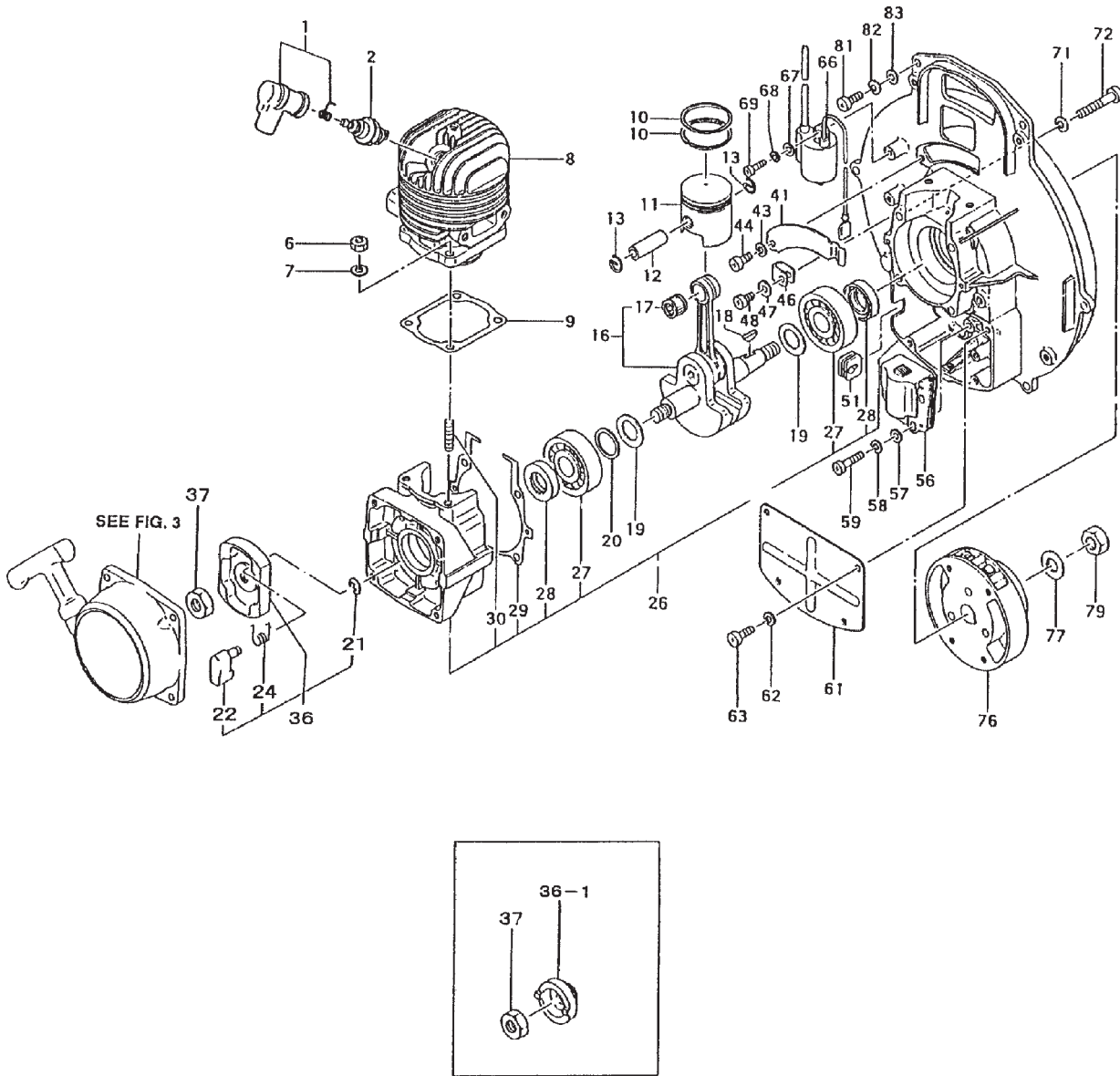
Rev 001

Date 8-21-07



Nikko Tanaka Engineering U.S.A.,Ltd. • 1028 4<sup>th</sup> Street SW, Bldg B • Auburn, WA 98001 • Phone: (253) 333-1200 • Fax: (253) 333-1212

### ENGINE / CYLINDER, PISTON, CRANKSHAFT • FIGURE 1

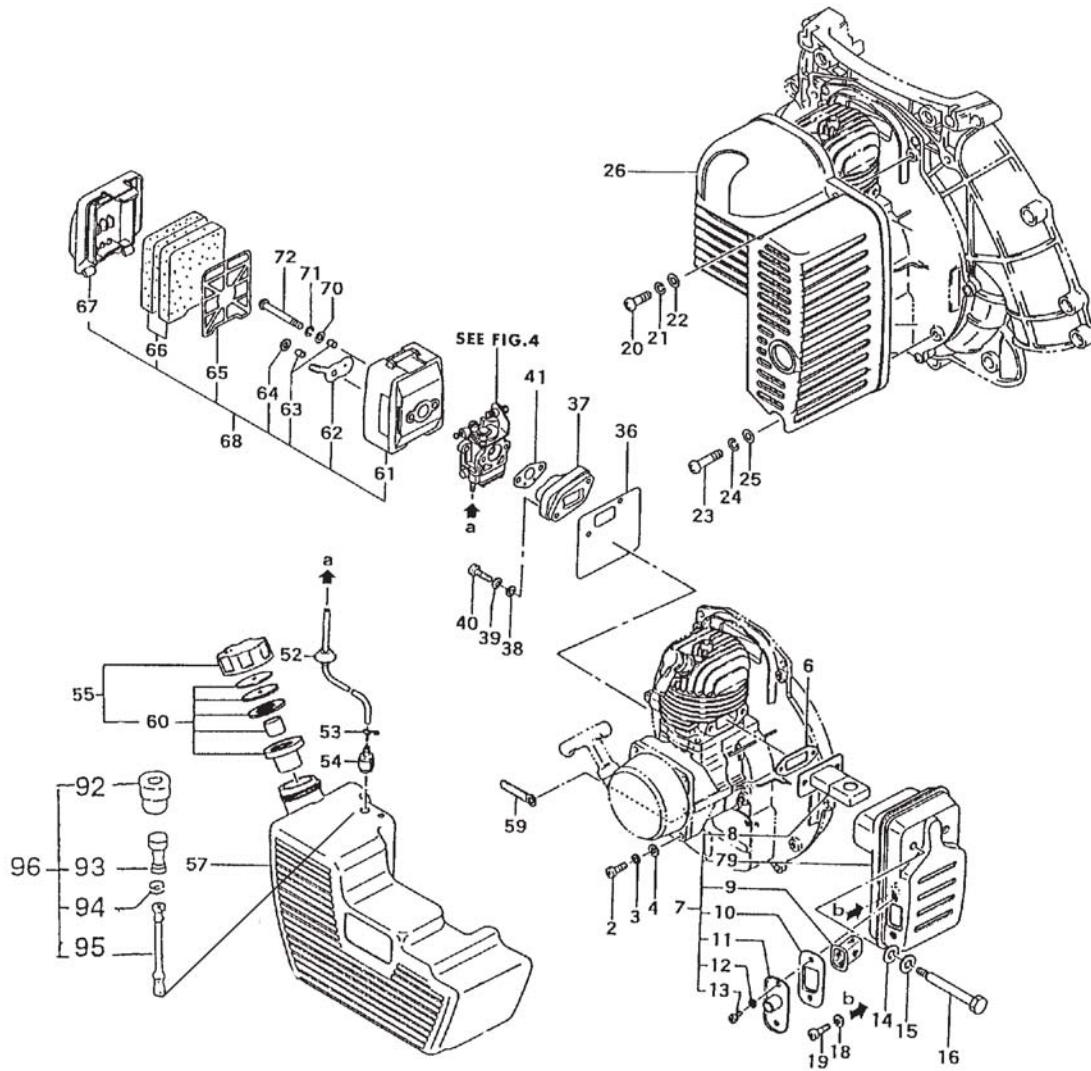


ITEM	PART NUMBER	DESCRIPTION	QTY	COMMENTS
01	157-01570-900	CAP, SPARK PLUG, ASS'Y	1	
02	018-02233-200	PLUG, SPARK	1	
06	991-01060-011	NUT, 6	4	
07	992-10060-012	WASHER, S, 6	4	
08	002-05024-21	CYLINDER	1	
09	017-02100-202	GASKET, CYLINDER	1	
10	041-05000-200	RING, PISTON	2	
11	031-05004-810	PISTON	1	
12	037-01000-20	PIN, PISTON	1	
13	039-05004-200	CIRCLIP, PISTON PIN	2	
16	046-05004-831	CRANKSHAFT	1	
17	999-62101-004	BEARING, NEEDLE, F1010B	1	

### ENGINE / CYLINDER, PISTON, CRANKSHAFT • FIGURE 1

ITEM	PART NUMBER	DESCRIPTION	QTY	COMMENTS
18	068-02000-200	KEY,WOODRUFF,3X13X5	1	
19	070-10700-200	WASHER,CRANKSHAFT	2	
20	071-11109-200	SHIM,17.7X23X.05	V	*Shims are "as needed" to obtain correct side clearance
20	071-11109-210	SHIM,17.7X23X.10	V	
20	071-11109-220	SHIM,17.7X23X.15	V	
20	071-11109-230	SHIM,17.7X23X.20	V	
20	071-11109-240	SHIM,17.7X23X.30	V	
21	993-55050-000	RING,STOP,5	1	
22	788-0162V-20	PAWL,STARTER	1	
24	790-0162V-200	SPRING,PAWL,STARTER	1	
26	072-05031-90	CRANKCASE,ASS'Y	1	*Crankcase assy includes, bearings, seals and gaskets
27	999-61630-301	BEARING,BALL,#6303	2	
28	999-66173-000	SEAL,OIL,#17307	2	
29	090-05004-211	GASKET,CRANKCASE	1	
30	100-02000-200	BOLT,STUD 6X24	4	
36	798-04220-90	PAWL,STARTER ASS'Y	1	
36-1	798-05015-200	PULLEY,STARTER	1	
37	991-11100-013	NUT,10	1	
41	665-05004-201	PLATE,CASE	1	
43	992-10050-012	WASHER,S,5	1	
44	990-11050-101	SCREW,5X10	1	
46	198-00701-201	CLAMP,CORD	1	
47	992-01050-011	WASHER,5	1	
48	990-11050-101	SCREW,5X10	1	
51	203-0604A-202	GROMMET	1	
56	162-21519-80	EXCITER	1	
57	992-00050-011	WASHER,SMALL,5	2	
58	992-10050-012	WASHER,S,5	2	
59	990-11050-221	SCREW,5X22	2	
61	195-05015-201	COVER,COIL	1	
62	992-10050-012	WASHER,S,5	4	
63	990-11050-101	SCREW,5X10	4	
66	167-21519-802	COIL,IGNITION	1	
67	992-01040-011	WASHER,4	2	
68	992-10040-012	WASHER,S,4	2	
69	990-11040-151	SCREW,4X15	2	
71	992-10060-012	WASHER,S,6	4	
72	990-11060-351	SCREW,6X35	4	
76	155-21526-80	ROTOR,MAGNETO	1	
77	992-00100-011	WASHER,10	1	
79	991-11100-011	NUT,10	1	
81	990-11050-151	SCREW,5X15	6	
82	992-10040-012	WASHER,S,4	6	
83	992-01050-011	WASHER,5	6	
84	SB-460	SHORT BLOCK,TBL-4600	1	

**SB-460 Includes the following parts: 6,7,8,9,10,11,12,13,14,16,17,18,19,20,26,27,28,29 and 30**

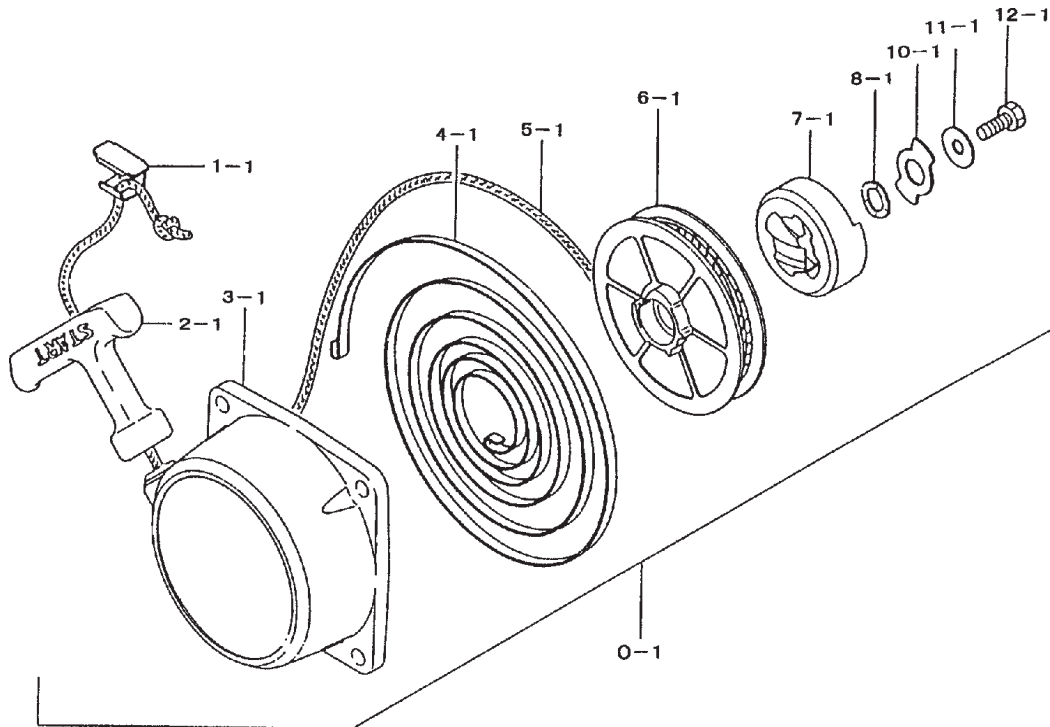


ITEM	PART NUMBER	DESCRIPTION	QTY	COMMENTS
02	990-11050-161	SCREW, 5X16	4	
03	992-10050-012	WASHER, S,5	4	
04	992-01050-011	WASHER, 5	4	
06	737-05004-20	GASKET, MUFFLER	1	
07	705-05008-900	MUFFLER, ASS'Y	1	
08	719-05008-800	PIPE, MUFFLER	1	
09	732-05008-200	ARRESTER, SPARK	1	
10	751-05008-20	GASKET, TAIL PIPE	1	
11	721-05008-801	PIPE, TAIL	1	
12	992-10040-012	WASHER, S,4	2	
13	990-11040-101	SCREW, 4X10	2	
14	751-05004-212	GASKET, MUFFLER	2	

### ENGINE, MUFFLER, AIR CLEANER, FUEL SYSTEM • FIGURE 2

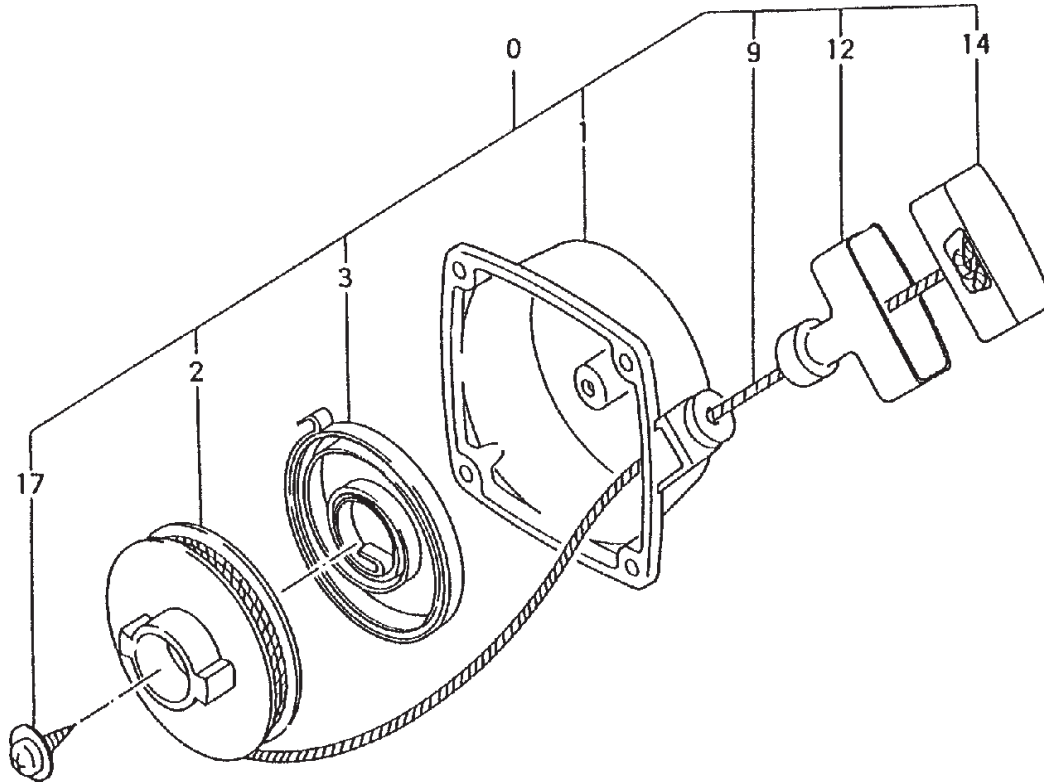
ITEM	PART NUMBER	DESCRIPTION	QTY	COMMENTS
15	992-01080-011	WASHER,8	2	
16	750-05004-201	BOLT,SPECIAL	2	
18	992-10050-012	WASHER,S,5	2	
19	990-11040-101	SCREW,4X10	2	
20	990-11050-181	SCREW,5X18	2	
21	992-10050-012	WASHER,S,5	2	
22	992-01050-011	WASHER,5	2	
23	990-11060-201	SCREW,6X20	1	
24	992-10060-012	WASHER,S,6	1	
25	992-00060-011	WASHER,SMALL,6	1	
26	738-05024-20	PROTECTOR,MUFFLER	1	
36	403-05024-20	GASKET,INTAKE	1	
37	404-05024-80	INSULATOR,CARB. (CA)	1	
38	992-00050-011	WASHER,SMALL,5	2	
39	992-10050-012	WASHER,S,5	2	
40	990-11050-251	SCREW,5X25	2	
41	402-0602K-21	GASKET,CARBURETOR	1	
52	223-05015-900	PIPE,FUEL,3X5X280	1	
53	680-04001-200	CLIP,5.2	1	
54	675-01630-900	FILTER,FUEL	1	
55	595-05024-90	CAP, FUEL TANK, ORANGE	1	Before S/N T236711
55	595-01308-90	CAP, FUEL TANK, BLACK	1	S/N T236711 and after
57	591-05024-00	TANK,SET TBL-4600	1	Before S/N T236711
57	591-05033-82	TANK,FUEL	1	S/N T236711 and after
59	198-05015-800	CLAMP,CORD	1	
60	629-00803-90	INNER,TANK CAP	1	
61	423-04250-200	BODY,AIR CLEANER	1	
62	528-0072Z-20	PLATE,CHOKE	1	
63	470-0602K-200	COLLAR	2	
64	453-0602K-200	COLLAR	1	
65	476-0634C-200	BOARD,BLOW OVER CHECK	1	
66	446-0634C-200	ELEMENT,CLEANER	2	
67	424-0634C-200	CAP,CLEANER	1	
68	410-04250-90	CLEANER,AIR ASSY	1	
70	992-00050-011	WASHER,SMALL,5	2	
71	992-10050-012	WASHER,S,5	2	
72	990-11050-571	SCREW,5X57	2	
79	706-05008-801	MUFFLER	1	
92	561-00070-20	COVER,AIR VENT	1	
93	646-3252L-90	*AIR VENT VALVE ASSY	1	*After S/N T236711 this unit is equipped with a vented tank
94	680-00206-200	*CLIP,5.5	1	
95	565-05032-20	*PIPE,AIR VENT	1	
96	564-05032-90	*VENT,AIR ASSY	1	

### UNITS PRIOR TO S/N Q234210

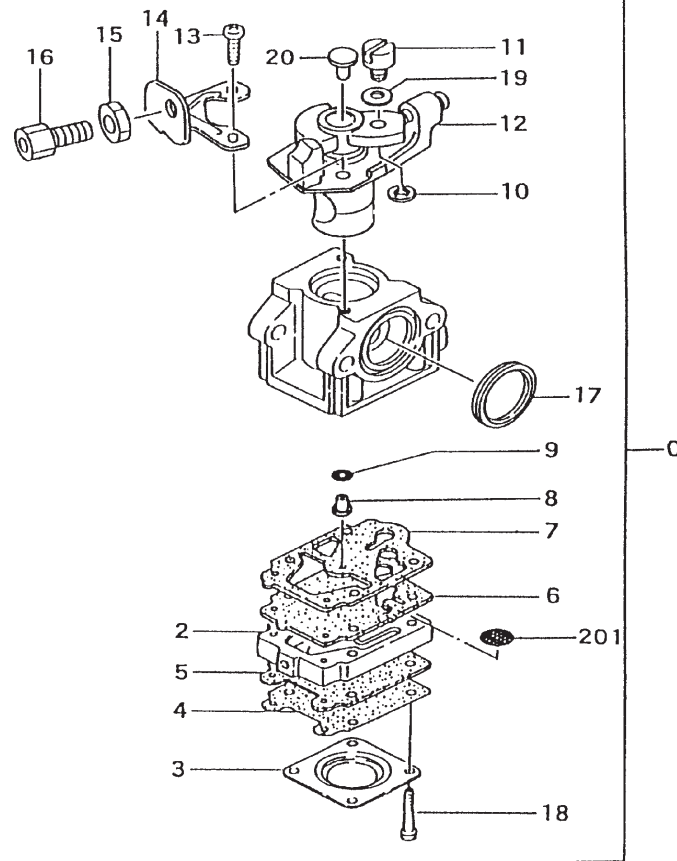


ITEM	PART NUMBER	DESCRIPTION	QTY	COMMENTS
0-1	762-05015-91	STARTER, RECOIL ASSY	1	
1-1	815-06000-200	METAL, STARTER HANDLE	1	
2-1	785-04220-20	HANDLE, STARTER	1	
3-1	772-05015-800	BODY, RECOIL STARTER	1	
4-1	779-06000-200	SPRING, RECOIL	1	
5-4	783-05004-200	ROPE, STARTER, 3.8X1070	1	
6-1	769-05015-200	REEL, STARTER ROPE	1	
7-1	788-05015-21	PAWL, STARTER	1	
8-1	801-05015-200	WASHER, STARTER PULLEY	1	
10-1	837-05015-21	PLATE, FRICTION	1	
11-1	822-05015-200	SHIM, STARTER PULLEY	1	
12-1	839-05015-20	BOLT, SET	1	

### UNITS S/N Q234211 AND AFTER

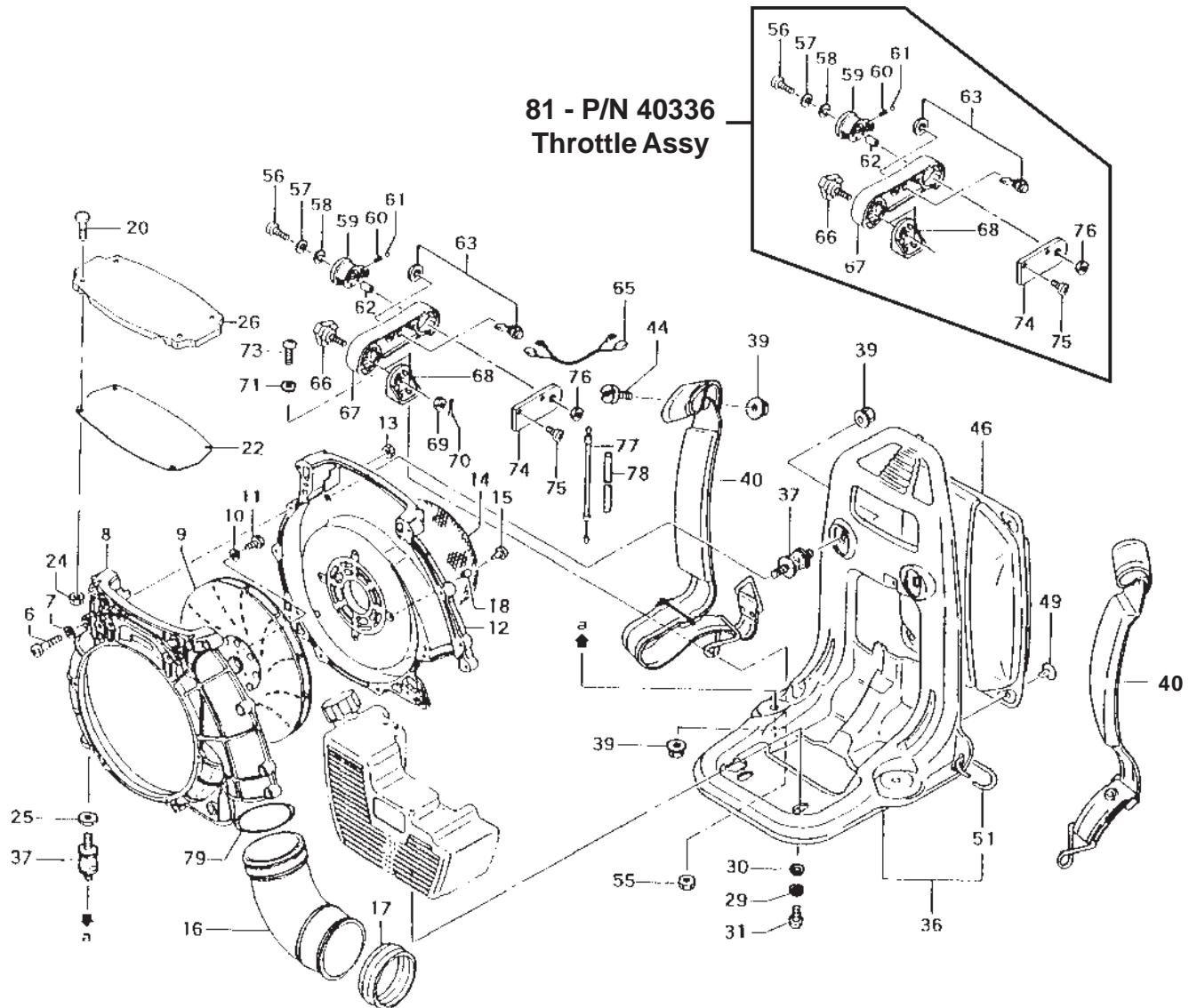


ITEM	PART NUMBER	DESCRIPTION	QTY	COMMENTS
0	762-04220-90	STARTER,RECOIL ASSY	1	S/N Q234211 and after
1	772-04220-80	BODY,RECOIL STARTER	1	
2	769-04220-20	REEL,STARTER ROPE	1	
3	779-04220-20	SPRING,RECOIL	1	
9	783-04220-20	ROPE,STARTER	1	
12	785-04220-20	HANDLE,STARTER	1	
14	835-04220-20	CAP,HANDLE	1	
17	839-04220-20	SCREW,SET	1	



ITEM	PART NUMBER	DESCRIPTION	QTY	COMMENTS
0	455-25167-90	CARBURETOR,ASS'Y	1	Before S/N R154730
0	455-25180-90	CARBURETOR,ASS'Y	1	S/N R154731 and after
02	575-25152-80	BODY,PUMP	1	
03	476-25004-200	COVER,DIAPHRAGM	1	*Contained in Carb Repair Kit
04	~	*DIAPHRAGM,METERING	1	P/N 650-25124-900
05	~	*GASKET, DIAPHRAGM	1	(not available individually)
06	~	*DIAPHRAGM,PUMP	1	
07	~	*GASKET,PUMP	1	
08-1	599-2000W-58	JET,MAIN,#58	1	Before S/N R154730
08	599-2000W-480	JET,MAIN,#48	1	S/N R154731 and after
09	550-25100-200	O-RING	1	
10	489-25100-200	RING,STOP	1	
11	539-25120-200	SWIVEL	1	
12	488-25167-80	VALVE,THROTTLE	1	
13	514-25100-200	SCREW,THROTTLE SET	1	
14	544-25164-200	STAY,ADJUST,CABLE	2	
15	991-01060-013	NUT,6	1	
16	614-25137-200	ADJUSTER,CABLE	1	
17	431-0634C-200	GASKET,CLEANER	1	
18	548-25101-200	SCREW,SET	1	
19	549-25165-20	WASHER,THRUST	4	
20	537-25120-200	PLUG	1	
201	~	*SCREEN,INLET	1	

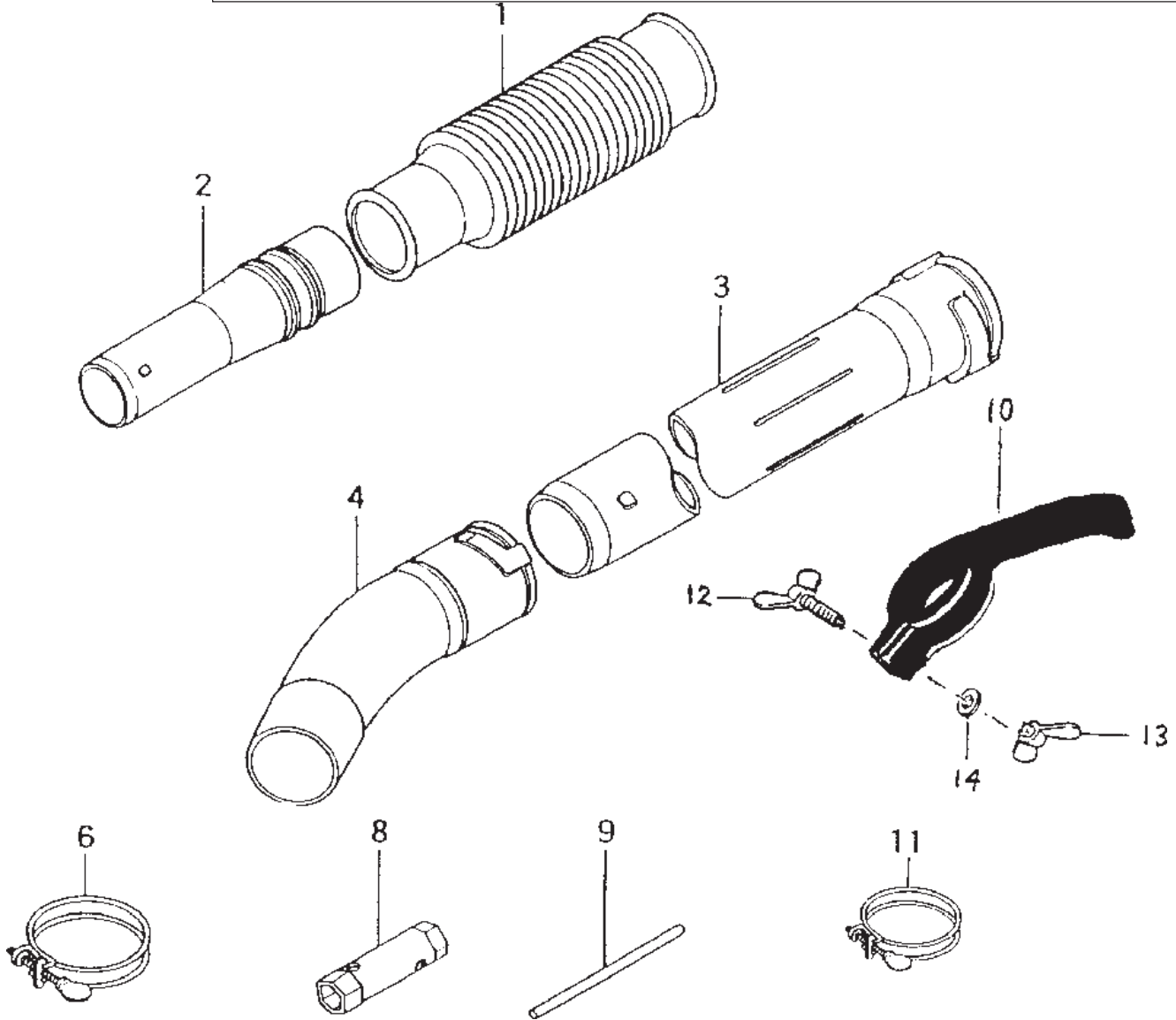




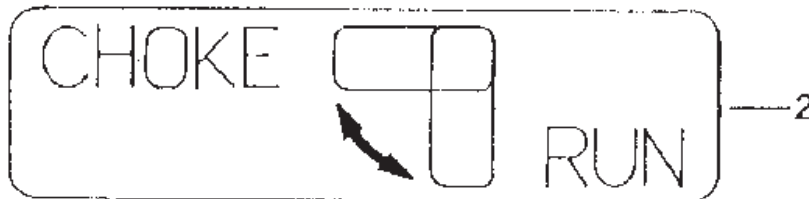
ITEM	PART NUMBER	DESCRIPTION	QTY	COMMENTS
06	990-11050-351	SCREW,5X35	13	
07	992-00050-011	WASHER,SMALL,5	13	
08	010-31316-80	CASE,FAN E	1	
09	127-05018-20	FAN	1	
10	992-10060-042	WASHER,S,6	3	
11	990-21060-302	BOLT,6X30	3	
12	011-31310-200	CASE,FAN,S	1	
13	991-01050-011	NUT,5	13	
14	050-31307-200	SCREEN	1	
15	993-11050-202	SCREW,TAPPING,5X20	4	
16	270-31310-200	PIPE,BLOW	1	
17	100-31310-200	BAND,PIPE	1	

### MAIN BODY, THROTTLE, HARNESS • FIGURE 6

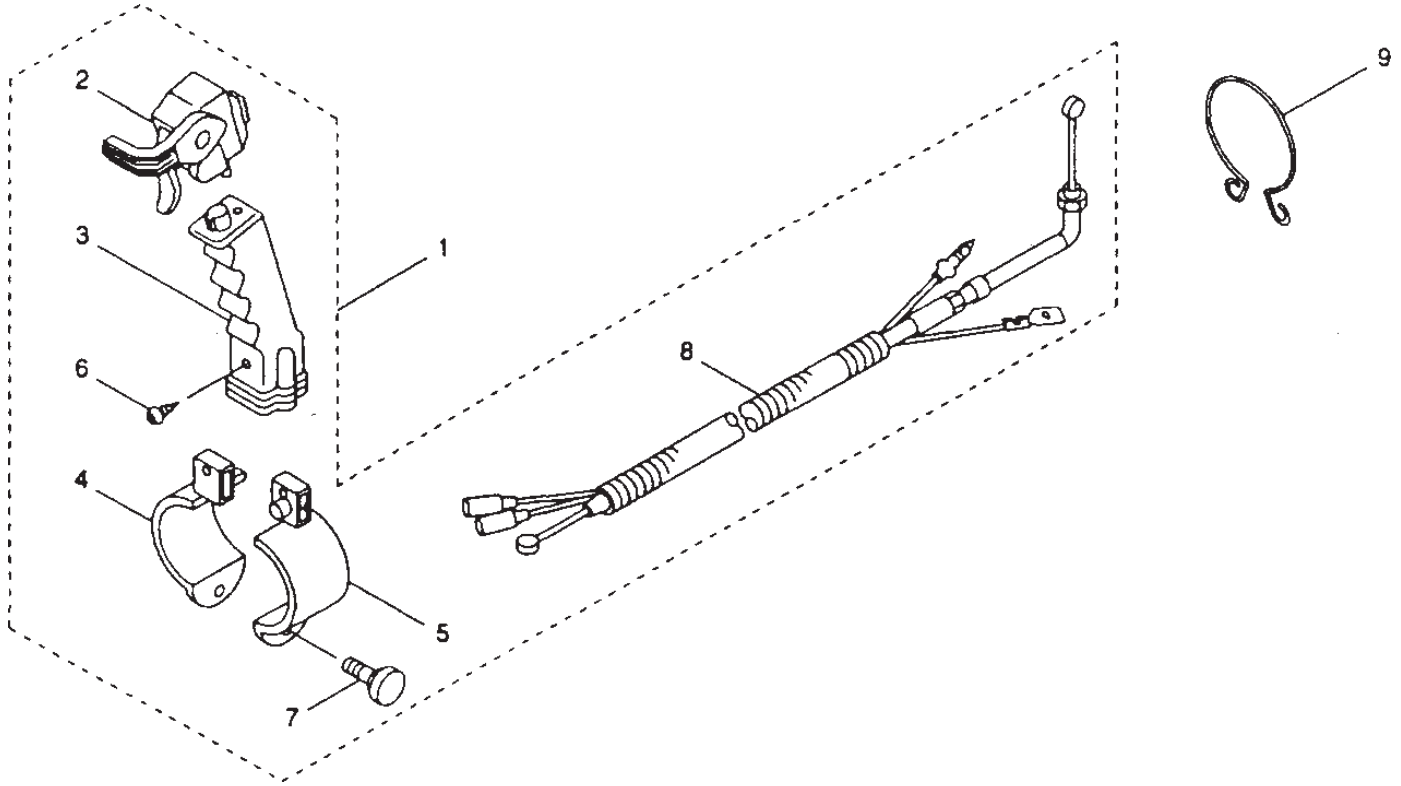
ITEM	PART NUMBER	DESCRIPTION	QTY	COMMENTS
18	060-31310-200	COLLAR	4	
20	990-11060-301	SCREW,6X30	4	
22	593-31316-20	GASKET	1	
24	991-01060-011	NUT,6	4	
25	029-31314-20	NUT,6,SPECIAL	2	
26	052-31316-20	COVER,FAN CASE	1	
29	992-10060-012	WASHER,S,6	2	
30	992-01060-011	WASHER,6	2	
31	990-11060-161	SCREW,6X16	2	
32	027-31313-20	WASHER,3.2X25	1	
36	020-31313-80	FRAME	1	
37	030-31307-200	CUSHION	4	
39	029-31313-20	NUT,SPECIAL	6	
40	019-31319-80	STRAP	2	
44	990-14060-161	SCREW,6X16	2	
46	021-31318-80	CUSHION	1	
49	046-31313-20	FASTENER	4	
51	045-31313-20	RING,HOLDING	2	
55	991-78060-010	NUT,LOCK,6	2	
56	990-11060-251	SCREW,6X25	1	Included in 40336 throttle assy
57	992-10060-012	WASHER,S,6	1	Included in 40336 throttle assy
58	992-01060-011	WASHER,6	1	Included in 40336 throttle assy
59	263-31310-200	LEVER,THROTTLE	1	Included in 40336 throttle assy
60	333-31310-200	SPRING,THROTTLE LEVER	1	Included in 40336 throttle assy
61	334-31310-200	BALL,STEEL 5/32	1	Included in 40336 throttle assy
62	256-31310-200	COLLAR	1	Included in 40336 throttle assy
63	162-01300-900	SWITCH,STOP	1	Included in 40336 throttle assy
65	178-05015-800	CORD,STOP	1	
66	335-31313-80	KNOB	1	Included in 40336 throttle assy
67	250-31310-200	ARM,THROTTLE LEVER	1	Included in 40336 throttle assy
68	040-31313-20	BRACKET,THROTTLE LEVER	1	Included in 40336 throttle assy
69	991-78080-010	NUT,8	1	
70	992-90200-150	PIN,SPLIT	1	
71	992-01060-011	WASHER,6	2	
73	990-11060-201	SCREW,6X20	2	
74	247-31310-200	COVER,THROTTLE LEVER ARM	1	Included in 40336 throttle assy
75	993-11040-102	SCREW,TAPPING,4X10	2	Included in 40336 throttle assy
76	991-01060-011	NUT,6	1	Included in 40336 throttle assy
77	885-05024-80	WIRE,THROTTLE (CA)	1	
78	164-10027-00	TUBE,PROTECTION	1	
79	999-67070-020	TUBE,PROTECTION	1	
80	605-05018-20	TANK PLATE	1	
81	40336	THROTTLE ASSY	1	Fits TBL-4600 and TBL-4610



ITEM	PART NUMBER	DESCRIPTION	QTY	COMMENTS
01	101-31310-200	PIPE, FLEXIBLE	1	
02	102-31310-200	PIPE, SWIVEL	1	
03	103-31310-200	PIPE, STRAIGHT, LONG	1	
04	104-31310-200	PIPE, BENT	1	
06	110-31310-200	CLAMP, WIRE 92	1	
08	826-20000-200	SPANNER, BOX, 17X19	1	
09	951-20000-200	HANDLE, 8X120	1	
10	26724	KIT, TBL HANDLE	1	S/N S278271 and after
11	111-31305-200	CLAMP, WIRE 78	1	
12	990-60060-501	BOLT, WING 6X50	1	S/N S278271 and after
13	991-61060-012	NUT, WING, 6	1	S/N S278271 and after
14	992-01060-011	WASHER, 6	2	S/N S278271 and after



ITEM	PART NUMBER	DESCRIPTION	QTY	COMMENTS
01	950-31310-200	DECAL,PRO-FORCE A	1	
02	920-0650A-200	DECAL,WARNING	1	
03	906-05024-20	DECAL	1	



ITEM	PART NUMBER	DESCRIPTION	QTY	COMMENTS
1	29603	KIT, THROTTLE, TBL	1	
2	29873	LEVER, THROTTLE	1	
3	29878	GRIP	1	
4	29879	BAND, (LEFT)	1	
5	29880	BAND, (RIGHT)	1	
6	29881	SCREW, 5X20	1	
7	29882	BOLT, KNOB	1	
8	29883	WIRE, THROTTLE, ASSY	1	
9	29884	CLAMP	1	