

Table Saw - 3 601 M34 010 - TC 10

www.powertools-aftersaleservice.com



BOSCH

Item	Part Number	Description	Illustration	Price	Quantity	Price Group
1	1 609 B03 196	Motor Housing	1	-,-	1	-
4	1 609 B03 281	Main Switch	1	-,-	1	-
8	1 609 B03 492	Nameplate	1	-,-	1	-
13	1 609 B03 224	Ball Bearing	1	-,-	1	-
14	1 609 B03 223	Ball Bearing	1	-,-	1	-
16	1 609 B03 203	Brush Holder	1	-,-	2	-
20	1 609 B03 486	Label	1	-,-	1	-
24	1 609 B03 153	Shaft Insert	1	-,-	1	-
25	1 609 B03 154	Plunger Bar	1	-,-	1	-
27	1 609 B03 156	Torsion Spring	1	-,-	1	-
28	1 609 B03 157	Block Bushing	1	-,-	2	-
29	1 609 B03 158	Shift Finger	1	-,-	1	-
30	1 609 B03 159	Case Cover	1	-,-	1	-
31	1 609 B03 160	Bearing Cover Plate	1	-,-	1	-
32	1 609 B03 161	Sealing Cover	1	-,-	1	-
33	1 609 B03 162	Shaft	1	-,-	1	-
34	1 609 B03 163	Holding Piece	1	-,-	1	-
35	1 609 B03 164	Locking Pin	1	-,-	1	-
36	1 609 B03 165	Locking Clutch	1	-,-	1	-
37	1 609 B03 166	Shaft Insert	1	-,-	2	-
41	1 609 B03 170	Cord guard	1	-,-	2	-
42	1 609 B03 177	Cable Holder	1	-,-	1	-
43	1 609 B03 178	Cable Holder	1	-,-	1	-
44	1 609 B03 179	Screw	1	-,-	3	10
49	1 609 B03 174	Knob	1	-,-	1	-
50	1 609 B03 275	Knob	1	-,-	1	-
51	1 609 B03 276	Lock Cylinder	1	-,-	1	-
52	1 609 B03 277	Lock bolt	1	-,-	1	-
53	1 609 B03 278	Lock Spring	1	-,-	1	-
54	1 609 B03 279	Washer	1	-,-	1	-
55	1 609 B00 714	O-Ring	1	-,-	1	10
56	1 609 B03 282	Seal	1	-,-	1	-
57	1 609 B03 283	Switch Box	1	-,-	1	-

Item	Part Number	Description	Illustration	Price	Quantity	Price Group
58	1 609 B03 284	Seal	1	-,-	1	-
59	1 609 B03 185	Screw	1	-,-	4	-
60	1 609 B03 186	Cover	1	-,-	1	-
61	1 609 B03 187	Seal	1	-,-	1	-
62	1 609 B03 188	Screw	1	-,-	2	-
63	1 609 B03 189	Sealing Plate	1	-,-	2	-
66	1 609 B03 197	Housing Cover	1	-,-	1	-
67	1 609 B03 198	Dust Protection	1	-,-	1	-
68	1 609 B03 199	Air Guide Plate	1	-,-	1	-
69	1 609 B03 200	Rubber Bushing	1	-,-	1	-
70	1 609 B03 201	Rubber Bushing	1	-,-	1	-
71	1 609 B03 202	Brush-Cover	1	-,-	2	-
76	1 609 B03 212	Seal	1	-,-	1	-
77	1 609 B03 213	Seal	1	-,-	1	-
78	1 609 B00 777	Needle-Roller Bearing	1	-,-	1	17
79	1 609 B00 779	Deep-Groove Ball Bearing	1	-,-	1	20
80	1 609 B03 222	O-Ring	1	-,-	1	-
81	1 609 B03 225	Screw	1	-,-	1	-
82	1 609 B03 226	Screw	1	-,-	1	-
83	1 609 B03 227	Screw	1	-,-	2	-
84	1 609 B03 228	Screw	1	-,-	2	-
85	1 609 B03 230	Screw	1	-,-	2	-
86	1 609 B03 231	Screw	1	-,-	4	-
87	1 609 B03 232	Screw	1	-,-	7	-
88	1 609 B03 233	Screw	1	-,-	2	-
89	1 609 B03 234	Screw	1	-,-	4	-
90	1 609 B03 235	Screw	1	-,-	2	-
92	1 609 B03 483	Screw	1	-,-	4	-
93	1 609 B03 238	Screw	1	-,-	9	-
94	1 609 B03 239	Screw	1	-,-	2	-
95	1 609 B03 240	Screw	1	-,-	1	-
96	1 609 B03 241	Screw	1	-,-	4	-
97	1 609 B00 532	velcro loop	1	-,-	1	11
100	1 609 B03 014	Cable Plug	1	-,-	1	-
104	1 609 B03 363	Screw	1	-,-	5	-
111	1 609 B03 001	Flange	1	-,-	1	-
113	1 609 B03 003	Flange	1	-,-	1	-
114	1 609 B03 004	Hex Nut	1	-,-	1	-
115	1 609 B03 135	Screw	1	-,-	3	-
119	1 609 B03 304	Nozzle	1	-,-	1	-
120	1 609 B03 305	Cable Clip	1	-,-	1	-
121	1 609 B03 306	Splash Guard	1	-,-	1	-
122	1 609 B03 307	Splash Guard	1	-,-	1	-
123	1 609 B03 308	Holding Plate	1	-,-	1	-
124	1 609 B03 309	Washer	1	-,-	1	-
125	1 609 B03 310	Handle	1	-,-	1	-
126	1 609 B03 311	Screw	1	-,-	1	-
127	1 609 B03 312	Screw	1	-,-	6	-
128	1 609 B03 317	Screw	1	-,-	1	-
129	1 609 B03 313	Screw	1	-,-	1	-
130	1 609 B03 338	Adjusting Nut	1	-,-	3	-
131	1 609 B03 315	Washer	1	-,-	2	-
132	1 609 B03 455	End Clip	1	-,-	1	10

Item	Part Number	Description	Illustration	Price	Quantity	Price Group
136	1 609 B03 314	Screw	1	-,-	2	-
137	1 609 B03 113	Tapping Screw	2	-,-	5	-
141	1 609 B03 121	Supporting Arm	1	-,-	1	-
142	1 609 B03 122	Cover	1	-,-	1	-
143	1 609 B03 123	Cover	1	-,-	1	-
144	1 609 B03 124	Cover	1	-,-	1	-
145	1 609 B03 125	Scale Plate	1	-,-	1	-
146	1 609 B03 126	Cable Clip	1	-,-	3	-
147	1 609 B03 127	Cable Clip	1	-,-	1	-
149	1 609 B03 104	Screw	1	-,-	12	-
150	1 609 B03 130	Screw	1	-,-	13	-
151	1 609 B03 131	Screw	1	-,-	1	-
152	1 609 B03 132	Screw	1	-,-	1	-
153	1 609 B03 133	Screw	1	-,-	2	-
154	1 609 B03 134	Screw	1	-,-	2	-
155	1 609 B03 136	Screw	1	-,-	8	-
156	1 609 B03 137	Screw	1	-,-	3	10
158	1 609 B03 005	Axle Bolt	1	-,-	4	-
159	1 609 B03 006	Pulp Board Cover	1	-,-	4	-
160	1 609 B03 019	Wrench Attachment	1	-,-	1	-
161	1 609 B03 020	Assembly Wrench	1	-,-	1	-
171	1 609 B03 061	Base Frame	2	-,-	1	-
173	1 609 B03 062	Supporting foot	2	-,-	2	-
174	1 609 B03 063	Foot Cover	2	-,-	1	-
175	1 609 B03 064	Foot Cover	2	-,-	1	-
176	1 609 B03 065	Foot Cover	2	-,-	1	-
177	1 609 B03 066	Foot Cover	2	-,-	1	-
178	1 609 B03 067	Rail	2	-,-	1	-
179	1 609 B03 068	Rail	2	-,-	1	-
183	1 609 B03 036	Holding Bracket	2	-,-	1	-
184	1 609 B03 037	Holding Bracket	2	-,-	1	-
185	1 609 B03 243	Screw	2	-,-	4	-
186	1 609 B03 039	Locking nut	2	-,-	4	-
187	1 609 B03 038	Screw	2	-,-	6	-
188	1 609 B03 070	Side Cover	2	-,-	2	-
189	1 609 B03 071	Side Cover	2	-,-	2	-
190	1 609 B03 072	Support	2	-,-	1	10
193	1 609 B03 076	Stopping Device	2	-,-	1	-
195	1 609 B03 078	Holding Fixture	2	-,-	1	-
196	1 609 B03 080	Cable Clip	2	-,-	4	-
197	1 609 B03 081	Shaft Support Rail	2	-,-	2	-
198	1 609 B03 082	Holding Bracket	2	-,-	2	-
199	1 609 B03 083	Supporting Block	2	-,-	2	-
200	1 609 B03 098	Tapping Screw	2	-,-	4	-
201	1 609 B03 101	Hex Screw	2	-,-	14	-
202	1 609 B03 106	Screw	2	-,-	1	-
203	1 609 B03 107	Screw	2	-,-	12	-
204	1 609 B03 108	Nut	2	-,-	4	-
205	1 609 B03 109	Screw	2	-,-	4	-
206	1 609 B03 110	Screw	2	-,-	8	-
207	1 609 B03 111	Plain Washer	2	-,-	8	-
208	1 609 B03 112	Spring Washer	2	-,-	8	-
209	1 609 B03 023	Water Container	2	-,-	1	-

Item	Part Number	Description	Illustration	Price	Quantity	Price Group
211	1 609 B03 025	Water Container	2	-,-	1	-
212	1 609 B03 026	Rubber Plate	2	-,-	1	-
213	1 609 B03 027	Tapping Screw	2	-,-	2	-
214	1 609 B03 010	Pump	2	-,-	1	-
216	1 609 B03 092	Chain	2	-,-	2	-
217	1 609 B03 093	Chain Link	2	-,-	2	-
218	1 609 B03 094	Plug	2	-,-	1	-
221	1 609 B03 370	Saw Table	3	-,-	1	-
222	1 609 B03 322	Runner Block	3	-,-	1	-
230	1 609 B03 330	Adjusting Plate	3	-,-	2	-
231	1 609 B03 331	Adjusting bolt	3	-,-	2	-
232	1 609 B03 332	Knob	3	-,-	1	-
233	1 609 B03 333	Locking Plate	3	-,-	1	-
234	1 609 B03 334	Locking Bar	3	-,-	1	-
235	1 609 B03 335	Slider Bushing	3	-,-	2	-
236	1 609 B03 336	Lock Spring	3	-,-	1	-
237	1 609 B03 337	Lock Bolt	3	-,-	3	-
238	1 609 B03 356	Locking Slide	3	-,-	1	-
240	1 609 B03 339	End Stop	3	-,-	1	-
241	1 609 B03 340	End Stop	3	-,-	1	-
246	1 609 B03 364	Screw	3	-,-	2	-
247	1 609 B03 365	Pin	3	-,-	1	-
248	1 609 B02 183	Screw	3	-,-	2	10
250	1 609 B03 382	Screw	3	-,-	2	-
252	1 609 B03 392	Shaft	3	-,-	1	-
253	1 609 B03 393	Clip	3	-,-	2	-
257	1 609 B03 395	Screw	3	-,-	3	-
258	1 609 B03 396	Screw	3	-,-	2	-
263	1 609 B03 403	Shaft	3	-,-	1	-
264	1 609 B03 404	Leaf Spring	3	-,-	1	-
265	1 609 B03 405	Holding Spring	3	-,-	1	-
266	1 609 B03 406	Clamp Handle	3	-,-	1	-
267	1 609 B03 407	Lock Bolt	3	-,-	1	-
268	1 609 B03 408	Knob	3	-,-	1	-
269	1 609 B03 409	Screw	3	-,-	1	-
272	1 609 B03 412	Nut	3	-,-	1	-
273	1 609 BP7 027	Ball	3	-,-	1	-
300	1 609 B03 069	Cover	2	-,-	2	-
301	1 609 B03 032	Holding Piece	2	-,-	2	-
302	1 609 B03 035	Sealing Cover	2	-,-	2	-
310	1 609 B03 485	Label	1	-,-	1	-
311	1 609 B03 487	Label	1	-,-	1	-
312	1 609 B03 488	Label	1	-,-	1	-
313	1 609 B03 489	Label	1	-,-	1	-
314	1 609 B03 490	Label	1	-,-	1	-
315	1 609 B03 491	Label	3	-,-	1	-
320	1 609 B03 497	Label	2	-,-	1	-
802	1 609 B03 438	Field 115V	1	-,-	1	-
803	1 609 B03 214	Armature 115V	1	-,-	1	-
805	1 609 B03 008	Power supply cord	1	-,-	1	-
810	1 609 B03 211	Carbon-Brush Set	1	-,-	1	-
823	1 609 B03 017	Cord	1	-,-	1	-
824	1 609 B03 171	Handle	1	-,-	1	-

Item	Part Number	Description	Illustration	Price	Quantity	Price Group
825	1 609 B03 180	Rotary Knob	1	-,-	1	-
826	1 609 B03 181	Capstan Shaft	1	-,-	1	-
827	1 609 B03 182	Gear Box	1	-,-	1	-
828	1 609 B03 183	Joint	1	-,-	1	-
829	1 609 B03 420	Knob	1	-,-	1	-
830	1 609 B03 300	Pivoting Blade Guard	1	-,-	1	-
831	1 609 B03 073	Stopping Device	2	-,-	1	-
832	1 609 B03 028	Water Container	2	-,-	1	-
832	1 609 B03 028	Water Container	2	-,-	1	-
833	1 609 B03 090	Water Container	2	-,-	1	-
834	1 609 B03 029	Plastic Hose	2	-,-	1	-
836	1 609 B03 400	Mitre Fence	3	-,-	1	-
837	1 609 B03 390	Separating Table	3	-,-	1	-
838	1 609 B03 321	Wheel	3	-,-	2	-
839	1 609 B03 341	Wheel	3	-,-	2	-

Product information Table Saw - 3 601 M34 010 - TC 10

Product No	3 601 M34 010
Description	269.883; Table Saw
DIN-Text	
ID_Text_Ext	0
Trading_Description	TC 10
Voltage_1	115 V
ID_Country_Product	USA

Illustration - Type E

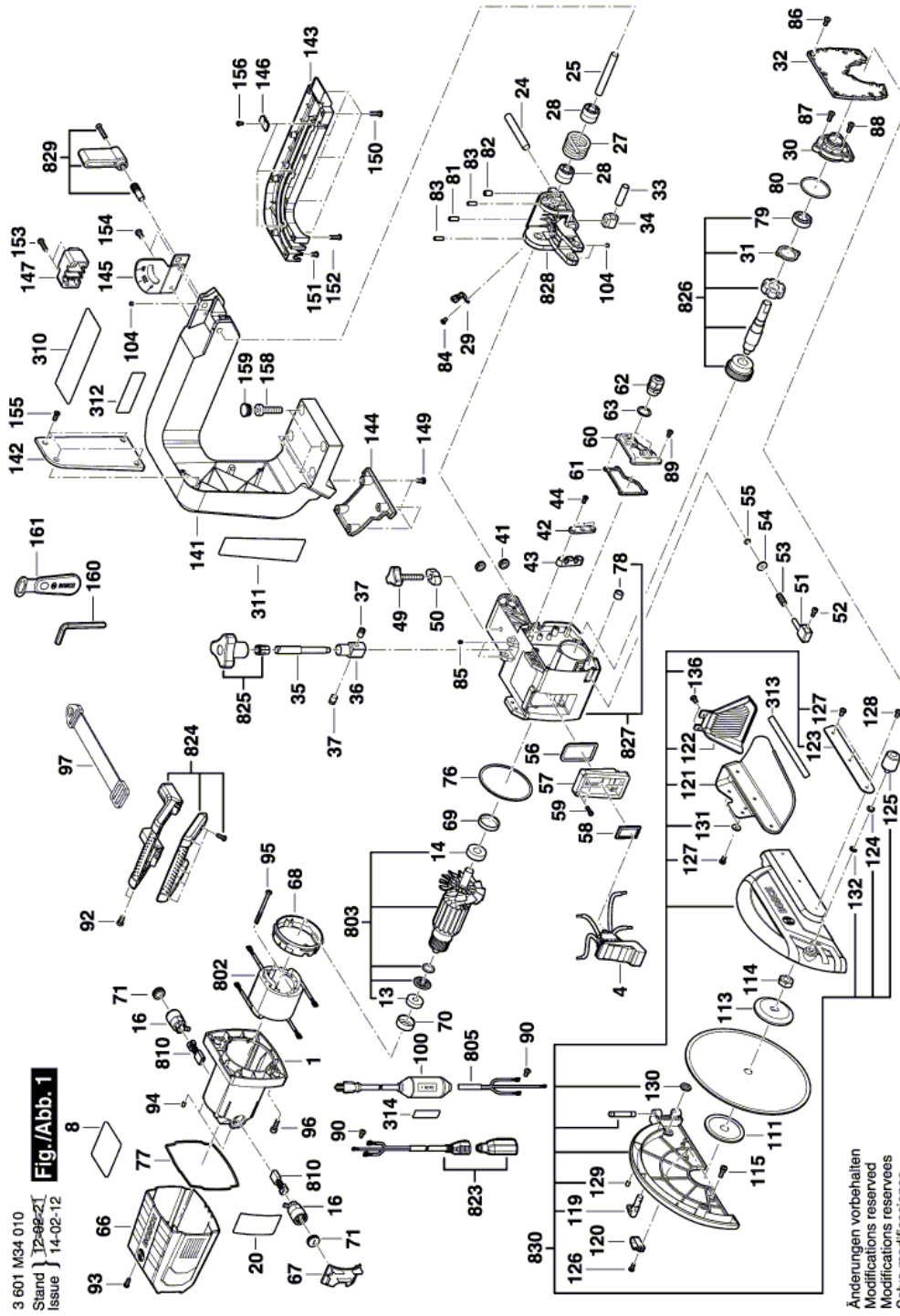


Illustration - Type E

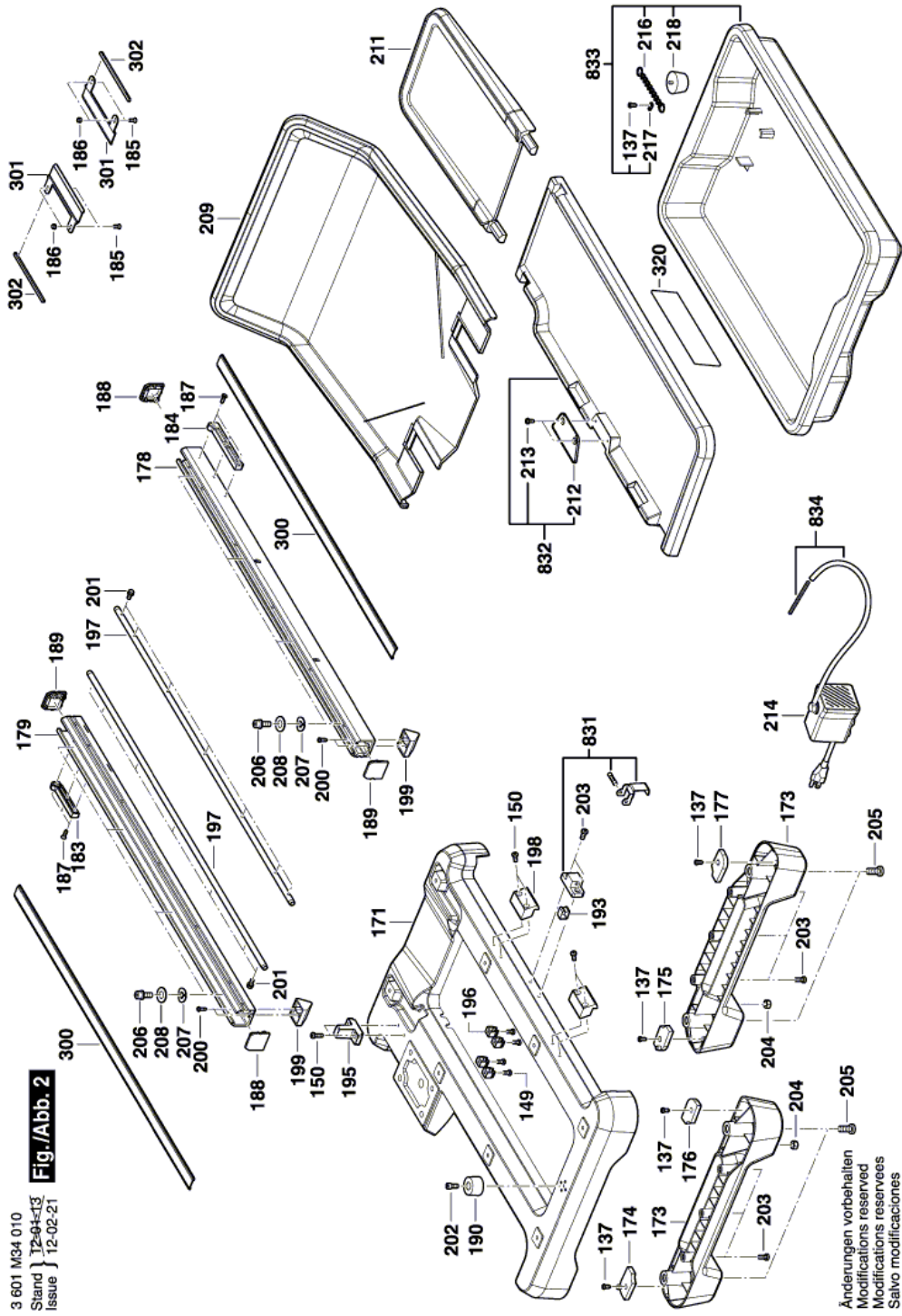
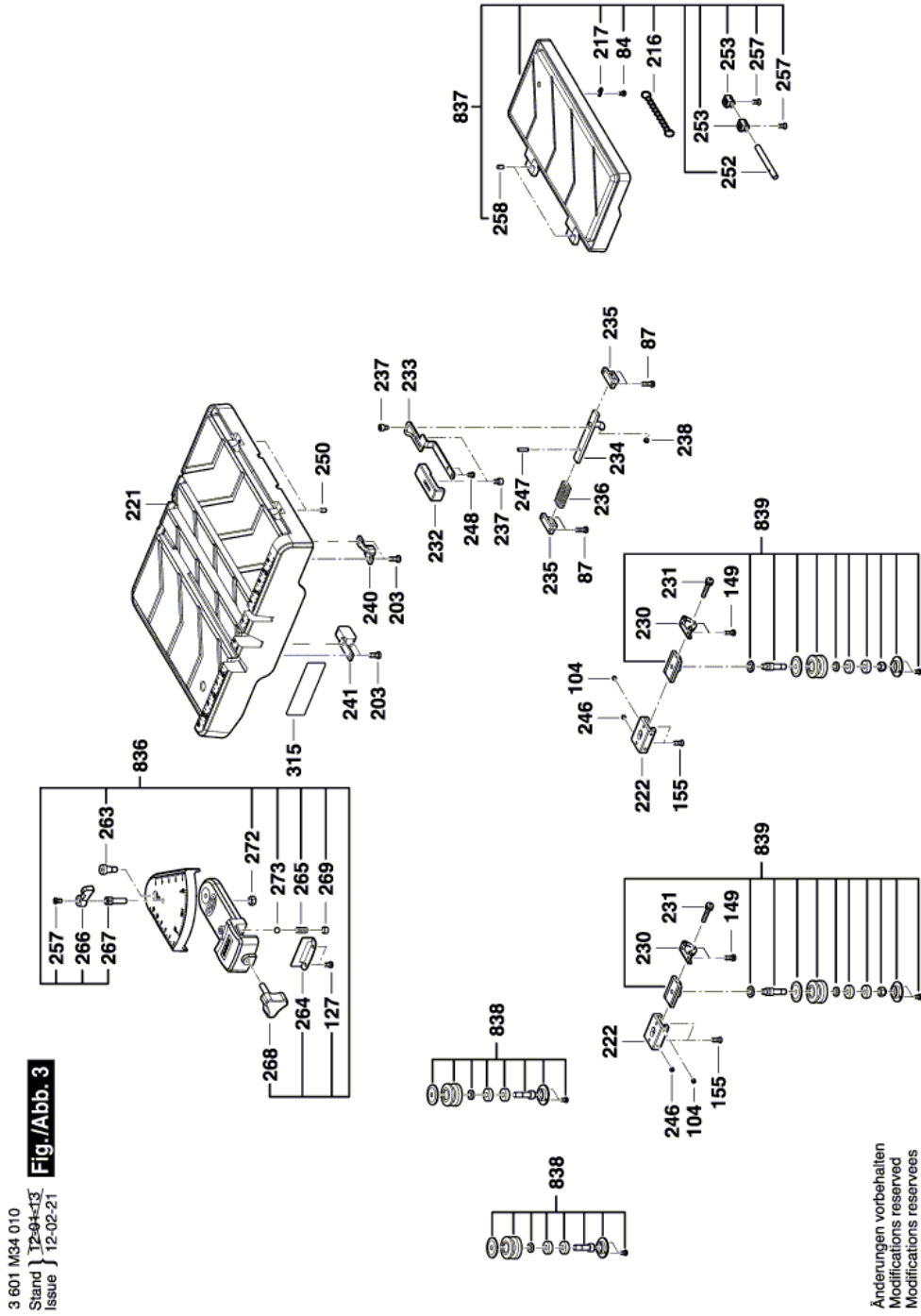


Illustration - Type E



Information subject to change without further notice.