

Tanaka

Parts Catalog

Centrifugal Pump

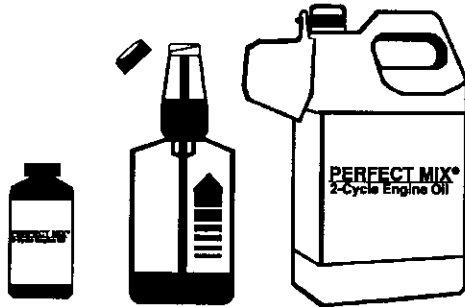
Model: TCP-381

Part # 11392 06-25-96

TCP-381

OPTIONS AND ACCESSORIES

PERFECT MIX® 2-Cycle Engine Oil



- 700109 2.8 oz. Bottle, 1 Gallon Size (24*)
700108 16 oz. Self-measuring Bottle (24*)
700110 1 Gallon Jug Commercial Size (6*)
* Case Quantity

MANUALS / CATALOGS

045502	Owner's Manual
11392	Parts Catalog

SPECIAL TOOLS

006-29326-000	Flywheel Remover	020-29355-000	Coil Gap Guage
009-29326-000	Piston Pin Remover	001-29000-000	Tachometer
026-29317-020	Mech. Seal Puller	070-2000W-500	Pressure Tester
027-29317-020	Mech. Seal Inserter		

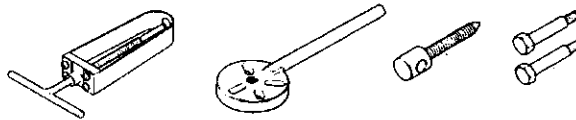


FIG. 1 ENGINE

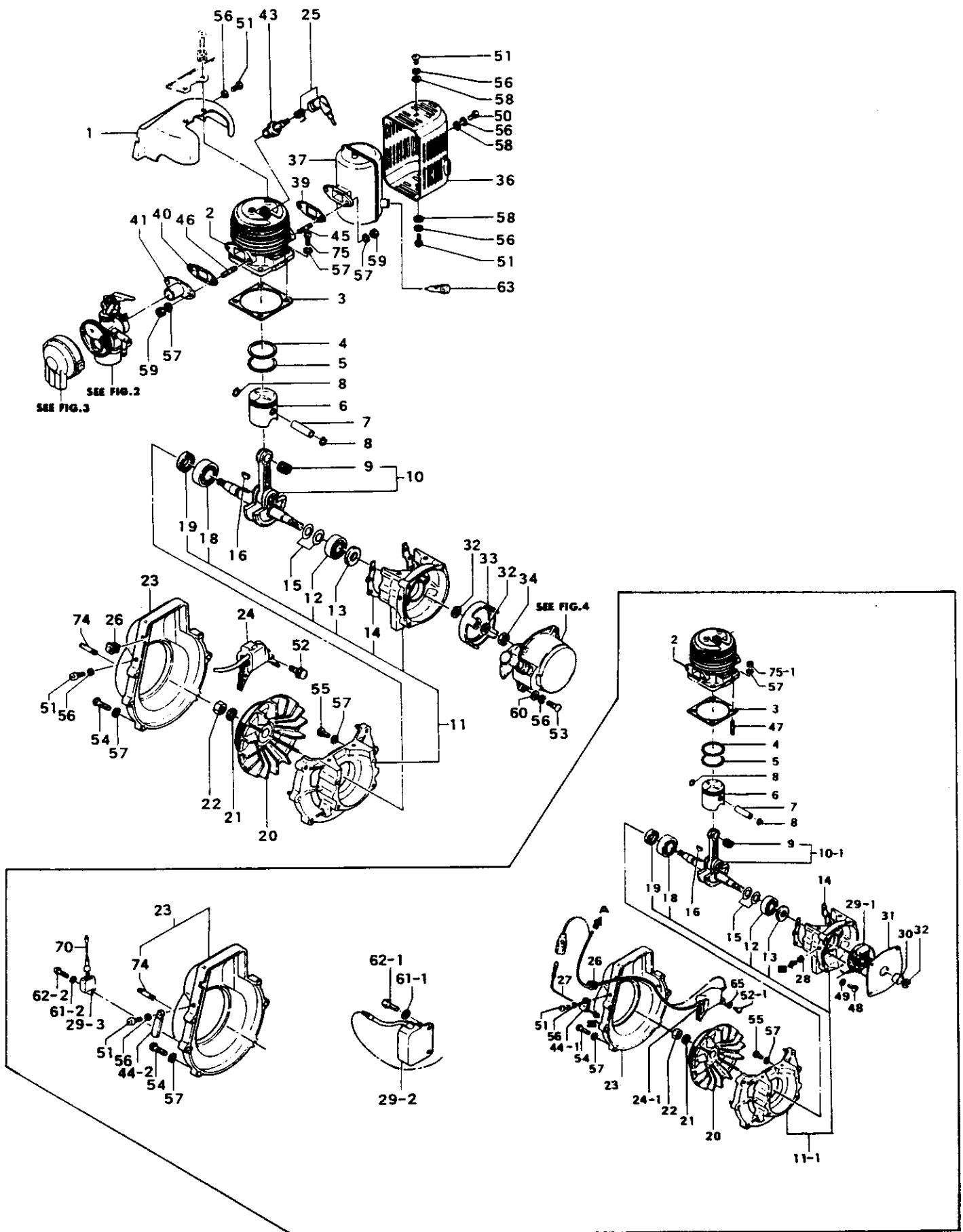


FIGURE 1

TCP-381 PARTS LISTING

REF.	PART NO.	PART DESCRIPTION	Q	C	S	SERIAL NO.	REMARKS
1	016-10205-210	COVER,CYLINDER	1		D		
2	002-10200-81	CYLINDER	1		D		
3	017-10200-21	GASKET,CYLINDER	1		A		
4	040-10100-200	RING,PISTON, TOP	1		A		
5	041-10100-201	RING,PISTON	1		A		
6	031-10100-210	PISTON	1		A		
7	037-10100-200	PIN,PISTON,10X35	1		B		
8	039-02000-201	CIRCLIP,PISTON PIN	2		A		
9	999-62101-004	BEARING,NEEDLE,F1010B	1		B		
10-1	046-10230-802	CRANKSHAFT	1		D	-G055340	
10	046-10230-810	CRANKSHAFT	1		D	G055341~	
11-1	072-10205-900	CRANKCASE,ASSY	1		D	-D029370	Used on points type units
11	072-10230-910	CRANKCASE,ASSY	1		D	D029371~	Includes bearings, seals & gasket
11	072-10230-91	CRANKCASE,ASSY	1		D	N155101~	Includes bearings, seals & gasket
12	999-61620-200	BEARING,BALL,#6202	1		B		
13	999-66153-000	SEAL,OIL,#15307	1		B		
14	090-10200-203	GASKET,CRANKCASE	1		B	-N155100	
14	090-10200-21	GASKET,CRANKCASE	1		C	N155101~	
15	071-02007-210	SHIM,15.2X20X.10	1		D		
15	071-02007-220	SHIM,15.2X20X.15	1		D		
15	071-11600-230	SHIM,16X21X.20	1		D		
15	071-11600-240	SHIM,16X21X.30	1		D		
16	068-02000-200	KEY,WOODRUFF,3X13X5	1		D		
18	999-61620-300	BEARING,BALL,#6203	1		C		
19	999-66173-000	SEAL,OIL,#17307	1		A		
20	155-21714-801	ROTOR,MAGNETO	1		C	-C223695	
20	155-21715-801	ROTOR,MAGNETO	1		D	C223696~	
21	992-01100-011	WASHER,10	1		B		
21	992-00100-011	WASHER,10	1		D		
22	991-15100-001	NUT,LH,10	1		C		
23	112-10231-800	CASE,FAN	1		D		
24-1	167-20751-801	COIL,IGNITION	1		C	-H124860	
24	167-21954-800	COIL,IGNITION	1		B	H124861~	
25	157-01570-900	CAP,SPARK PLUG,ASS'Y	1		C		
26	202-10200-201	GROMMET,SECONDARY CORD	1		D		
27	178-10100-800	CORD,STOP	1		D		
28	203-10302-201	GROMMET,PRIMARY CORD	1		D		
29-1	159-20201-901	BREAKER,CONTACT ASS'Y	1		C	-D029370	
29-2	159-21401-870	IGNITOR,TTI-ID	1		B	-E110091	

* Indicates the part is included in a kit or assembly and is not available individually. Q=Quan. used C=Interchangeability S=Stocking code: A=Fast moving B=Med. fast C=Med. move D=Slow move E=N.L.A. F=Superseded or replaced by a new part

FIGURE 1 cont.

TCP-381 PARTS LISTING

REF.	PART NO.	PART DESCRIPTION	Q	C	S	SERIAL NO.	REMARKS
29-3	159-21401-872	IGNITOR,TTI-1F	1		A	-H124860	
30	246-20701-201	CAM,MAGNETO	1		D	-D029370	
31	810-10200-200	GASKET,RECOIL STARTER	1		D		
32	801-10205-202	WASHER,PULLEY	2		C		
33	798-10205-200	PULLEY,STARTER	1		D		
34	991-11100-013	NUT,10	1		C		
36	738-03120-201	PROTECTOR,MUFFLER	1		B		
37	706-10225-800	MUFFLER	1		D		
39	737-10100-200	GASKET,MUFFLER	1		A		
40	403-02000-201	GASKET,INLET MANIFOLD	1		B		
41	393-02500-201	MANIFOLD,INLET	1		D		
43	018-11107-200	PLUG,SPARK	1		D		
44-1	198-01201-201	CLAMP,CORD	1		D	-E110091	
44-2	198-05015-800	CLAMP,CORD	1		E	E110092~	
45	100-02100-200	BOLT,STUD,6X22	2		C		
46	100-02000-200	BOLT,STUD 6X24	2		D		
47	100-12000-200	STUD,6X26	4		D	F145502~	
48	990-11040-081	SCREW,4X8	2		C	D029371~	
49	992-10040-012	WASHER,S,4	2		B	D029371~	
50	990-11050-061	SCREW,5X6	1		D		
51	990-11050-101	SCREW,5X10	4		B		
52-1	990-11040-181	SCREW,4X18	2		D	~G055340	
52	994-16040-226	SCREW,WS,4X22	2		D	G055341~	
53	990-11050-201	SCREW,MX20	4		D	~G055340	
53	990-11050-181	SCREW,5X18	4		B	G055341~	
54	990-11060-251	SCREW,6X25	4		C		
55	990-11060-301	SCREW,6X30	4		D		
56	992-10050-012	WASHER,S,5	9		A		
57	992-10060-012	WASHER,S,6	16		A		
58	992-01050-011	WASHER,5	3		A		
59	991-01060-011	NUT,6	4		A		
60	992-01050-011	WASHER,5	4		A	G055341~	
61-1	992-10040-012	WASHER,S,4	2		B	~E110091	
61-2	992-10040-012	WASHER,S,4	1		B	G055341~	
62-2	990-11040-081	SCREW,4X8	1		C	~G055340	
63	732-04001-800	ARRESTER,SPARK	1		C	C223696~	
65	992-10040-012	WASHER,S,4	2		B	G055341~	
70	173-0075G-800	CORD,PRIMARY	1		D	E110092~	
74	100-12100-200	STUD,6X30	4		D		
75-1	991-01060-011	NUT,6	4		A	~F145501	
75	990-11060-181	SCREW,6X18	4		B	F145502~	

FIG.2 CARBURETOR

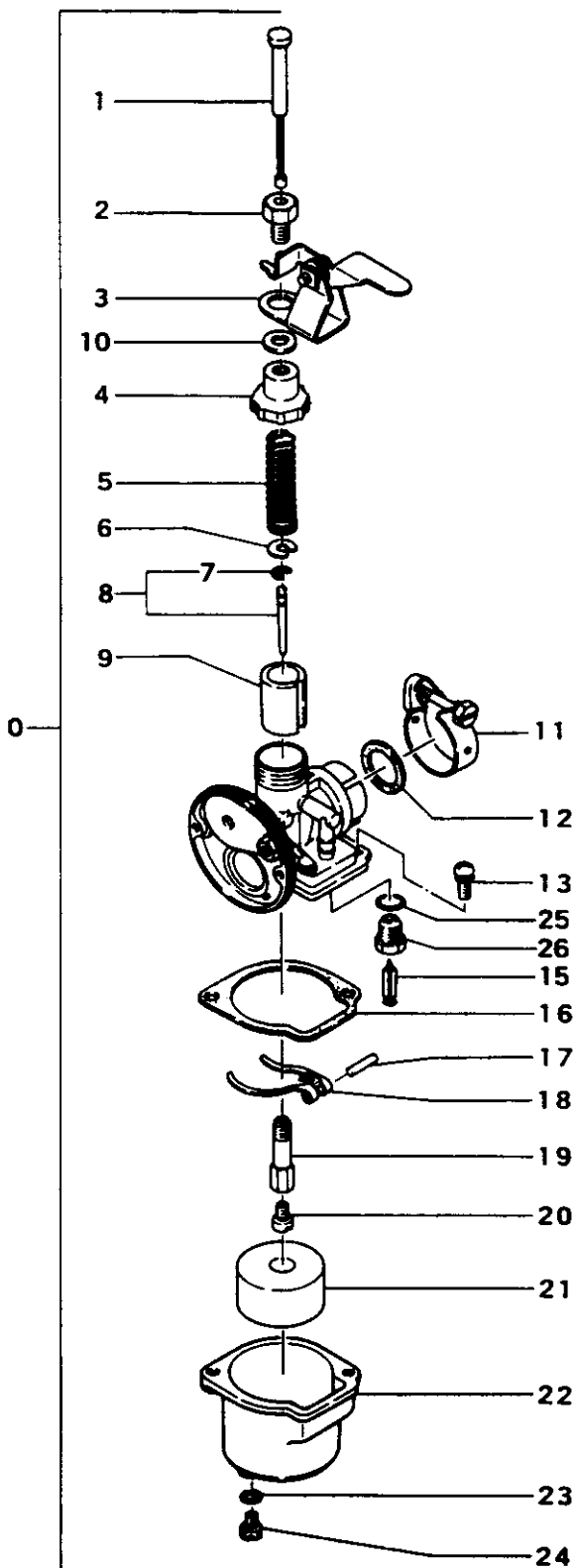


FIGURE 2

TCP-381 PARTS LISTING

REF.	PART NO.	PART DESCRIPTION	Q	C	S	SERIAL NO.	REMARKS
0	455-21005-920	CARBURETOR,ASS'Y	1		C		
1	495-10209-800	WIRE,THROTTLE	1		D		
2	507-10209-200	BOLT,LINK MOTION	1		D		
3	490-10209-900	LEVER,LINK,ASS'Y	1		D		
4	595-21005-200	CAP,BODY	1		D		
5	594-20200-200	SPRING,THROTTLE VALVE	1		D		
6	619-20203-200	RECEIVER,THROTTLE SPRING	1		D		
7	593-20400-200	CLIP,JET NEEDLE	1		C		
8	592-2002T-930	NEEDLE,JET,ASS'Y	1		C		
9	591-2004T-200	VALVE,THROTTLE	1		D		
10	505-10209-200	WASHER,LINK MOTION	1		D		
11	561-20200-900	BAND,BODY ASS'Y	1		D		
12	571-20200-200	SEAL,MANIFOLD	1		C		
13	994-34040-101	SCREW,PS,4X10	2		D		
15	603-20400-200	VALVE,NEEDLE	1		A		
16	607-20110-200	GASKET,FLOAT CHAMBER	1		B		
17	605-20202-200	PIN,FLOAT ARM	1		D		
18	628-20400-200	ARM,FLOAT	1		C		
19	598-2008T-950	JET,NEEDLE	1		D		
20	599-2001T-780	JET,MAIN,#78	1		C		
21	604-20110-200	FLOAT	1		C		
22	606-20202-200	CHAMBER,FLOAT	1		D		
23	525-20701-200	GASKET,FIBER	1		D		
24	627-21700-200	SCREW,DRAIN	1		D		
25	552-22501-200	O-RING	1		C		
26	602-21004-200	SEAT,NEEDLE	1		C		

* Indicates the part is included in a kit or assembly and is not available individually. Q=Quan. used C=Interchangeability S=Stocking code: A-Fast moving B=Med. fast C=Med. move D=Slow move E=N.L.A. F=Superseded or replaced by a new part

FIG.3 AIR CLEANER

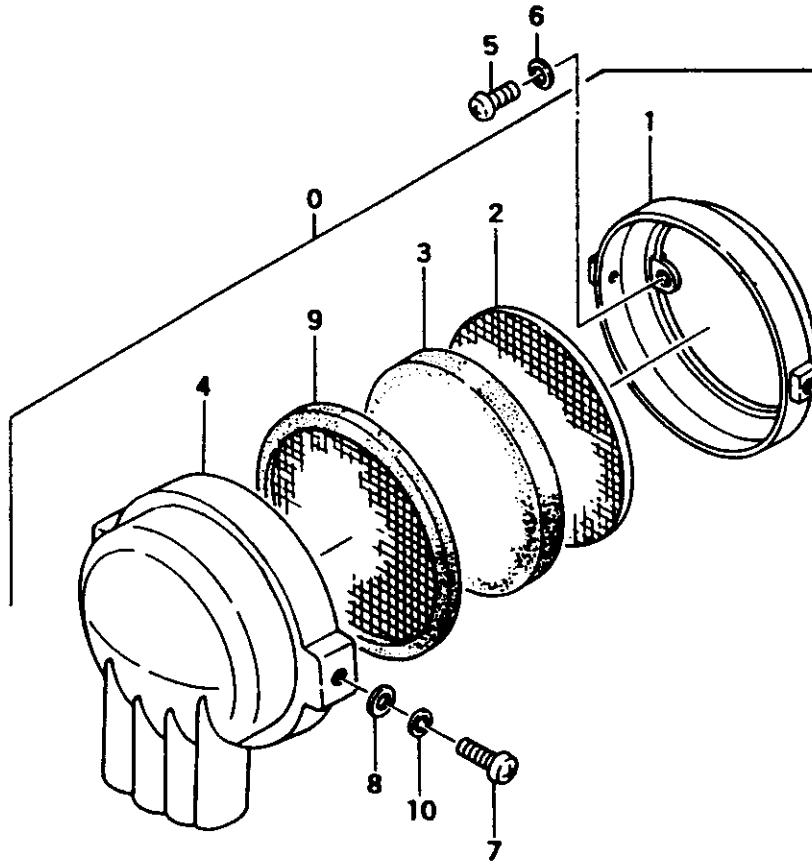


FIGURE 3

TCP-381 PARTS LISTING

REF.	PART NO.	PART DESCRIPTION	Q	C	S	SERIAL NO.	REMARKS
0	410-00731-900	CLEANER,AIR ASS'Y	1		C		
1	423-00700-800	BODY,AIR CLEANER	1		D		
2	426-00700-210	HOLDER,CLEANER	1		D		
3	446-00700-220	ELEMENT,CLEANER	1		C		
4	424-00731-201	COVER,AIR CLEANER	1		C		
5	990-11040-101	SCREW,4X10	2		A		
6	992-10040-012	WASHER,S,4	2		B		
7	990-11040-101	SCREW,4X10	2		A		
8	992-01040-011	WASHER,4	2		C		
9	425-00700-200	HOLDER,CLEANER,A	1		D		
10	992-10040-012	WASHER,S,4	2		B		

FIG.4 RECOIL STARTER

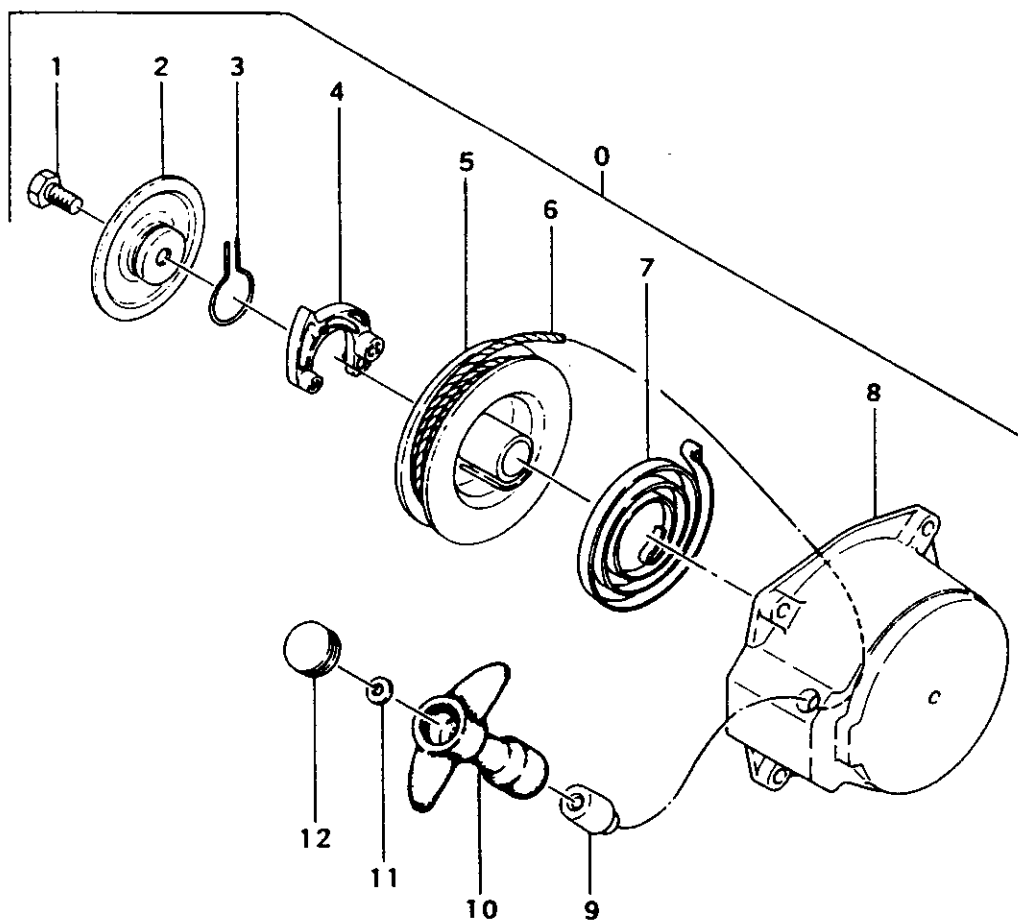


FIGURE 4

TCP-381 PARTS LISTING

REF.	PART NO.	PART DESCRIPTION	Q	C	S	SERIAL NO.	REMARKS
0	762-10205-900	STARTER,RECOIL ASS'Y	1		D	~G055340	
0	762-10244-900	STARTER,RECOIL ASS'Y	1		D	G055341~	
1	990-21060-121	BOLT,6X12	1		C		
2	837-10205-200	PLATE,FRICTION	1		C		
3	836-10205-200	SPRING,FRICTION	1		C		
4	788-10205-200	PAWL,STARTER	1		C		
5	774-10246-800	PULLEY,STARTER	1		C		
6	783-10205-200	ROPE,STARTER	1		D		
7	779-10205-200	SPRING,RECOIL	1		B		
8	772-10205-200	BODY,RECOIL STARTER	1		D	~G055340	
8	772-10244-200	BODY,RECOIL STARTER	1		D	G055341~	
9	780-10108-200	RECEIVER,HANDLE	1		B		
10	785-10118-200	HANDLE,STARTER	1		C		
11	992-01040-011	WASHER,4	1		C	~F145501	
11	795-10243-200	STOPPER,ROPE	1		C	F145502~	
12	835-10246-200	CAP,STARTER HANDLE	1		C		

FIG.5 FUEL TANK

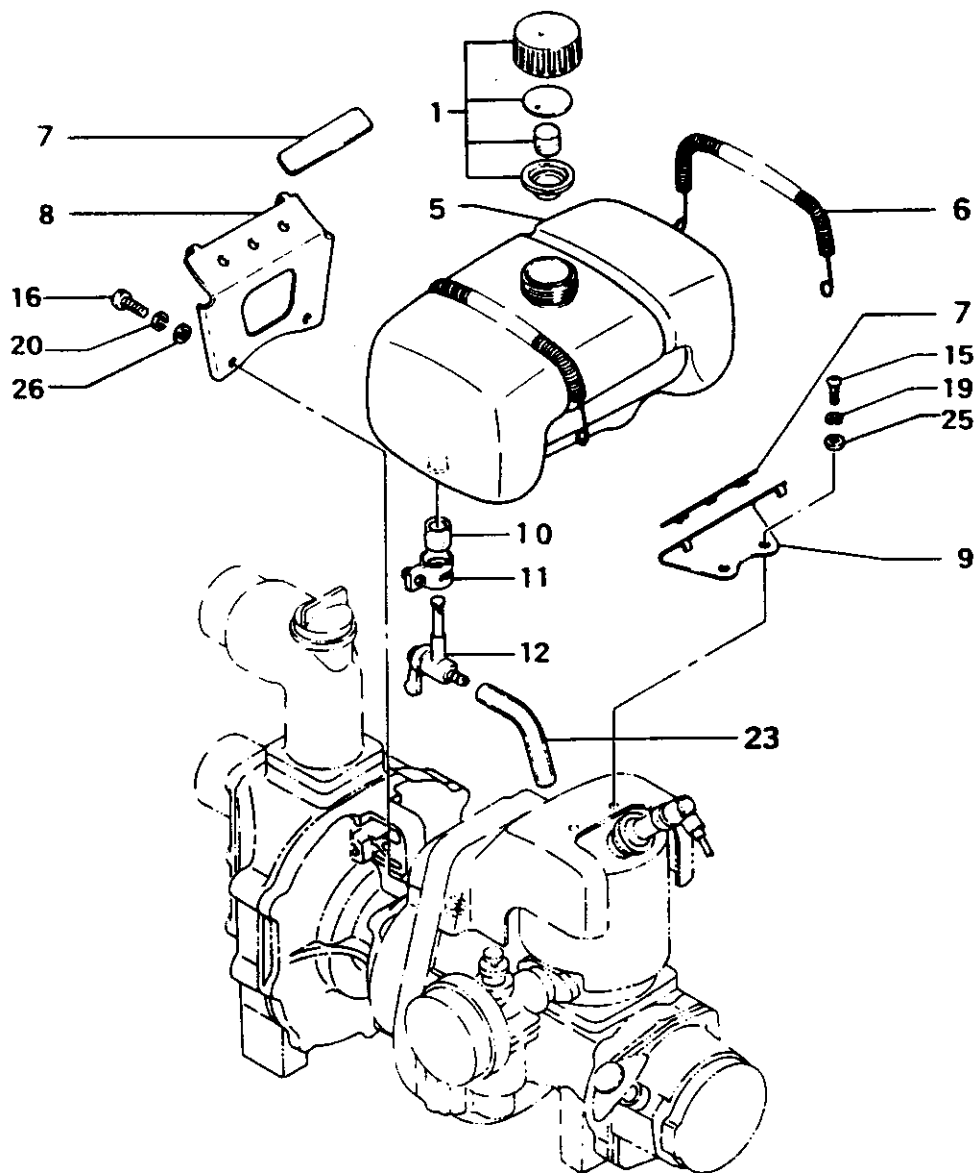


FIGURE 5

TCP-381 PARTS LISTING

REF.	PART NO.	PART DESCRIPTION	Q	C	S	SERIAL NO.	REMARKS
1	595-0135K-90	CAP,TANK	1		A		
5	591-01047-200	TANK,FUEL	1		B		
6	648-01550-215	BAND,TANK HOLDING	2		C		
7	655-10209-201	RUBBER,TANK HOLDING METAL	2		D		
8	653-10209-201	BRACKET,TANK	1		D		
9	654-10209-201	METAL,HOLDING,B	1		D		
10	222-31700-200	TUBE,SEALED	1		C		
11	680-10209-200	CLIP	1		D		
12	592-10209-900	PET-COCK,ASS'Y	1		C		
15	990-11050-141	SCREW,5X14	2		D		
16	990-21060-121	BOLT,6X12	2		C		
19	992-10050-012	WASHER,S,5	2		A		
20	992-10060-012	WASHER,S,6	2		A		
23	700-05008-190	PIPE,FUEL,5X8X190	1		C		
25	992-01050-011	WASHER,5	2		A		
26	992-01060-011	WASHER,6	2		A		

* Indicates the part is included in a kit or assembly and is not available individually. Q=Quan. used C=Interchangeability S=Stocking code: A=Fast moving B=Med. fast C=Med. move D=Slow move E=N.L.A. F=Superseded or replaced by a new part

FIG.6 PUMP

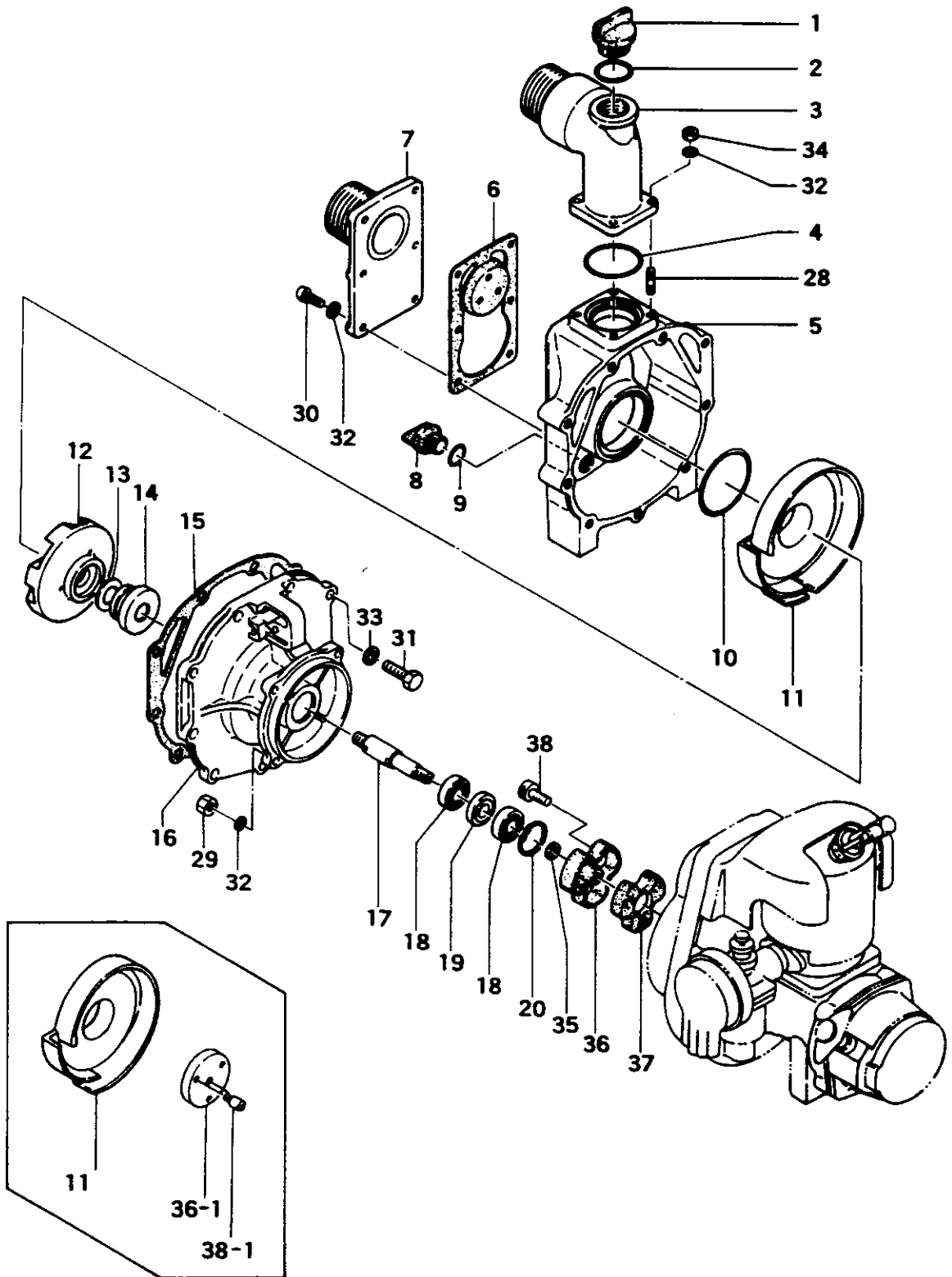


FIGURE 6

TCP-381 PARTS LISTING

REF.	PART NO.	PART DESCRIPTION	Q	C	S	SERIAL NO.	REMARKS
1	360-31200-210	PLUG,PRIMING	1		C		
2	999-67025-500	O-RING,P-25.5	1		C		
3	384-31700-212	ELBOW,DELIVERY	1		C		
4	999-67042-000	O-RING,P42	1		C		
5	330-31700-211	CASING	1		D		
6	350-31700-804	GASKET,SUCTION PLATE	1		C		
7	320-31700-812	PLATE,SUCTION	1		D		
8	021-31200-200	PLUG,DRAIN	1		C		
9	999-67015-000	O-RING,P15	1		C		
10	999-67049-000	O-RING,P49	1		C		
11	310-31700-211	CHAMBER,VOLUTE	1		C		
12	031-31700-211	IMPELLER	1		C		
13	034-31700-230	SHIM,10.2X15X.20	1		C		
13	034-31700-240	SHIM,10.2X15X.30	1		C		
13	034-31700-250	SHIM,10.2X15X.50	1		C		
14	160-31700-900	SEAL,MECHANICAL,ASS'Y	1		C		
15	331-31700-200	GASKET,CASING	1		B		
16	300-31700-212	PLATE,END	1		D		
17	033-31700-200	SHAFT,IMPELLER	1		D		
18	999-61600-104	BEARING,BALL,#6001DD	2		B		
19	401-31700-201	COLLAR,BEARING	1		C		
20	993-51028-002	RING,STOP,IN,C-28	1		C		
28	100-02000-200	BOLT,STUD 6X24	4		D		
29	991-01060-011	NUT,6	4		A		
30	990-11060-201	SCREW,6X20	6		D		
31	990-21080-251	BOLT,8X25	9		D		
32	992-10060-012	WASHER,S,6	14		A		
33	992-10080-012	WASHER,S,8	9		B		
34	991-01060-011	NUT,6	4		A		
35	801-10205-202	WASHER,PULLEY	1		C	C223696-	
36-1	402-31700-201	COUPLING	1		D	~C223695	
36	402-31700-210	COUPLING	1		C	C223696~	
37	404-31700-200	RUBBER,COUPLING	1		E	~C223695	
37	404-31700-210	RUBBER,COUPLING	1		C	C223696~	
38-1	403-31700-200	PIN,COUPLING	3		D	~C223695	
38	990-51080-143	BOLT,HEX.HOLE,8X14	3		D	C223696~	

* Indicates the part is included in a kit or assembly and is not available individually. Q=Quan. used C=Interchangeability S=Stocking code: A-Fast moving B=Med. fast C=Med. move D=Slow move E=N.L.A. F=Superseded or replaced by a new part

FIG.7 HANDLE & BASE

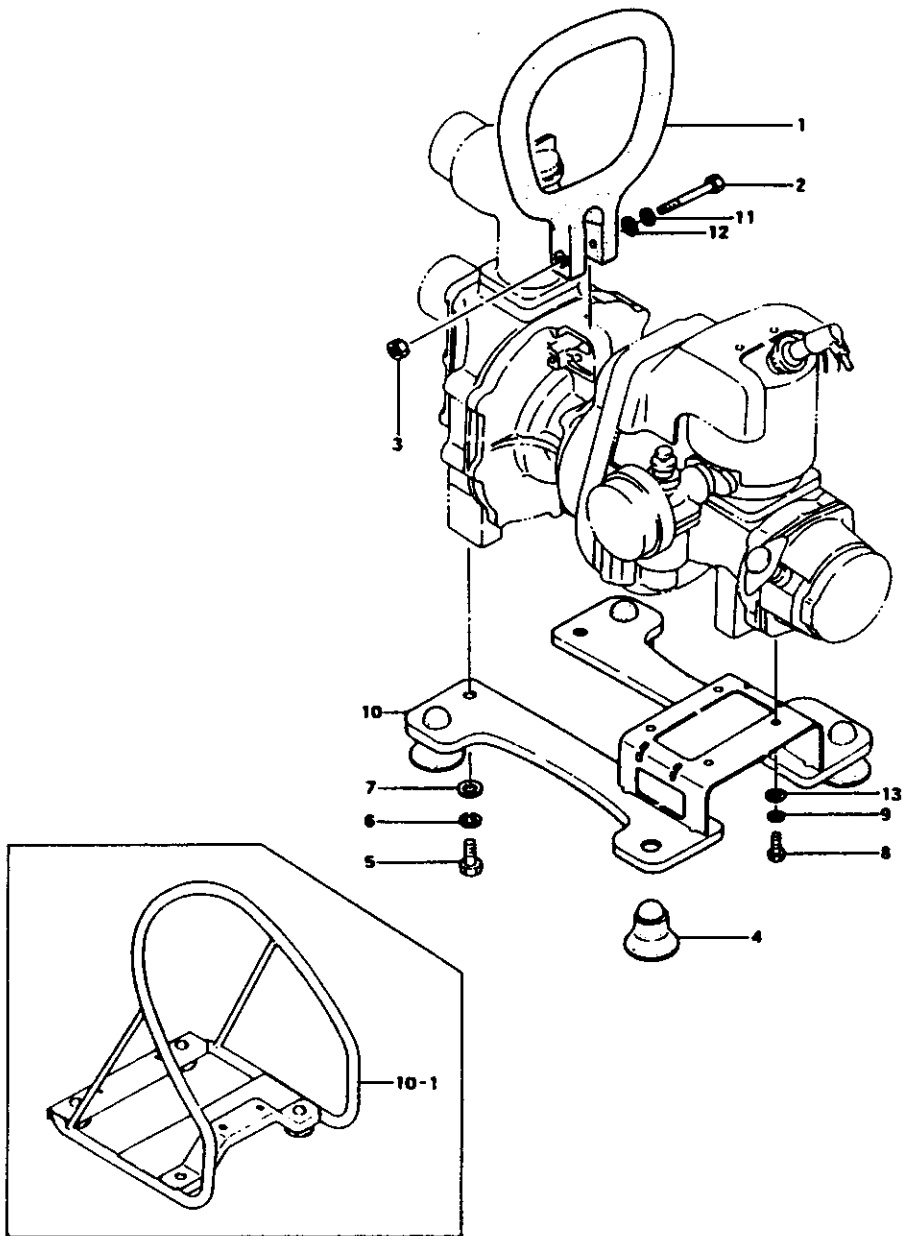


FIGURE 7

TCP-381 PARTS LISTING

REF.	PART NO.	PART DESCRIPTION	Q	C	S	SERIAL NO.	REMARKS
1	500-31710-203	HANDLE	1		D		
2	990-21060-501	BOLT,6X50	1		D		
3	991-01060-011	NUT,6	1		A		
4	312-31700-201	CUSHION	4		C		
5	990-21080-181	BOLT,8X18	2		D		
6	992-10080-012	WASHER,S,8	2		B		
7	992-01080-011	WASHER,8	2		A		
8	990-21060-161	BOLT,6X16	4		D		
9	992-10060-012	WASHER,S,6	4		A		
10-1	080-31700-800	BASE	1		D	-C045094	
10	085-31710-801	BED,PUMP	1		D	C045095-	
11	992-10060-012	WASHER,S,6	1		A		
12	992-01060-011	WASHER,6	1		A		
13	992-01060-011	WASHER,6	4		A		

* Indicates the part is included in a kit or assembly and is not available individually. Q=Quan. used C=Interchangeability S=Stocking code: A-Fast moving B=Med. fast C=Med. move D=Slow move E=N.L.A. F=Superceded or replaced by a new part

FIG.8 TOOLS & OPTIONAL PARTS

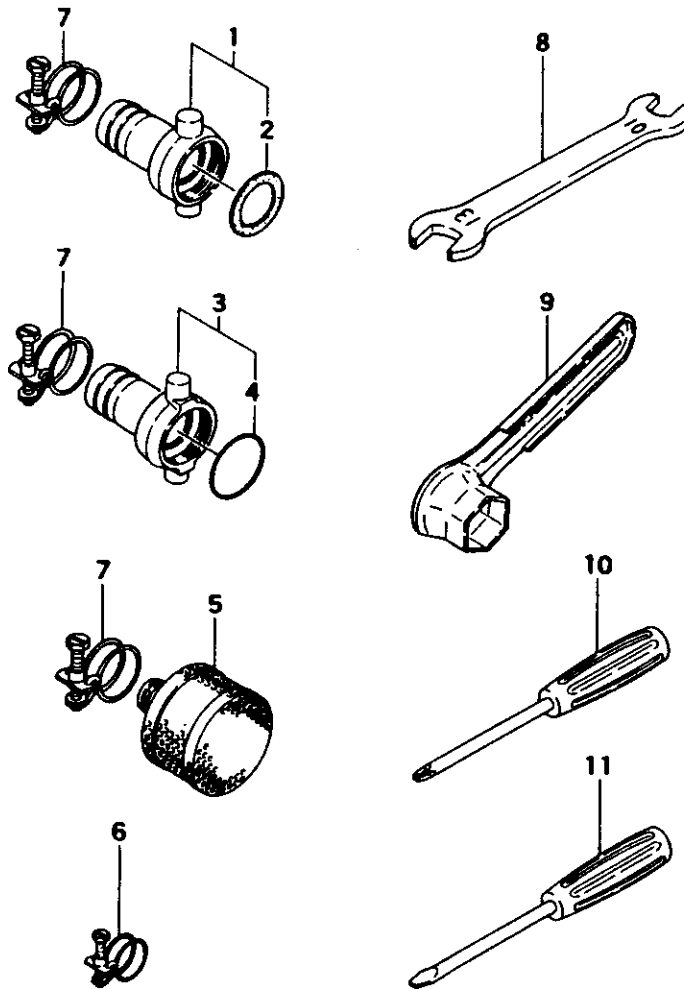


FIGURE 8

TCP-381 PARTS LISTING

REF.	PART NO.	PART DESCRIPTION	Q	C	S	SERIAL NO.	REMARKS
1	050-31701-900	COUPLING,1-1/2"	1		C		
2	054-31701-200	GASKET,WATER COUPLING	1		C		
3	050-31701-900	COUPLING,1-1/2"	1		C		
4	999-67038-012	O-RING,38	1		C		
5	100-31700-800	STRAINER,TCP	1		D		
6	132-31223-200	BAND,WIRE,33	1		C		
7	571-12150-200	CLAMP,WIRE,45	3		D		
8	808-20000-200	SPANNER,10X13	1		D		
9	850-20000-201	SPANNER,SPARK PLUG	1		D		
10	862-20000-200	SCREW DRIVER,PHILLIPS	1		D		
11	863-20000-200	DRIVER,SCREW	1		D		

FIG.9 MARKS

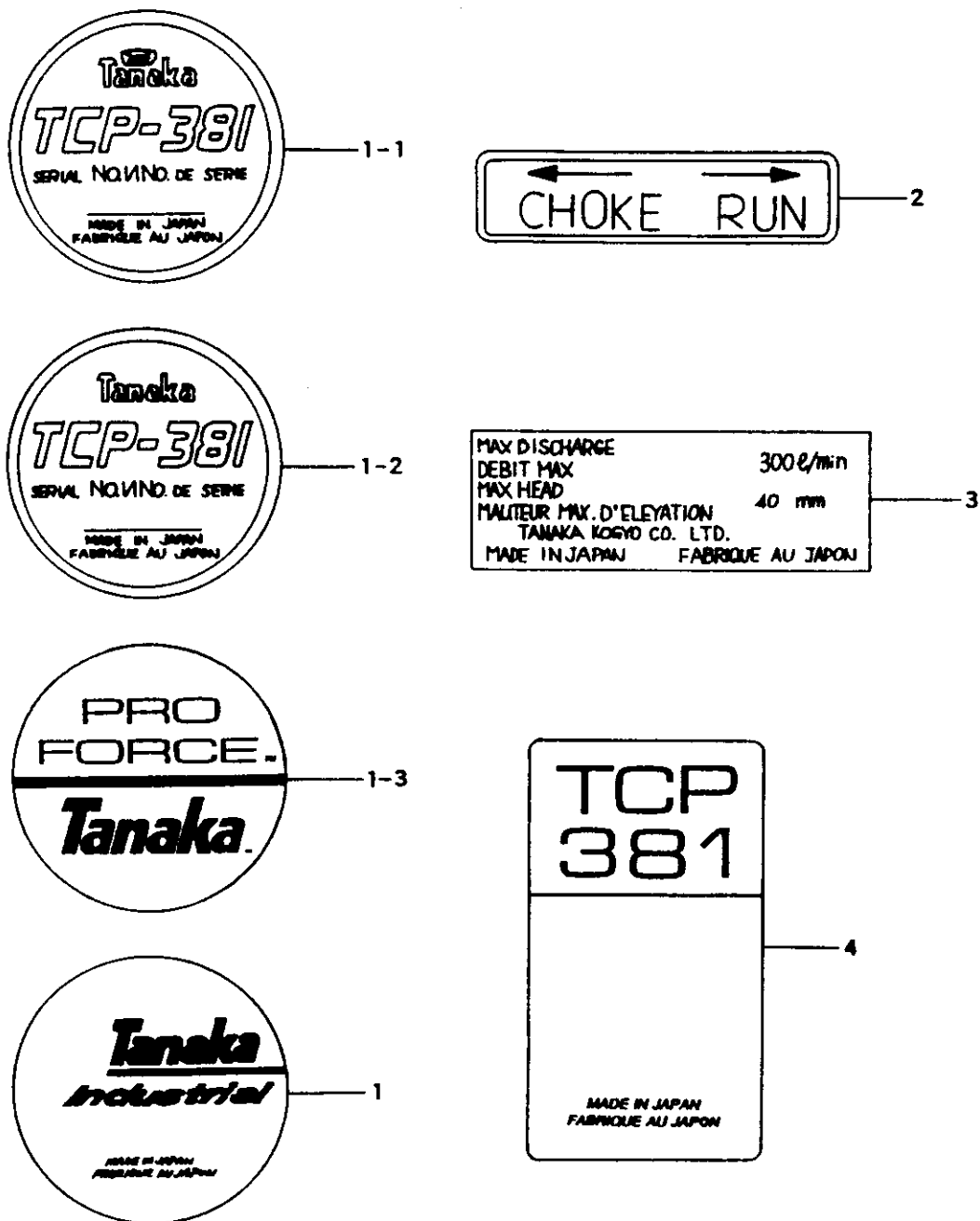


FIGURE 9

TCP-381 PARTS LISTING

REF.	PART NO.	PART DESCRIPTION	Q	C	S	SERIAL NO.	REMARKS
1-1	140-31702-210	DECAL	1		D	~F137600	
1-2	140-31702-211	DECAL	1		D	~J007250	
1-3	950-31713-200	DECAL,PRO-FORCE A	1		D	~K239350	
1	929-10225-200	DECAL,SYMBOL	1		D	K239351~	
2	908-04021-200	DECAL,CHOKE	1		D		
3	892-31702-200	DECAL,OUTPUT	1		D		
4	906-31713-200	DECAL,TCP-381	1		D	J007251~	
4	906-31713-201	DECAL,INDUSTRIAL	1		D	K239351~	