



Illustrated Parts Manual

Model Number:

TED-210

PORTABLE GAS DRILL

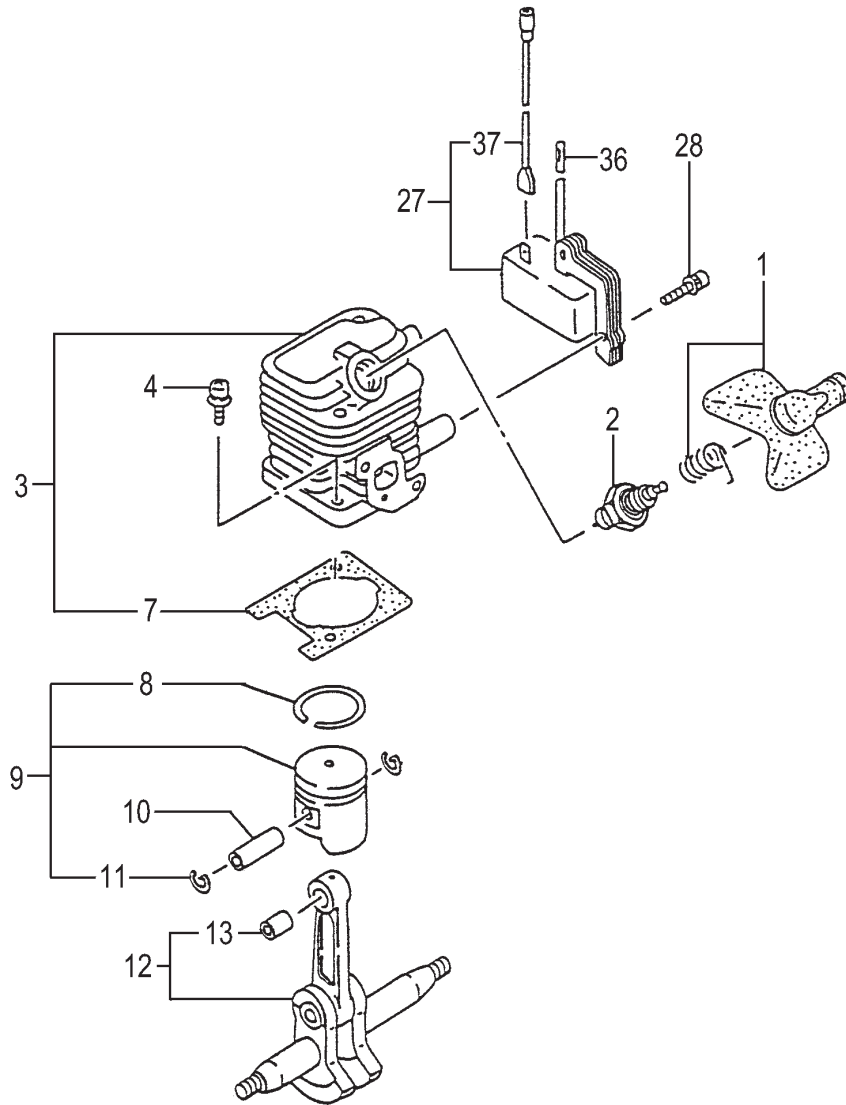
P/N 11920

Rev 000

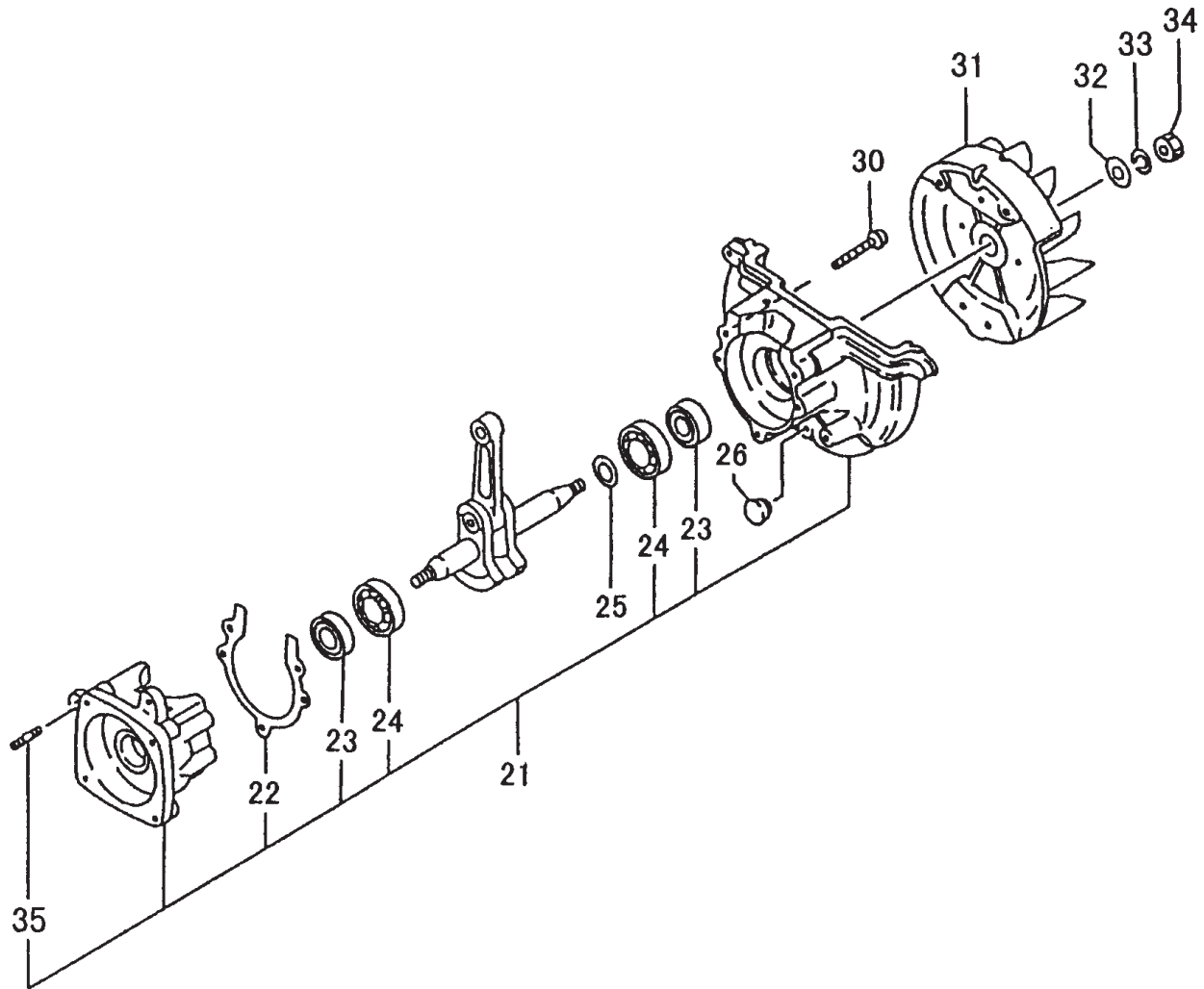
Date 1-15-08



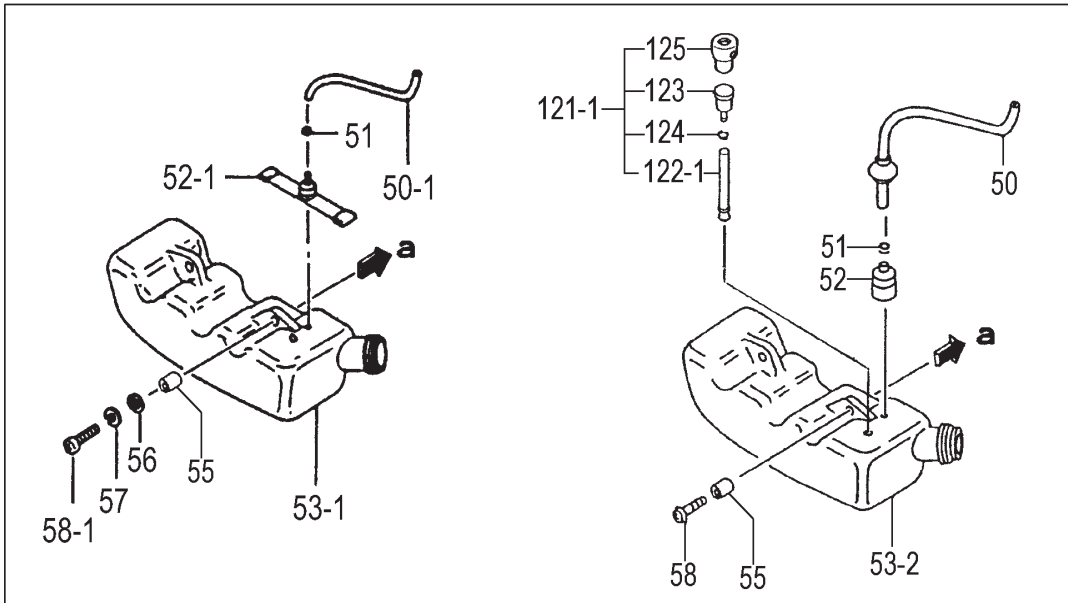
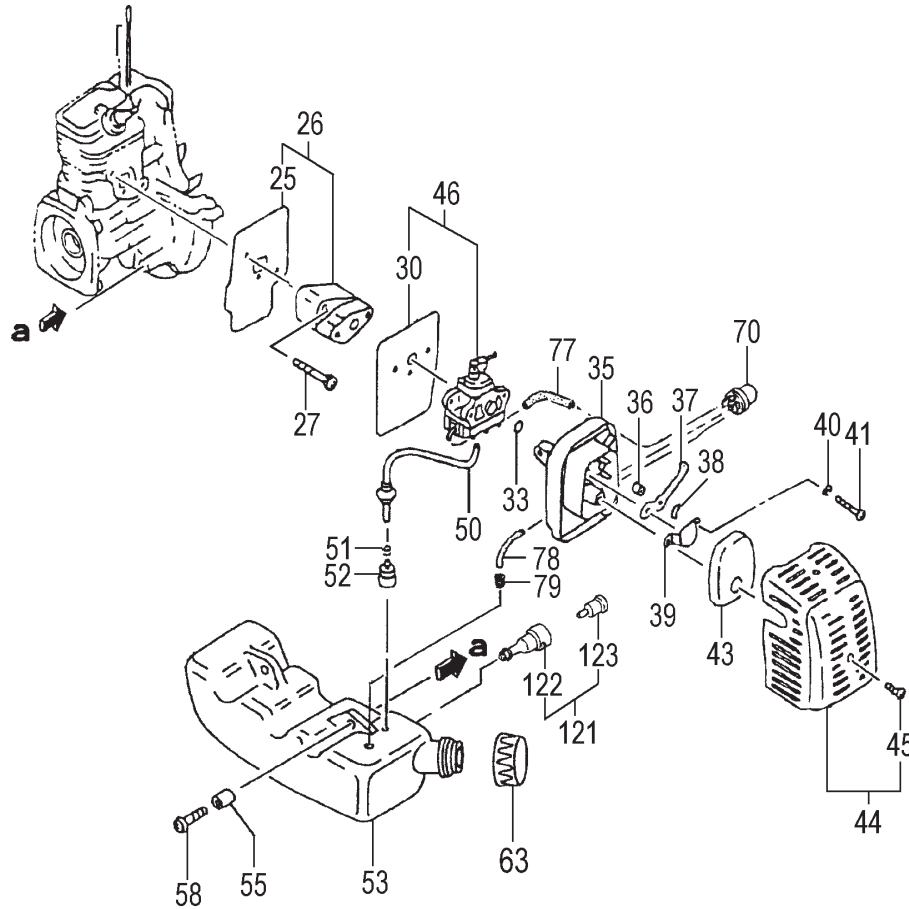
Nikko Tanaka Engineering U.S.A.,Ltd. • 1028 4th Street SW, Bldg B • Auburn, WA 98001 • Phone: (253) 333-1200 • Fax: (253) 333-1212



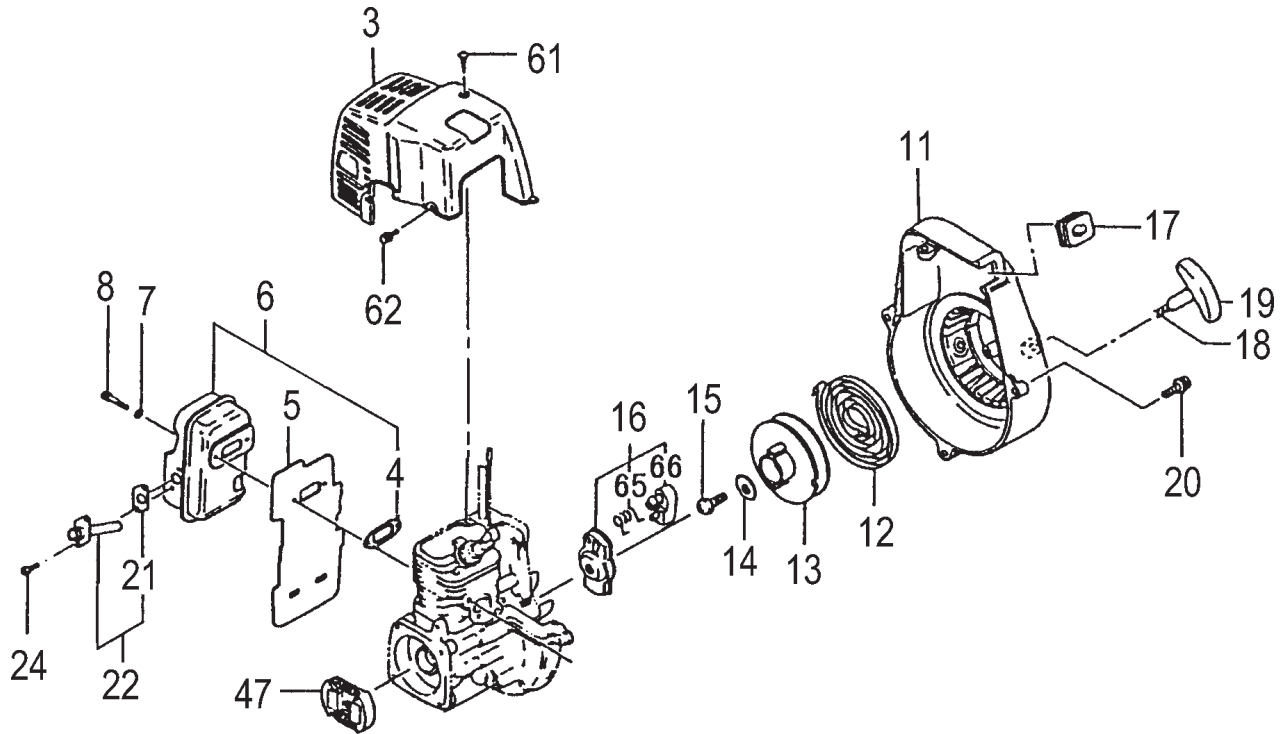
ITEM	PART NUMBER	DESCRIPTION	QTY	COMMENTS
1-1	1570650091	CAP,SPARK PLUG ASS'Y	1	
1-2	0181166021	PLUG,SPARK	1	
1-3	0010650A90	CYLINDER SET	1	Includes gasket
1-4	99461050184	BOLT,HEX,5X18,S	2	
1-7	0170650020	GASKET,CYLINDER	1	
1-8	04100601210	RING,PISTON	1	
1-9	0300650A90	PISTON SET	1	Includes rings & circlips
1-10	03706500200	PIN,PISTON	1	
1-11	03901620200	CIRCLIP,PISTON PIN	2	
1-12	04606500801	CRANKSHAFT	1	
1-13	99962081225	BEARING,NEEDLE,F-810	1	
1-27	1532153390	COIL,IGNITION	1	
1-28	99416040226	SCREW,WS,4X22	2	
1-36	25006500200	TUBE,INSULATOR	1	
1-37	1780650080	CORD,STOP	1	R107152~



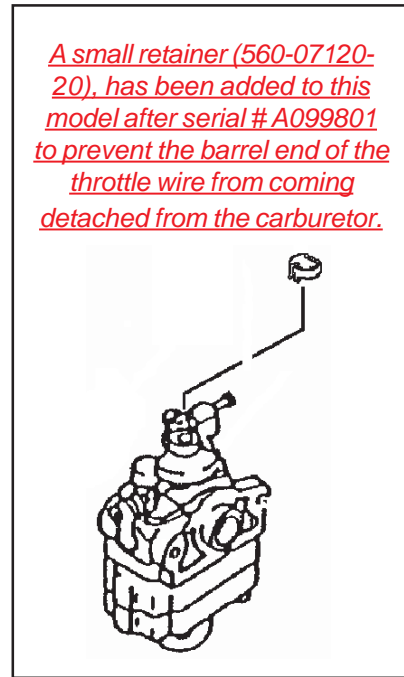
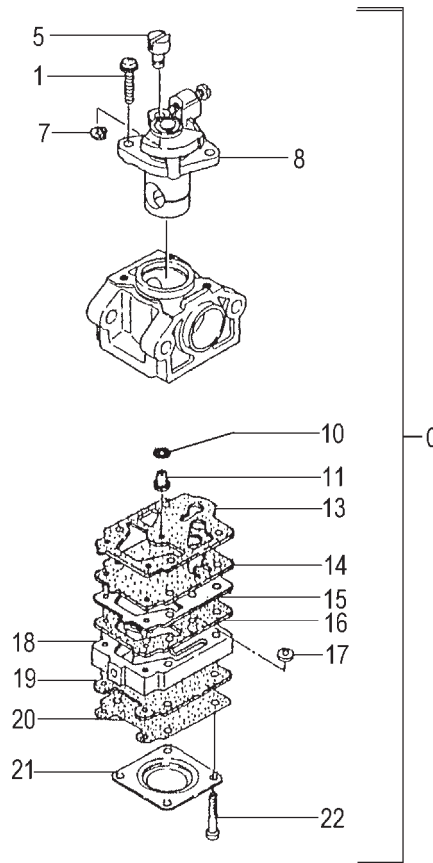
ITEM	PART NUMBER	DESCRIPTION	QTY	COMMENTS
2-21	07206502900	CRANKCASE,ASS'Y	1	Includes gasket, seals and bearings
2-22	09006500200	GASKET,CRANKCASE	1	
2-23	99966122240	SEAL,OIL,#12227	2	
2-24	99961600115	BEARING,BALL,6001 C3	2	
2-25	33000200210	SHIM,12.2X19X.10	1	
2-25	33000200220	SHIM,12.2X19X.15	1	
2-25	33000200230	SHIM,12.2X19X.20	1	
2-25	33000200240	SHIM,12.2X19X.30	1	
2-26	59900601200	CUSHION	1	
2-30	99461050304	BOLT,HEX,5X30S	3	
2-31	1552152380	ROTOR,MAGNETO	1	
2-32	99201080011	WASHER,8	1	
2-33	99210080012	WASHER,S,8	1	
2-34	99101080011	NUT,8	1	
2-35	10012000200	STUD,6X26	2	



ITEM	PART NUMBER	DESCRIPTION	QTY	COMMENTS
3-25	40306500200	GASKET,INTAKE	1	
3-26	4040650090	SET,CARB INSULATOR	1	
3-27	99416050252	SCREW,5X25WS	2	
3-30	40206500200	GASKET,CARBURETOR	1	
3-33	99967015000	O-RING,P15	1	
3-35	4230650081	BODY,CLEANER	1	
3-36	47006500200	COLLAR	2	
3-37	52806500200	LEVER,CHOKE	1	
3-38	99204080030	WASHER,8	1	
3-39	47601700200	BOARD,BLOW OVER CHECK	1	
3-40	99210050012	WASHER,S,5	2	
3-41	99011050602	SCREW,5X60	2	
3-43	4460650021	FILTER,AIR	1	
3-44	4520650091	COVER,CLEANER,W/BOLT	1	
3-45	3800637C200	BOLT,CLEANER COVER	1	
3-46	4550651A90	CARBURETOR	1	Z333901~ Includes gasket
3-50-1	70053005130	PIPE,FUEL	1	~R107151
3-50	2230650090	PIPE,FUEL,ASS'Y	1	R107152~
3-51	68000731201	CLIP 6.3	1	
3-52-1	6750608A900	FILTER,FUEL	1	~P048170
3-52	6750404280	FILTER,FUEL	1	P048171~
3-53-1	5910650000	TANK,FUEL	1	~T257999
3-53-2	5910660121	TANK,FUEL	1	~Z333900
3-53	5910651A22	TANK,FUEL	1	Z333901~
3-55	65900801200	COLLAR	2	
3-56	99201050011	WASHER,5	2	~L206278
3-57	99210050012	WASHER,S,5	2	~L206278
3-58-1	99011050181	SCREW,5X18	2	~L206278
3-58	99463050185	BOLT,HEX 5X18PS	2	L206279~
3-63	5950650A90	CAP,TANK	1	~T257999
3-63	5950656B90	CAP,FUEL BLACK,NON VENT	1	T258000~
3-70	44225143800	PUMP,PRIMING ASS'Y	1	Z333901~
3-77	7000250408	PIPE,FUEL,2.5x4x80	1	Z333901~
3-78	7000250407	PIPE,FUEL,2.5x4x70	1	Z333901~
3-79	53432710200	GROMMET,FUEL PIPE	1	Z333901~
3-121	5640661190	VENT,AIR ASS'Y	1	V123421~
3-122-1	5650660121	PIPE,AIR VENT	1	~V123420
3-122	5650441020	PIPE,AIR VENT	1	V123421~
3-123	6460661290	VALVE	1	T258000~
3-124	68000206200	CLIP,5.5	1	~V123420
3-125	5610007020	COVER,AIR VENT	1	~V123420

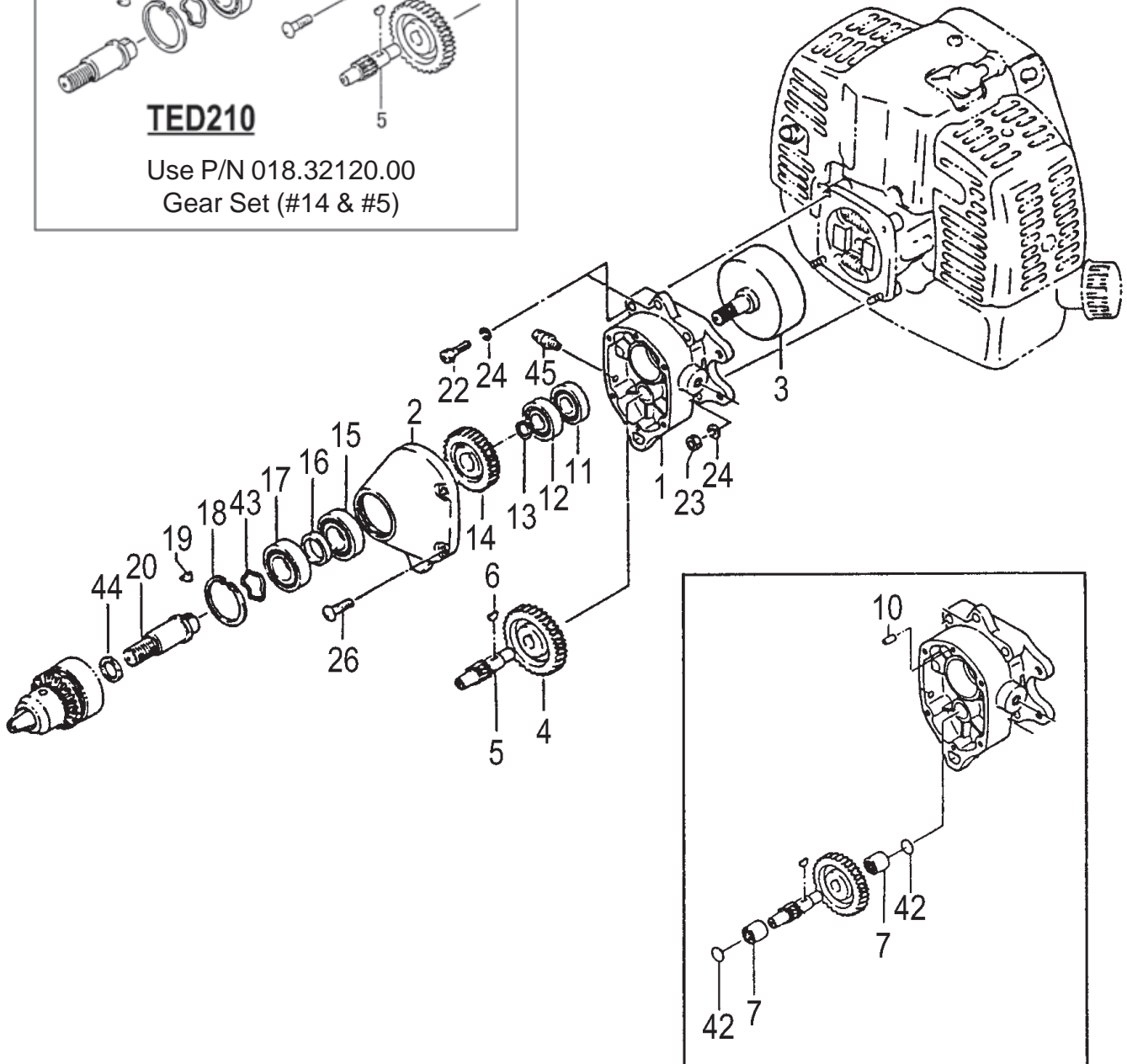
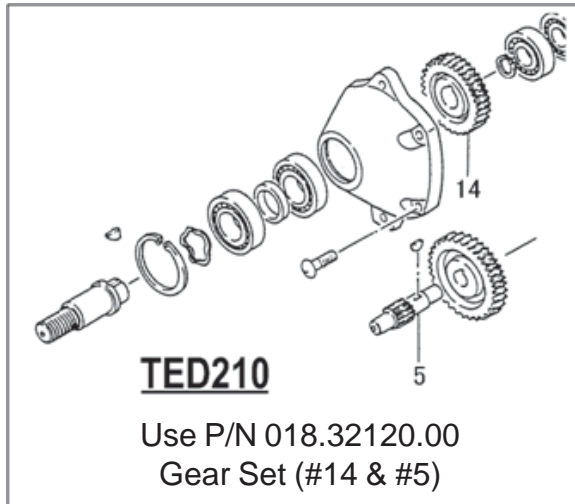


ITEM	PART NUMBER	DESCRIPTION	QTY	COMMENTS
4-3	7380650020	PROTECTOR,MUFFLER	1	
4-4	73706500200	GASKET,MUFFLER	1	
4-5	13306500200	SHIELD,HEAT	1	
4-6	7040650091	MUFFLER SET	1	
4-7	99201050011	WASHER,5	2	
4-8	99051050503	BOLT,HEX,5X50	2	
4-11	1120650A80	CASE,FAN	1	
4-12	78006097200	SPRING,RECOIL	1	
4-13	77406097200	PULLEY,STARTER	1	
4-14	80106091200	WASHER,ROPE REEL	1	~Q020413
4-15	8390201020	SCREW,SET	1	
4-16	79806500900	PULLEY,STARTER,ASS'Y	1	
4-17	2030604A202	GROMMET	1	
4-18	78306097200	ROPE,STARTER	1	
4-19	78506410200	HANDLE,STARTER	1	
4-20	99415040162	SCREW,PS,4X16	3	
4-21	75106500200	GASKET,MUFFLER	1	
4-22	7210650290	TAIL PIPE SET	1	
4-24	99434040081	SCREW,4X8/S	2	
4-47	2770634F901	CLUTCH,ASSY	1	
4-61	99072045164	SCREW,TAPPING,4.5X16	1	
4-62	99425040128	BOLT,PS,4X12	2	
4-65	79006097200	SPRING,STARTER PAWL	1	
4-66	7880650020	PAWL,STARTER	1	

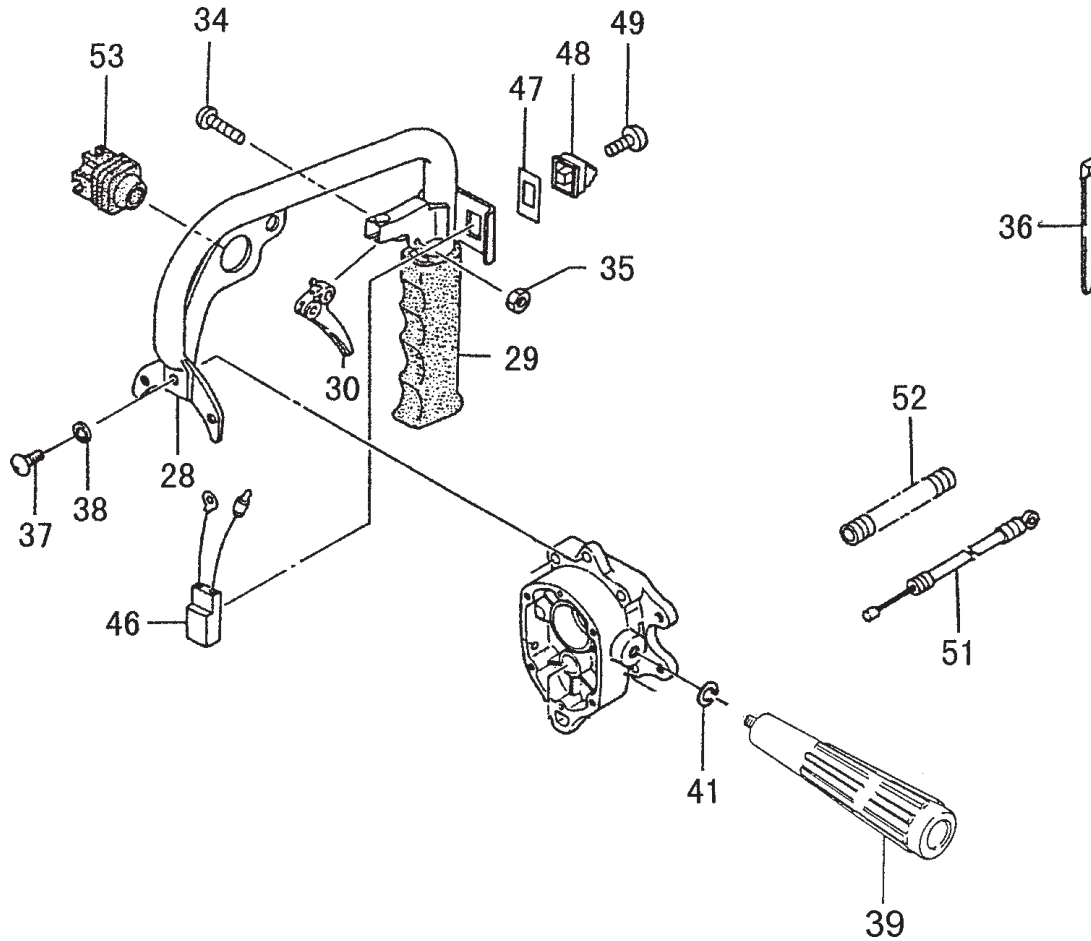


ITEM	PART NUMBER	DESCRIPTION	QTY	COMMENTS
5-0	4552518290	CARBURETOR,ASS'Y	1	~Z333900 Includes gasket
5-1	54825140200	SCREW,THROTTLE SET	2	
5-5	53925120200	SWIVEL	1	
5-7	48925100200	RING,STOP	1	
5-8	48825145800	VALVE,THROTTLE	1	~S259000
5-10	55025100200	O-RING	1	
5-11	5992000W410	JET,MAIN,#41	1	~S259000
5-11	5992000W35	JET,MAIN,#35	1	~Z333900
5-11	599200BW34	JET,MAIN,LONG,#34.5	1	Z333901~
5-13	~ ~ ~	GASKET,PUMP	1	
5-14	~ ~ ~	DIAPHRAGM,PUMP	1	
5-15	52325100201	PLATE,PUMP	1	~S259000
5-16	52225100200	PLATE,CIRCUIT	1	~S259000
5-17	57825007200	SCREEN,INLET	1	
5-18	57525140800	BODY,PUMP	1	~S259000
5-18	5752518280	BODY,PUMP	1	~Z333900
5-18	5752514780	BODY,PUMP ASS'Y	1	Z333901~
5-19	~ ~ ~	GASKET,DIAPHRAGM	1	~ Contained in Carb Repair Kit
5-19	~ ~ ~	GASKET,DIAPHRAGM	1	P/N 650-25140-900
5-20	~ ~ ~	DIAPHRAGM,METERING	1	(not available individually)
5-21	47625004200	COVER,DIAPHRAGM	1	
5-22	54825101200	SCREW,SET	4	

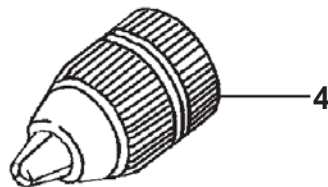
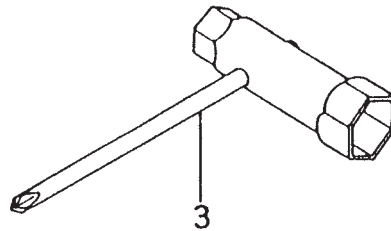
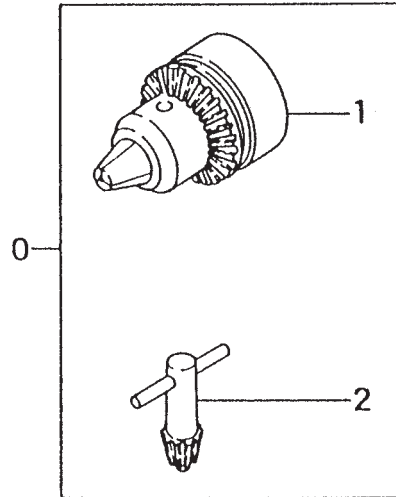
Units after S/N C085101



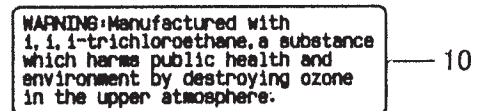
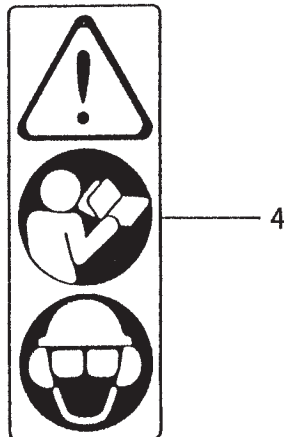
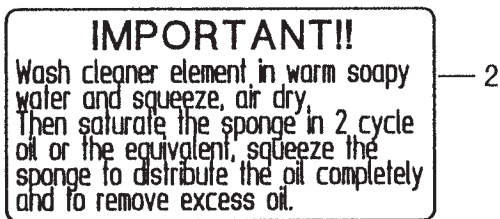
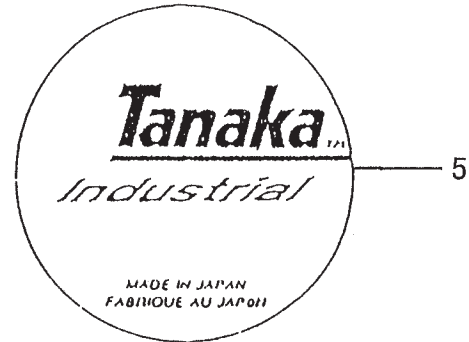
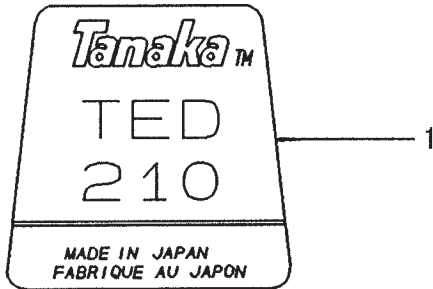
ITEM	PART NUMBER	DESCRIPTION	QTY	COMMENTS
6-0	0183212000	GEAR SET	1	C085101~
6-1	0023218280	CASE,GEAR A	1	
6-2	0063210A80	CASE,GEAR,B	1	
6-3	2263210A800	HOUSING,CLUTCH	1	
6-4	01232120200	GEAR,#2	1	
6-5	01632120201	GEAR,#3	1	NLA - Use 018.32120.00 Gear Set
6-5	0163212021	GEAR,#3	1	After S/N C085101~
6-6	06800300200	KEY,WOODRUFF,3X10X3.7	1	
6-7	99962091211	BEARING,NEEDLE,TLA912	2	~P230680
6-10	99905041201	PIN,KNOCK,4X12	2	~P230680
6-11	99961600102	BEARING,BALL,#6001Z	1	
6-12	99961600115	BEARING,BALL,6001 C3	1	
6-13	99350012002	RING,STOP,C-12 EX	1	
6-14	01832120200	GEAR,4	1	NLA - Use 018.32120.00 Gear Set
6-14	0183212021	GEAR,4	1	After S/N C085101~
6-15	99961720221	BEARING,BALL,#7202B	1	
6-16	04032120201	WASHER,BEARING	1	
6-17	99961620202	BEARING,BALL,#6202Z	1	
6-18	99351035002	RING,IN,C-35,STOP	1	
6-19	06801006200	KEY,WOODRUFF,3X13X5	1	
6-20	02232120201	SHAFT,DRIVE	1	
6-22	99023060301	BOLT,P,6X30	2	
6-23	99101060011	NUT,6	2	
6-24	99210060012	WASHER,S,6	4	
6-26	99414050181	SCREW,S,5X18	4	
6-42	02532120200	WASHER,GEAR	2	~P230680
6-43	99209350030	WASHER,WAVE,B.B,35	1	
6-44	23132175200	COLLAR,GEAR SHAFT B	1	
6-45	30032250801	FITTING,GREASE	1	



ITEM	PART NUMBER	DESCRIPTION	QTY	COMMENTS
7-28	2583210A82	HANDLE,A	1	
7-29	1653313020	HANDLE,GRIP,A	1	
7-30	10132120201	LEVER,THROTTLE	1	
7-34	99011050251	SCREW,5X25	1	
7-35	99101050011	NUT,5	2	~L158632
7-35	99101050011	NUT,5	1	L158633~
7-36	19833130200	CLAMP,CORD	2	
7-37	99023060161	BOLT,6X16 PLUS	1	
7-38	99210060012	WASHER,S,6	1	
7-39	25932120810	HANDLE	1	
7-41	99210100012	WASHER,S,10	1	
7-46	1563210A801	SWITCH,STOP	1	
7-47	9253317620	DECAL,STOP BUTTON	1	
7-48	2581165020	BUTTON,STOP	1	
7-49	99011030101	SCREW,3X10	1	
7-51	88506502801	WIRE,THROTTLE	1	
7-52	16407029000	TUBE,PROTECTION,7X290	1	
7-53	1553210A200	HOLDER,CHUCK KEY	1	



ITEM	PART NUMBER	DESCRIPTION	QTY	COMMENTS
8-0	05932120911	CHUCK & KEY SET 1/2"	1	
8-1	06032120911	CHUCK, 1/2"	1	
8-2	06132120811	CHUCK KEY 1/2"	1	
8-3	8292000080	SPANNER, COMBI, 13X19	1	
8-4	27218	KEYLESS CHUCK 1/2"	1	OPTIONAL



ITEM	PART NUMBER	DESCRIPTION	QTY	COMMENTS
9-1	90606502200	DECAL	1	
9-2	9083316021	DECAL,CAUTION	1	N204151~
9-3	91106500200	DECAL,SRS	1	
9-4	9203246620	DECAL,CAUTION	1	
9-5	9293210A200	DECAL,INDUSTRIAL	1	~Q259772
9-6	95037900200	DECAL,PRO-FORCE A	1	Q259773~
9-10	9200650A20	DECAL,WARNING	1	N204151~
9-10	9200650A20	DECAL,WARNING	1	~Q259772