

Tanaka Illustrated Parts Manual

Model Number:

THB-2510

HAND HELD BLOWER

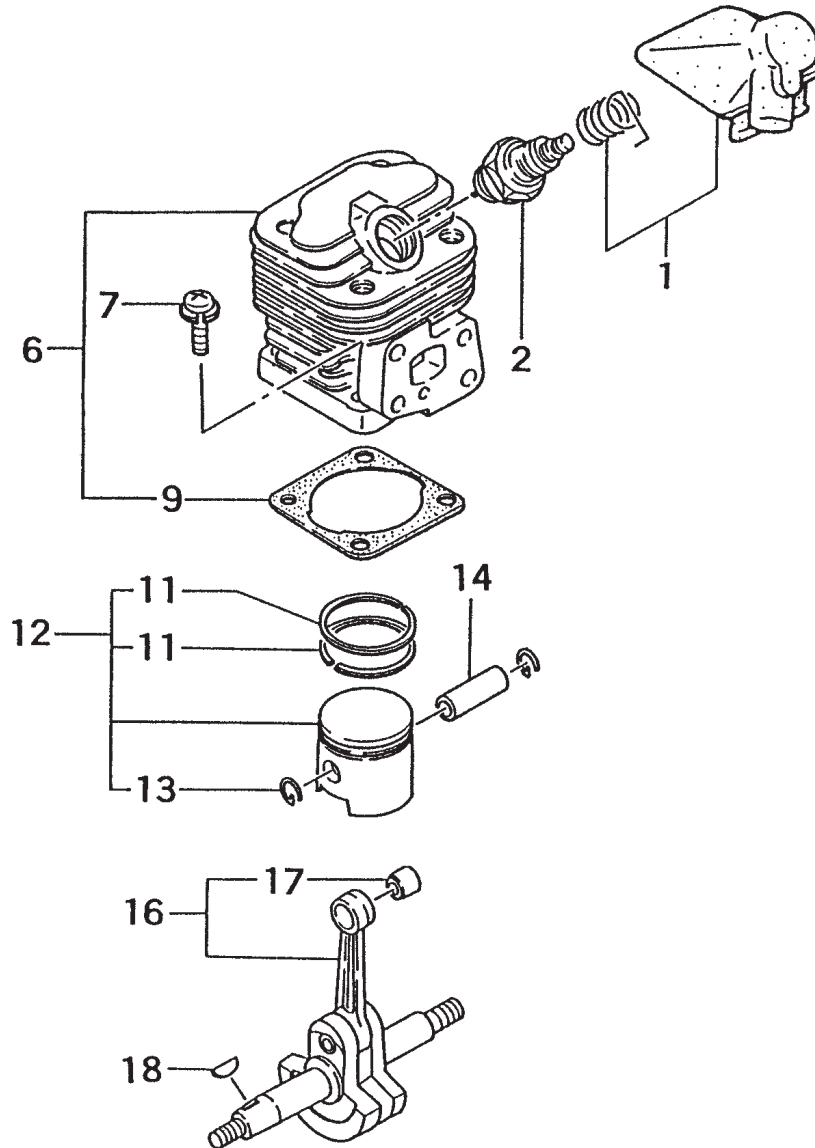
P/N 28583

Rev 004

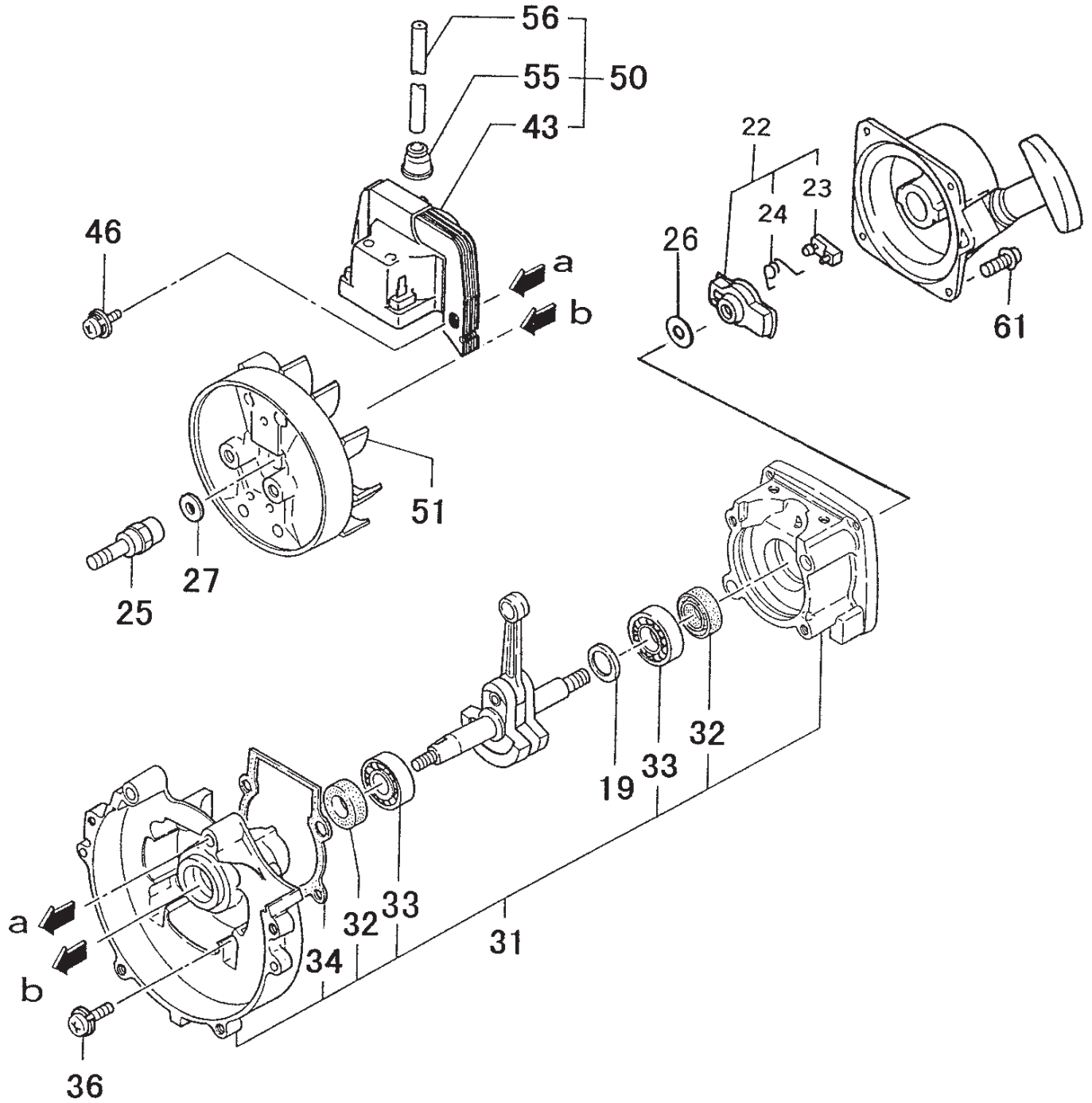
Date 10-17-07



Nikko Tanaka Engineering U.S.A.,Ltd. • 1028 4th Street SW, Bldg B • Auburn, WA 98001 • Phone: (253) 333-1200 • Fax: (253) 333-1212

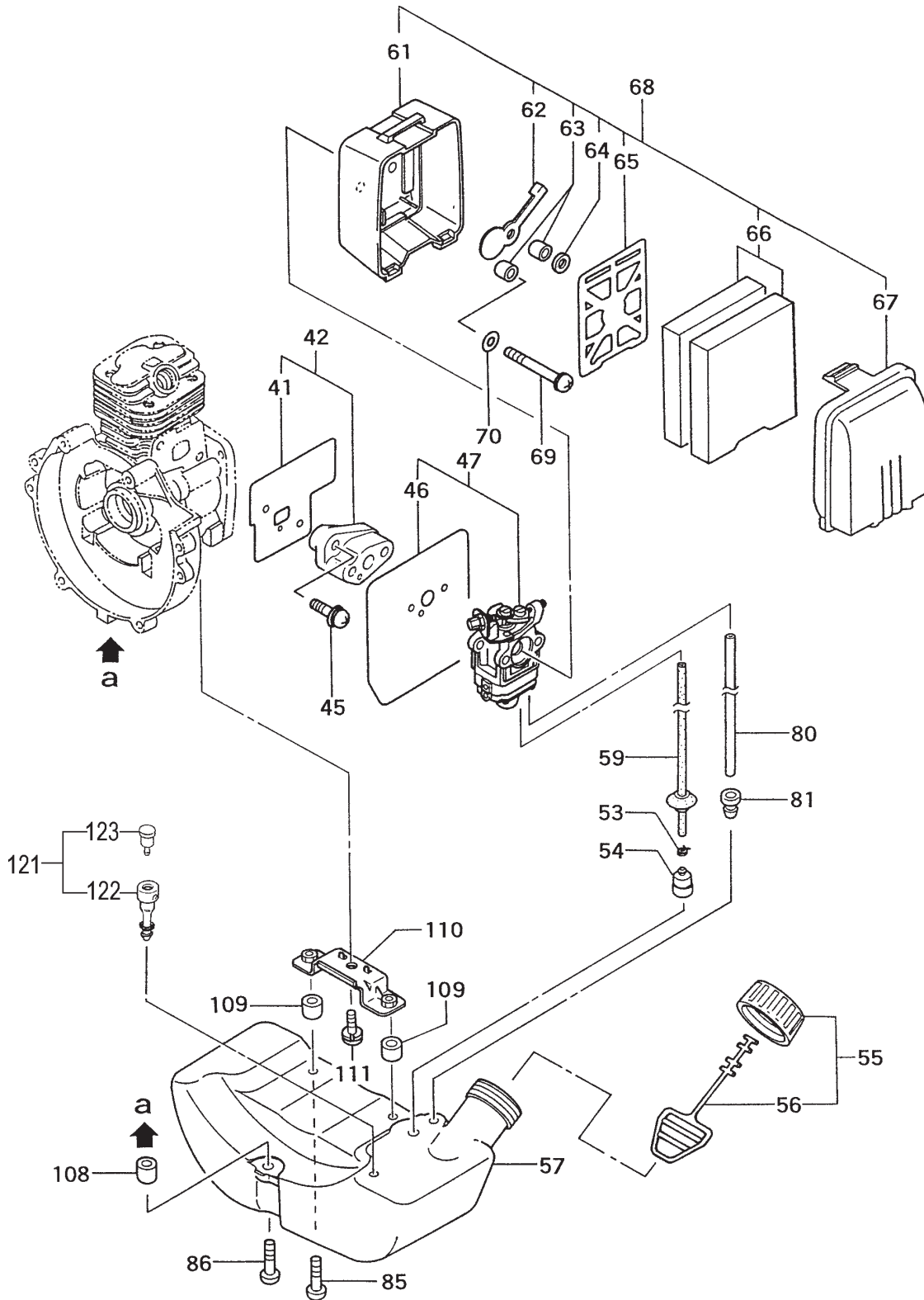


ITEM	PART NUMBER	DESCRIPTION	QTY	COMMENTS
1-1	1570637P91	CAP, SPARK PLUG ASSY	1	
1-2	0181161021	PLUG, SPARK	1	
1-6	0010099F90	SET, CYLINDER	1	Includes gasket
1-7	99461050184	BOLT, HEX, 5X18, S	4	
1-9	01700980200	GASKET, CYLINDER	1	
1-11	04101601200	RING, PISTON	2	
1-12	0300704590	PISTON SET	1	Includes rings and circlips
1-13	03901620200	CIRCLIP, PISTON PIN	2	
1-14	0370704520	PIN, PISTON	1	
1-16	0460631A81	CRANKSHAFT	1	
1-17	99962081225	BEARING, NEEDLE, F-810	1	
1-18	06810100200	KEY, WOODRUFF, 3X13X4.5	1	

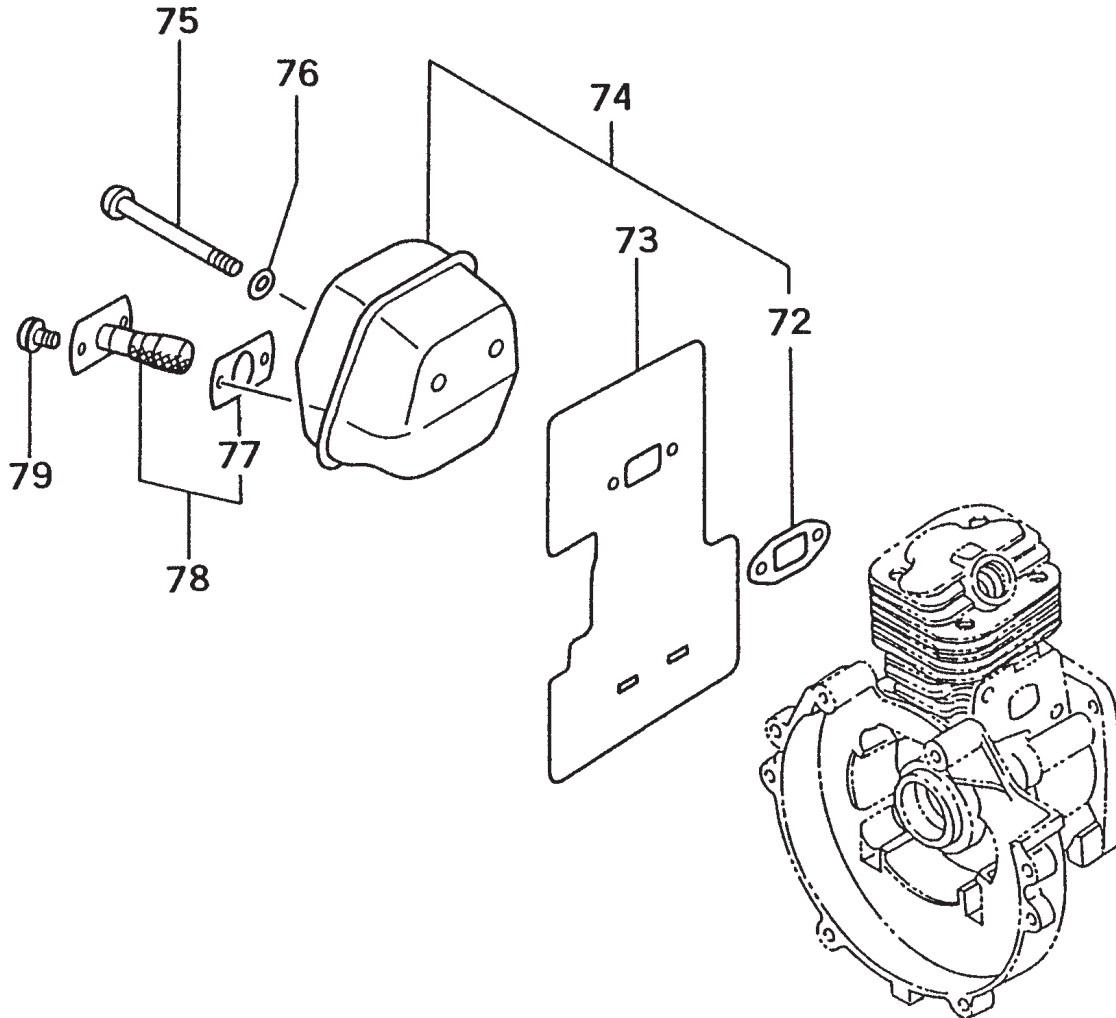


CRANKCASE, STARTER PAWL, IGNITION • FIGURE 2

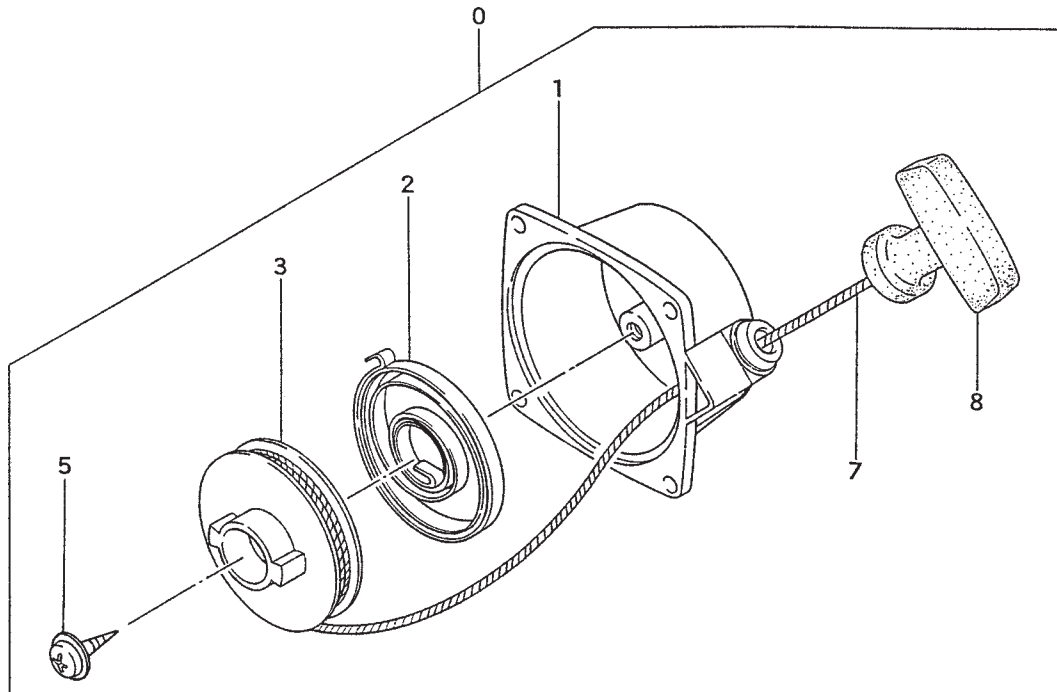
ITEM	PART NUMBER	DESCRIPTION	QTY	COMMENTS
2-19	33000200210	SHIM,12.2X19X.10	1	
2-19	33000200220	SHIM,12.2X19X.15	1	
2-19	33000200230	SHIM,12.2X19X.20	1	
2-19	33000200240	SHIM,12.2X19X.30	1	
2-22	7980652090	PAWL,STARTER ASSY	1	
2-23	7880652020	PAWL,STARTER	1	
2-24	79006097200	SPRING,STARTER PAWL	1	
2-25	0253185021	BOLT,SPECIAL	1	
2-26	35810112201	WASHER,CLUTCH	1	U210395~
2-27	99201070011	WASHER,7	1	
2-31	0720658090	CRANKCASE ASS'Y	1	Includes bearings, seals and gasket
2-32	99966122240	SEAL,OIL,#12227	2	
2-33	99961600115	BEARING,BALL,6001 C3	2	
2-34	09006097200	GASKET,CRANKCASE	1	
2-36	99461050254	BOLT,HEX HOLE,5X25S	4	
2-46	99416050201	SCREW,5X20/WS	2	
2-50	1672052190	COIL,IGNITION	1	
2-51	1552050880	ROTOR,MAGNETO	1	
2-55	56020517200	CAP,RUBBER	1	
2-56	26420516200	LEAD,HIGH TENSION	1	
2-61	99415040142	SCREW,4X14/PS	4	~B141850
2-61	99464040125	BOLT,HEX,4x12,WS	4	B141851~



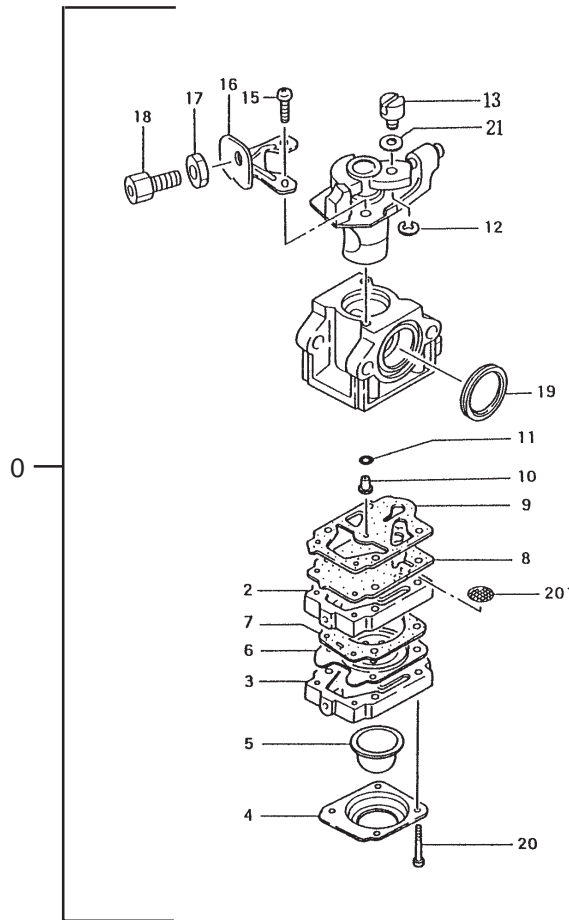
ITEM	PART NUMBER	DESCRIPTION	QTY	COMMENTS
3-41	4030659020	GASKET,INLET MANIFOLD	1	
3-42	4040658090	SET,CARB INSULATOR	1	Includes gasket
3-45	99416050241	SCREW 5x24WS	2	
3-46	4020659020	GASKET,CARBURETOR	1	Includes gasket
3-47	4550658090	SET,CARBURETOR	1	
3-53	68000731201	CLIP 6.3	1	
3-54	6750404280	FILTER,FUEL	1	
3-55	5950656B90	CAP,FUEL BLACK,NON VENT	1	
3-56	62632810200	CHAIN,TANK CAP	1	
3-57	5910659120	TANK,FUEL,ORANGE	1	Before S/N ~D000000
3-57	5910658F20	TANK,FUEL,EVAPO	1	After S/N D000001~
3-59	2230162V900	PIPE,FUEL,ASS'Y	1	
3-61	4230659120	BODY,AIR CLEANER	1	
3-62	4930659020	VALVE,CHOKE	1	
3-63	4700602K200	COLLAR	2	
3-64	4530602K200	COLLAR	1	
3-65	4760634C200	BOARD,BLOW OVER CHECK	1	
3-66	4460634C200	ELEMENT,CLEANER	2	
3-67	4240659020	CAP,AIR CLEANER	1	
3-68	4100659091	CLEANER,AIR ASSY	1	
3-69	99414050571	SCREW,5X57,S	2	
3-70	99200050011	WASHER,SMALL,5	2	
3-80	7000300508	PIPE,FUEL,3X5X85	1	
3-81	53432710200	GROMMET,FUEL PIPE	1	
3-85	99415040182	SCREW,PS,4X18	2	
3-86	99415050162	SCREW,5X16/PS	1	
3-108	65900801200	COLLAR	1	
3-109	6590641020	COLLAR	2	
3-110	6533185080	BRACKET,FUEL TANK	1	
3-111	99414060141	SCREW 6X14S	1	
3-121	5640661190	VENT,AIR ASS'Y	1	
3-122	5650441020	PIPE,AIR VENT	1	
3-123	6460661290	VALVE	1	



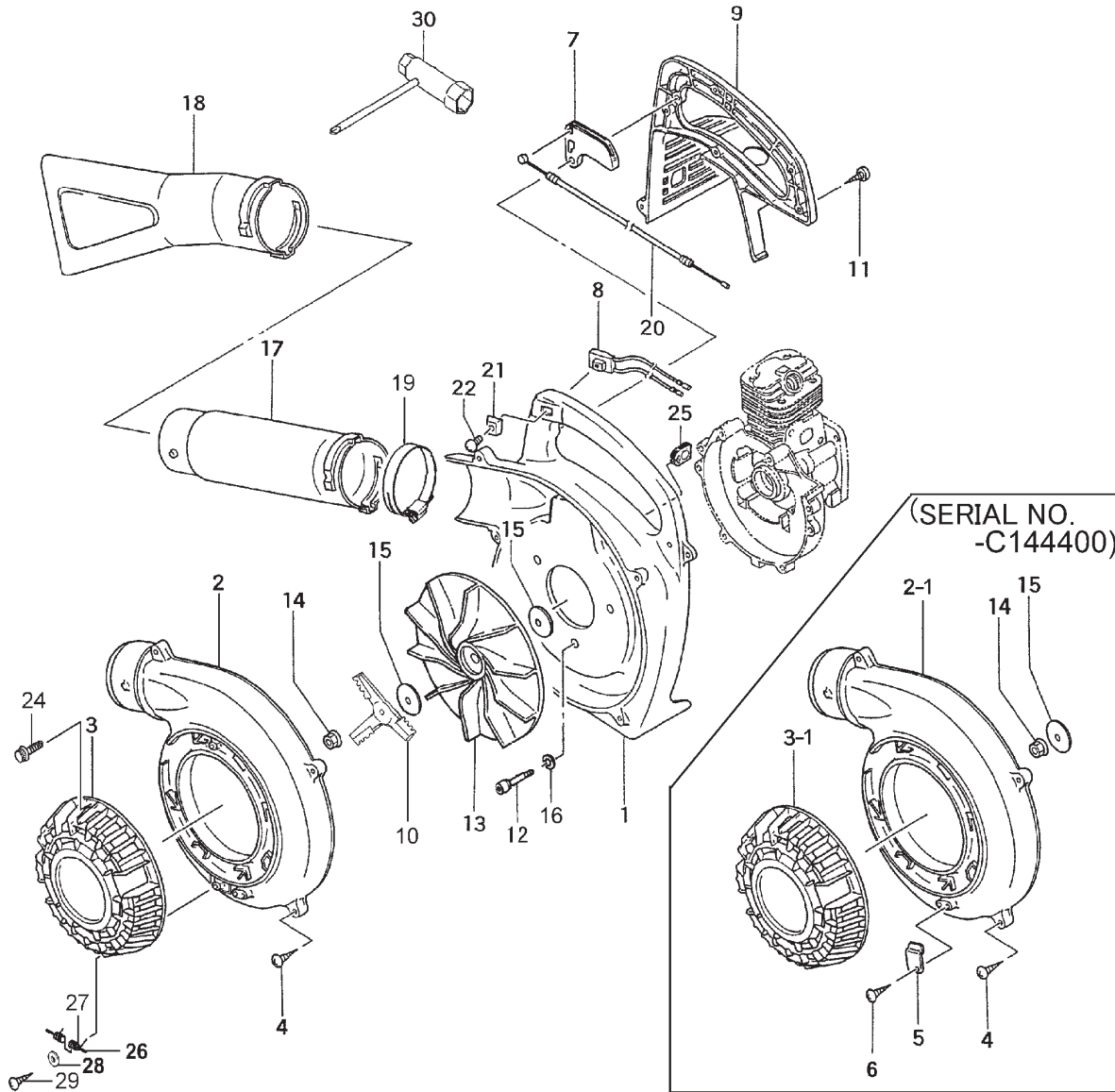
ITEM	PART NUMBER	DESCRIPTION	QTY	COMMENTS
4-72	7370700020	GASKET,MUFFLER	1	
4-73	1330658020	SHIELD,HEAT	1	
4-74	7040659090	MUFFLER	1	Includes gasket only - not heat shield
4-75	99051050703	BOLT,HEX HOLE 5x70	2	
4-76	87132600200	WASHER,SPECIAL,B	2	
4-77	75104200201	GASKET,MUFFLER	1	
4-78	7210659090	PIPE,TAIL	1	Includes spark screen
4-79	99434040081	SCREW,4X8/S	2	



ITEM	PART NUMBER	DESCRIPTION	QTY	COMMENTS
5-0	7620641090	STARTER,RECOIL ASS'Y	1	
5-1	7720609700	SET,STARTER BODY	1	
5-2	78006097200	SPRING,RECOIL	1	
5-3	77406097200	PULLEY,STARTER	1	
5-5	8390201020	SCREW,SET	1	
5-7	78306097200	ROPE,STARTER	1	
5-8	78506410200	HANDLE,STARTER	1	



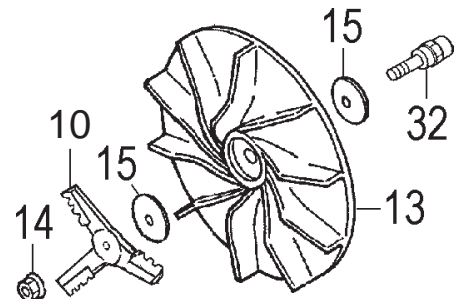
ITEM	PART NUMBER	DESCRIPTION	QTY	COMMENTS
6-0	4550658090	CARBURETOR SET	1	Includes gasket
6-2	5752515380	BODY,PUMP	1	
6-3	4422515180	PUMP,PRIMING	1	
6-4	4762515120	COVER,DIAPHRAGM	1	
6-5	44725108200	BULB,PRIMING	1	
6-6	~ ~ ~	DIAPHRAGM,METERING	1	~ Included in 650.25124-900 Carb Kit (items not sold separatley)
6-7	~ ~ ~	GASKET,DIAPHRAGM	1	
6-8	~ ~ ~	DIAPHRAGM,PUMP	1	
6-9	~ ~ ~	GASKET,PUMP	1	
6-10	5992000W38	JET,MAIN #38	1	
6-11	55025100200	O-RING	1	
6-12	48925100200	RING,STOP	1	
6-13	53925120200	SWIVEL	1	
6-15	51425100200	SCREW,THROTTLE SET	2	
6-16	54425164200	STAY,ADJUST,CABLE	1	
6-17	99101060013	NUT,6	1	
6-18	61425137200	ADJUSTER,CABLE	1	
6-19	4310634C200	GASKET,CLEANER	1	
6-20	5482515120	SCREW,SET	4	
6-21	5492516520	WASHER,THRUST	1	
6-201	57825007200	SCREEN,INLET	1	



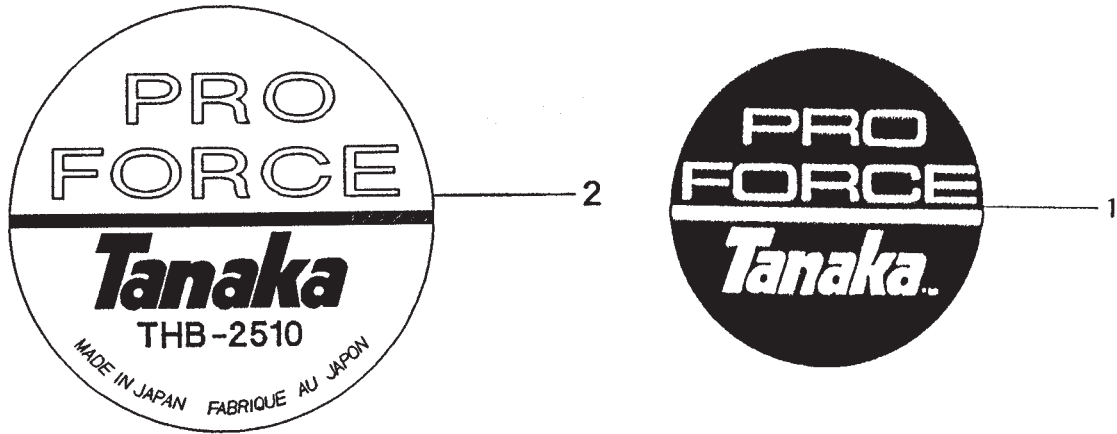
Adding the Optional Shredder Blade Kit

Units prior to S/N V260836 require 127.31850.00 Blade Kit
 Units after S/N V260836 require 128.3185A.20 Blade only (item #31)

Shredder Blade / Kit P/N 127.31850.00



ITEM	PART NUMBER	DESCRIPTION	QTY	COMMENTS
7-1	0103180081	CASE,FAN E	1	
7-2-1	0523185180	HOUSING,BLOWER	1	~C144400
7-2	0523185280	HOUSING,BLOWER	1	C144401~
7-3-1	0503180020	COVER,DUST	1	~C144400
7-3	0503185020	COVER,DUST	1	C144401~
7-4	99311052012	SCREW,TAPPING 5X20	5	
7-5	4223180020	PLATE,HOLDER	1	~C144400
7-6	99072050144	SCREW,TAPPING,5X14	1	~C144400
7-7	0133180020	LEVER,THROTTLE	1	
7-8	1703180080	SWITCH,STOP ASSY	1	
7-9	7383180021	PROTECTOR,MUFFLER	1	
7-10	1283185A20	BLADE,THB	1	C144101~
7-11	99311052012	SCREW,TAPPING 5X20	6	
7-12	99414050352	SCREW,5X35/S	4	~U090802
7-12	99051050353	BOLT,HEX.HOLE,5X35	4	U090803~
7-13	1273185000	KIT,FAN W-SHREDDER	1	
7-14	99101080011	NUT,8	1	
7-15	0273180020	WASHER	2	
7-16	99210050062	WASHER,S,5	4	
7-17	2693185120	PIPE,STRAIGHT	2	
7-18	2733185120	PIPE,FAN HEAD	1	
7-19	46605015801	BAND,CLEANER	1	V133841~
7-20	8850659080	WIRE,THROTTLE	1	
7-21	2581165020	BUTTON,STOP	1	
7-22	99011030101	SCREW,3X10	1	
7-24	3803185020	KNOB,THB COVER	1	C144401~
7-25	2030659020	GROMMET	1	
7-26	0533185020	PIN,COVER THB	1	C144401~
7-27	7903185020	SPRING,THB COVER	1	C144401~
7-28	99201050011	WASHER,5	1	C144401~
7-29	99311051501	SCREW,TAPPING,5x15	1	C144401~
7-30	8292000080	SPANNER,COMBI,13X19	1	
7-32	0253185021	BOLT,SPECIAL	1	



N3549
Manufactured by:
Tanaka Kogyo Co., Ltd.
Chiba, JAPAN

WARNING DANGER

Keep hands off from rotating fan. For vacuum, vacuum pipe and bag must be in place. For blower, dust cover must be securely installed.

IMPORTANT!!

Wash cleaner element in warm soapy water and squeeze, air dry. Then saturate the sponge in 2 cycle oil or the equivalent, squeeze the sponge to distribute the oil completely and to remove excess oil.

L_{WA}
104dB

69 dB(A)
Category II
Measured at 50ft(15m)
Per ANSI B175.2-1998

IMPORTANT!!

Wash cleaner element in warm soapy water and squeeze, air dry. Then saturate the sponge in 2 cycle oil or the equivalent, squeeze the sponge to distribute the oil completely and to remove excess oil.

ITEM	PART NUMBER	DESCRIPTION	QTY	COMMENTS
9-1	95037503200	DECAL,PRO-FORCE A	1	
9-2	9293185020	DECAL,SYMBOL	1	
9-4	9193185020	DECAL,CAUTION	1	
9-7	9083316021	DECAL,CAUTION	1	~A100200

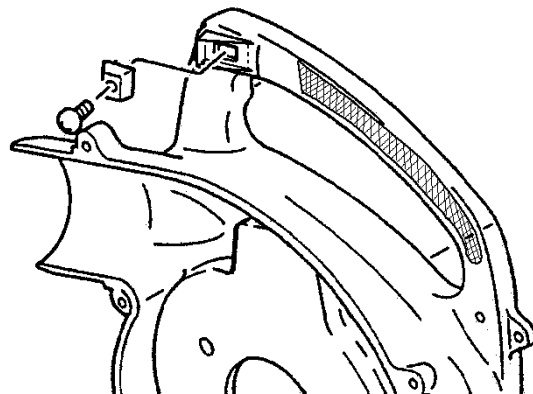
Date: December 2000

Model & Serial: **THB-2510**
All units after serial number **V120601**

Reason: These units now feature an additional protection rib to prevent breakage of the stop switch assembly, and also now have a textured grip surface for improved handling.

Part Number Changes:

Old Part #	New Part #	Description	Remarks
010-31800-81	N/A	Fan Case	No part number change
738-31800-21	N/A	Muffler Protector	No part number change



Date: December 2000

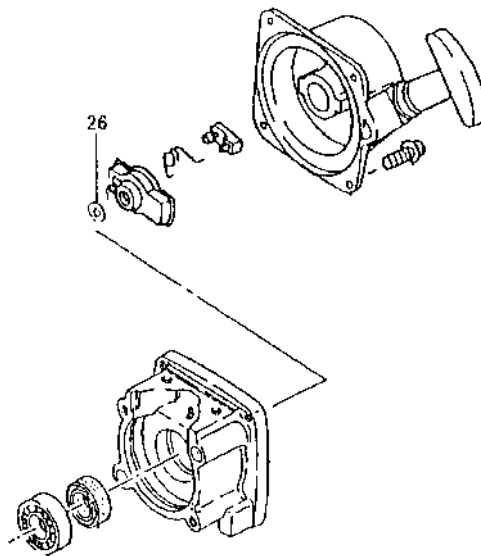
Model & Serial: **THB-2510**
 All units produced before serial number U192187

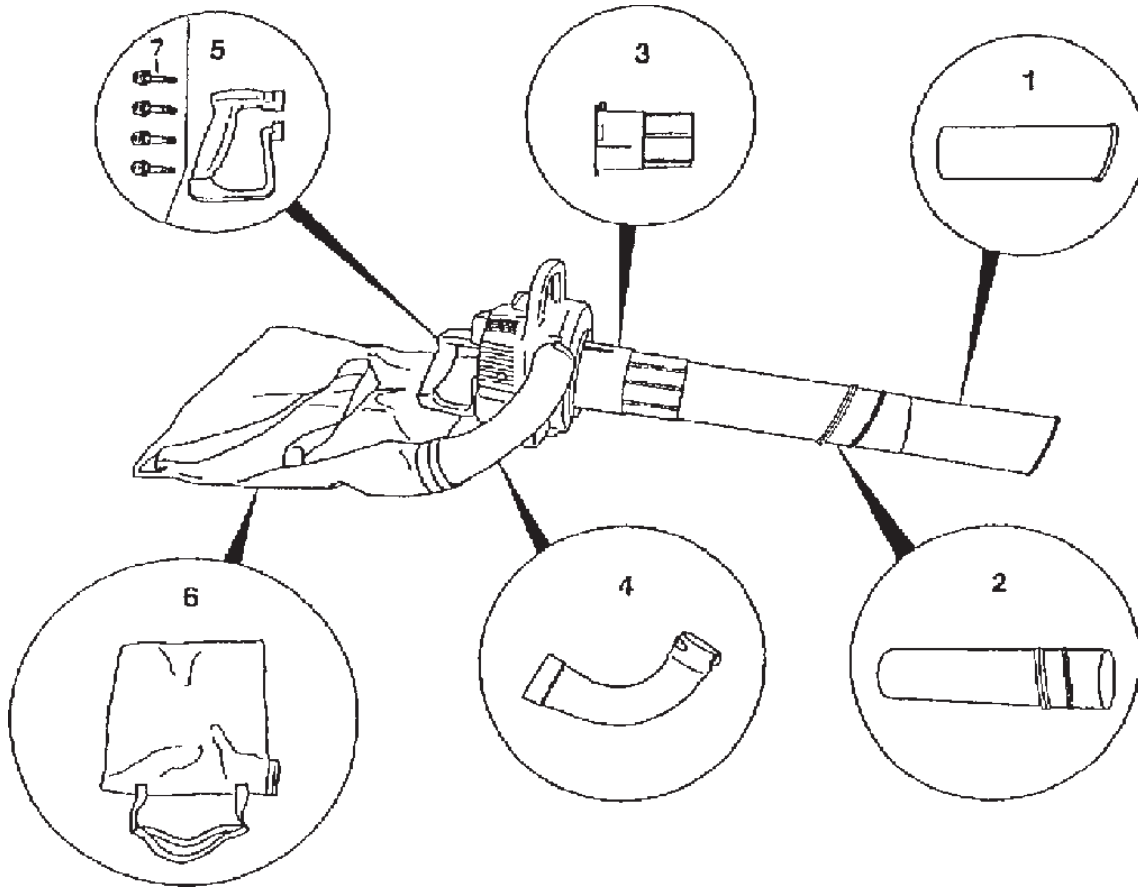
Reason: Units produced after the above serial number have a washer / spacer (see item #26) between the starter pawl cup and the crankshaft. This spacer ensures good engagement of the starter pawls and prevents premature wear.

When servicing a unit that has experienced a failure of any starter components, be sure to add the washer to take up this space.

Part Number Changes:

Old Part #	New Part #	Description	Remarks
359-10112-203		Washer	Reference #26





ITEM	PART NUMBER	DESCRIPTION	QTY	COMMENTS
1	310-31850-20	PIPE,SUCTION	1	
2	269-31850-20	PIPE,STRAIGHT	1	
3	279-31850-20	PIPE,VAC	1	
4	270-31850-20	PIPE,BENT	1	
5	424-31850-80	HANDLE	1	
6	315-31850-20	BAG,VAC	1	
7	994-15040-282	SCREW 4X28PS	4	