

***Tanaka***

---

**Parts Catalog**

**Hedge Trimmer**

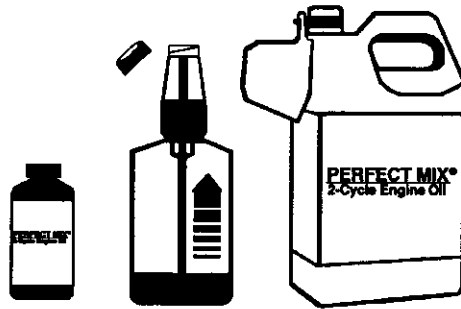
**Model: THT-262**

Part # 12368 09-10-96

# THT-262

## OPTIONS AND ACCESSORIES

### PERFECT MIX® 2-Cycle Engine Oil



- 700109 2.8 oz. Bottle, 1 Gallon Size (24\*)  
700108 16 oz. Self-measuring Bottle (24\*)  
700110 1 Gallon Jug Commercial Size (6\*)  
\* Case Quantity

---

### MANUALS & CATALOGS

24897	Owner's Manual
12368	Parts Catalog

---

### SPECIAL TOOLS

006-29326-000	Flywheel Remover-	001-29000-000	Tachometer
009-29323-500	Piston Pin Remove	070-2000W-500	Pressure Tester
037-29379-000	Clutch Remover	070-2000W-501	Carb. Tool Kit

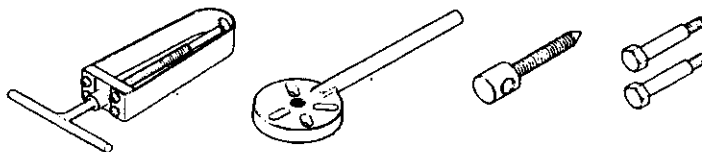




FIGURE 1

## THT-262 PARTS LISTING

REF.	PART NO.	PART DESCRIPTION	Q	C	S	SERIAL NO.	REMARKS
1	990-12060-151	SCREW,FH,6X15	2		D		
2	798-0639W-200	PULLEY,STARTER	1		D		
6	990-11050-161	SCREW,5X16	2		B		
7	992-10050-012	WASHER,S,5	4		A		
8	198-05015-800	CLAMP,CORD	1		C		
9	112-0162B-200	CASE,FAN	1		D		
16	991-01080-011	NUT,8	1		B		
17	992-10080-012	WASHER,S,8	1		B		
18	992-00080-011	WASHER,8	1		D		
19	155-21720-802	ROTOR,MAGNETO	1		D		
26	990-11050-301	SCREW,5X30	4		C		
27	992-10050-012	WASHER,S,5	4		A		
28	072-0162B-910	CRANKCASE,ASS'Y	1		D		Includes bearings, seals & gasket
29	090-00601-206	GASKET,CRANKCASE	1		B		
30	999-66152-511	SEAL,OIL,#VE15X25X7	2		A		
31	999-61600-200	BEARING,BALL,#6002	2		B		
32	071-02007-200	SHIM,15.2X20X.05	2		D		Shims are "as needed" to obtain correct c/s side clearance.
32	071-02007-210	SHIM,15.2X20X.10	2		D		
32	071-02007-220	SHIM,15.2X20X.15	2		D		
32	071-11600-230	SHIM,16X21X.20	2		D		
32	071-11600-240	SHIM,16X21X.30	2		D		
33	999-61629-000	BEARING,BALL,#629	1		C		
36	990-11040-081	SCREW,4X8	1		C		
37	992-10040-012	WASHER,S,4	1		B		
38	159-21401-872	IGNITOR,TTI-1F	1		A	~J197456	
39	173-0162R-800	WIRE,IGNITOR LEAD	1		C	~J197456	
40	990-11050-121	SCREW,5X12	1		A		
41	992-10050-012	WASHER,S,5	1		A		
42	904-0162B-800	STAY,WIRE ADJUSTER	1		D		
43	991-01060-013	NUT,6	1		B		
44	894-01401-201	RECEIVER,OUTER	1		B		
51	990-11040-181	SCREW,4X18	2		D		
52	992-10040-012	WASHER,S,4	2		B		
53	992-00040-011	WASHER,4	2		B		
54-1	167-21507-802	COIL,IGNITION	1		C	~J197456	
54	167-21951-800	COIL,IGNITION	1		C	J187457~	
55	165-01620-200	PLATE,COIL	1		D	~F188720	
55	165-0162V-200	PLATE,COIL HOLDING	1		D	F188721~	
56	992-10050-012	WASHER,S,5	2		A		

\* Indicates the part is included in a kit or assembly and is not available individually. Q=Quan. used C=Interchangeability S=Stocking code: A=Fast moving B=Med. fast C=Med. move D=Slow move E=N.L.A. F=Superceded or replaced by a new part

FIGURE 1 cont.

## THT-262 PARTS LISTING

REF.	PART NO.	PART DESCRIPTION	Q	C	S	SERIAL NO.	REMARKS
57	990-11050-161	SCREW,5X16	2		B		
58	178-0136M-800	CORD,STOP	1		D	J197457~	
61	157-11666-900	CAP,SPARK PLUG ASS'Y	1		C		
62	255-0630G-210	COVER,RUBBER,SPARK PLUG	1		D		
63	018-01805-200	PLUG,SPARK	1		B		
64	002-01601-800	CYLINDER	1		B		
65	990-11050-161	SCREW,5X16	4		B		
66	992-10050-012	WASHER,S,5	4		A		
67	017-01620-200	GASKET,CYLINDER	1		A		
68	041-01601-200	RING,PISTON	2		A		
70	039-00000-201	CIRCLIP,PISTON PIN	2		A		
71	031-01620-200	PISTON	1		A		
72	037-01700-200	PIN,PISTON	1		B		
76	046-0162B-800	CRANKSHAFT	1		C		
77	999-62091-338	BEARING,NEEDLE,KTV91313	1		C		
78	068-10100-200	KEY,WOODRUFF,3X13X4.5	1		C		

\* Indicates the part is included in a kit or assembly and is not available individually. Q=Quan. used C=Interchangeability S=Stocking code: A-Fast moving B=Med. fast C=Med. move D=Slow move E=N.L.A. F=Superseded or replaced by a new part

# FIG.2 ENGINE COMPONENTS

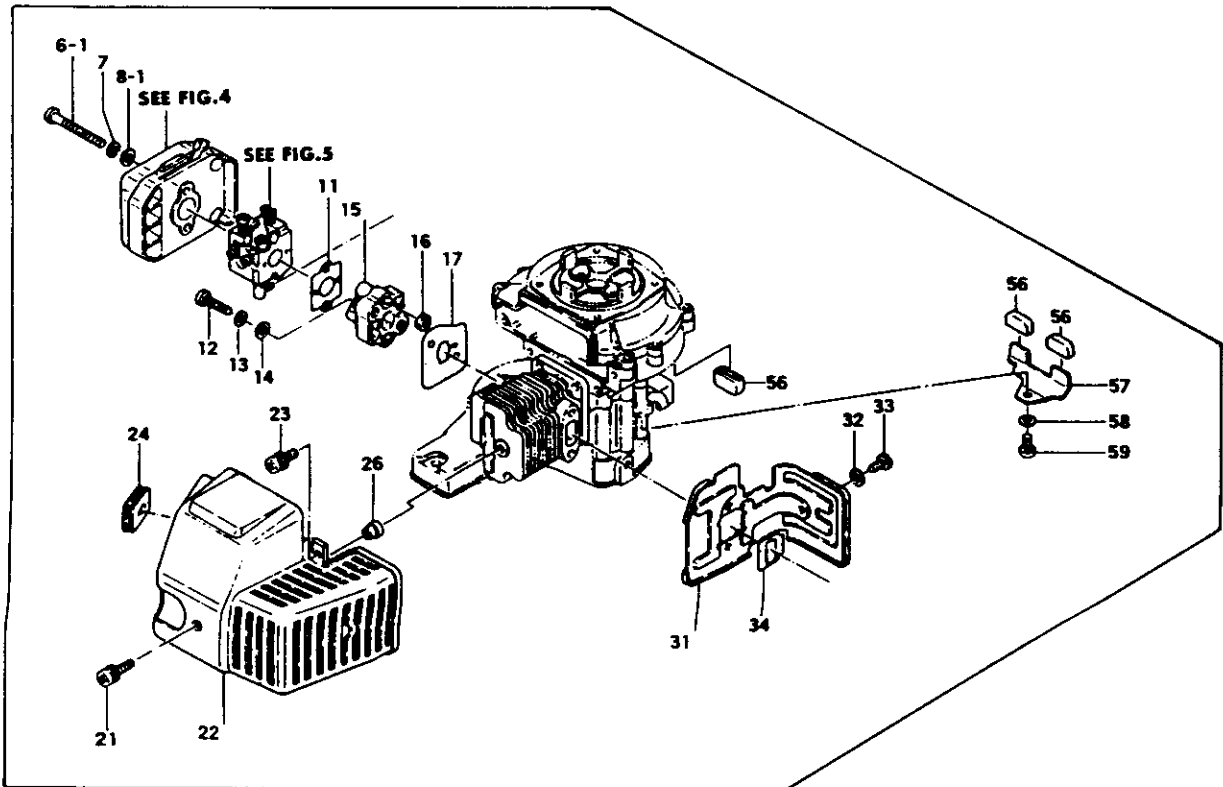
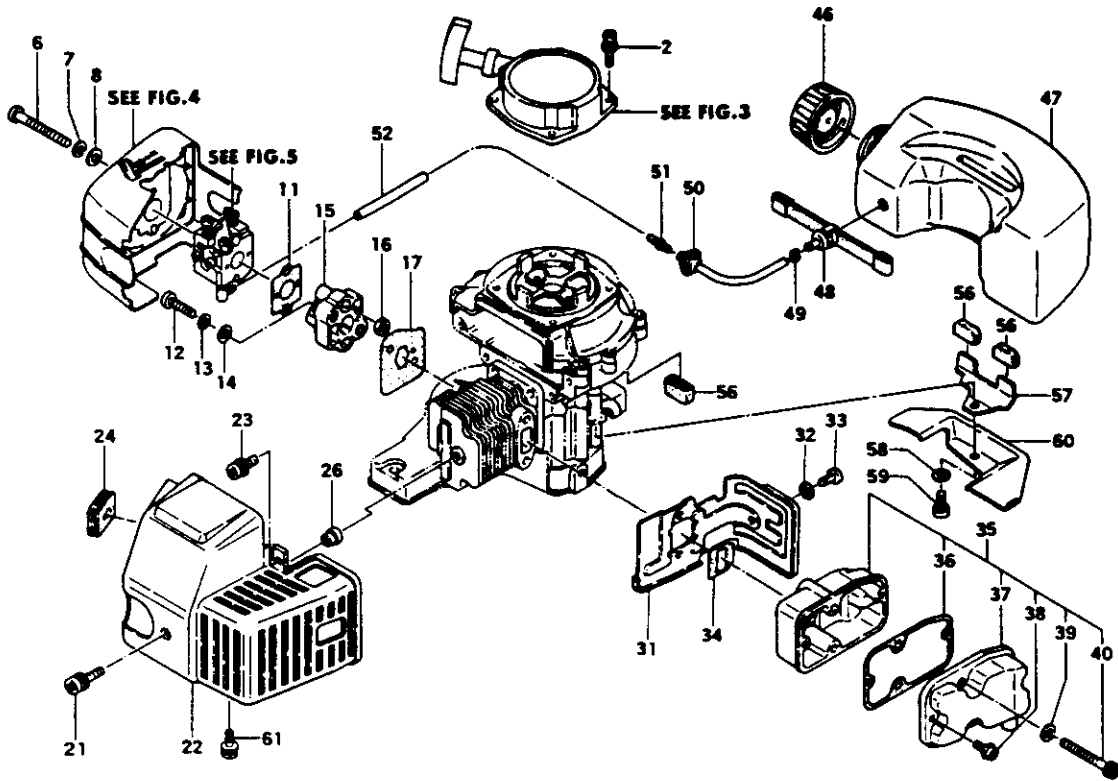


FIGURE 2

## THT-262 PARTS LISTING

REF.	PART NO.	PART DESCRIPTION	Q	C	S	SERIAL NO.	REMARKS
2	994-15040-142	SCREW,4X14/PS	4		C		
6-1	990-11050-601	SCREW,5X60	2		C	-G234070	
6	990-11050-651	SCREW,5X65	2		A	G234071~	
7	992-10050-012	WASHER,S,5	2		A		
8-1	992-00050-011	WASHER,SMALL,5	2		C	-G234070	
8	786-00601-200	WASHER,RECOIL STARTER	2		D	G234071~	
11	402-00601-20	GASKET,CARBURETOR	1		A		
12	990-11050-221	SCREW,5X22	2		B		
13	992-10050-012	WASHER,S,5	2		A		
14	992-00050-011	WASHER,SMALL,5	2		C		
15	404-01620-210	INSULATOR,CARBURETOR	1		B		
16	991-74050-010	NUT,LOCK 5	2		C	-K206200	
16	991-78050-010	NUT,LOCK 5	2		C	K206201~	
17	403-01620-200	GASKET,INLET MANIFOLD	1		A		
21	994-15050-182	SCREW,5X18/PS	1		C		
22	738-01620-203	PROTECTOR,MUFFLER	1		C		
23	994-15050-122	SCREW,5X12/PS	3		C		
24	203-0630B-201	GROMMET,CORD,PRIMARY	1		D		
26	011-0630B-200	COLLAR	1		D		
31	133-01620-220	SHIELD,HEAT	1		C		
32	992-01050-011	WASHER,5	1		A		
33	990-11050-101	SCREW,5X10	1		B		
34	737-01620-200	GASKET,MUFFLER	1		B		
35	705-01620-910	MUFFLER,ASSY	1		C		
36	739-01620-210	GASKET,MUFFLER COUPLING	1		D		
37	717-01620-810	BODY,MUFFLER,B	1		D		
38	994-13040-122	SCREW,4X12/P	2		D		
39	992-01050-061	WASHER,5	2		D		
40	990-51050-453	BOLT,HEX,5X45	2		C		
46	595-0650A-90	CAP,TANK	1		A		
47	591-0162V-200	TANK	1		C		
48	675-0608A-900	FILTER,FUEL	1		A		
49	680-00731-201	CLIP	1		B		
50	223-0162B-900	PIPE,FUEL	1		C		
51	497-32350-200	JOINT,PIPE	1		C		
52	700-03005-050	PIPE,FUEL,3X5X50	1		D		
56	655-06100-200	CUSHION,TANK	4		A		
57	641-0162B-200	METAL,TANK HOLDING	1		C		
58	992-10050-012	WASHER,S,5	1		A		

\* Indicates the part is included in a kit or assembly and is not available individually. Q=Quantity used C=Interchangeability S=Stocking code: A=Fast moving B=Med. fast C=Med. move D=Slow move E=N.L.A. F=Superseded or replaced by a new part

FIGURE 2 cont.

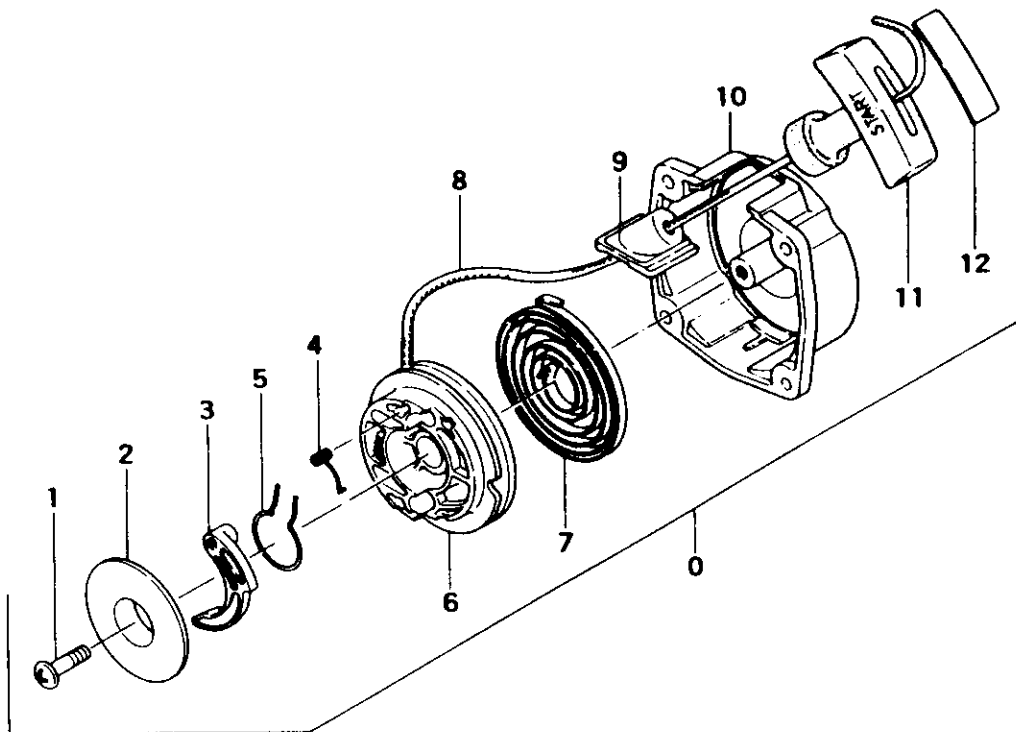
**THT-262 PARTS LISTING**

REF.	PART NO.	PART DESCRIPTION	Q	C	S	SERIAL NO.	REMARKS
59	990-11050-101	SCREW,5X10	1		B		
60	091-0162A-200	PLATE,PARTITION	1		D		
61	994-15050-162	SCREW,5X16/PS	1		C		

\* Indicates the part is included in a kit or assembly and is not available individually. Q=Quan. used C=Interchangeability S=Stocking code: A-Fast moving B=Med. fast C=Med. move D=Slow move E=N.L.A. F=Superseded or replaced by a new part



## FIG.3 RECOIL STARTER



**FIGURE 3**

### THT-262 PARTS LISTING

REF.	PART NO.	PART DESCRIPTION	Q	C	S	SERIAL NO	REMARKS
00	762-0162B-901	STARTER,RECOIL ASS'Y	1		C		
01	990-15050-121	SCREW,5X12	1		F		
02	837-06092-200	PLATE,FRICITION	1		D		
03	788-06092-200	PAWL,STARTER	1		D		
04	832-06092-200	SPRING,RETURN	1		D		
05	836-06092-200	SPRING,FRICITION	1		D		
06	769-01250-200	PULLEY,STARTER	1		C		
07	779-01250-200	SPRING,RECOIL	1		B		
08	783-0162V-200	ROPE,STARTER,3.5X890	1		D		
09	780-0162B-200	GUIDE,ROPE	1		D		
10	772-06150-200	BODY,RECOIL STARTER	1		D		
11	785-01620-200	HANDLE,STARTER	1		C		
12	795-01620-200	SEAL,HANDLE KNOB	1		D		

**FIG.4 AIR CLEANER**

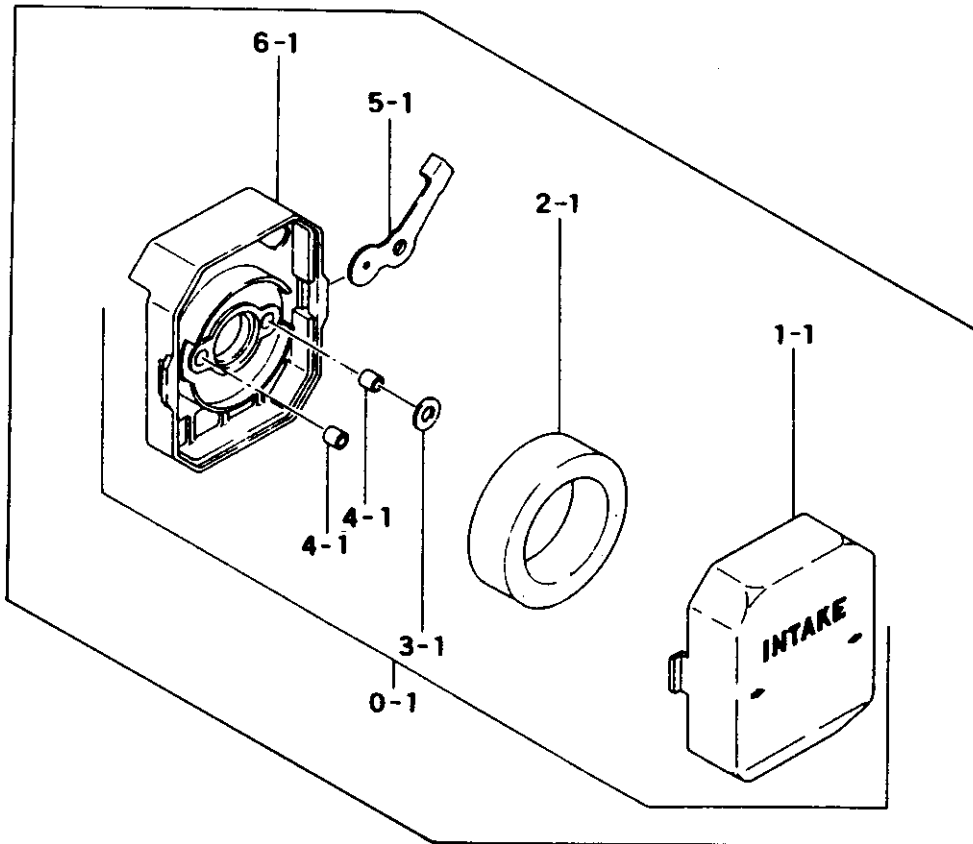
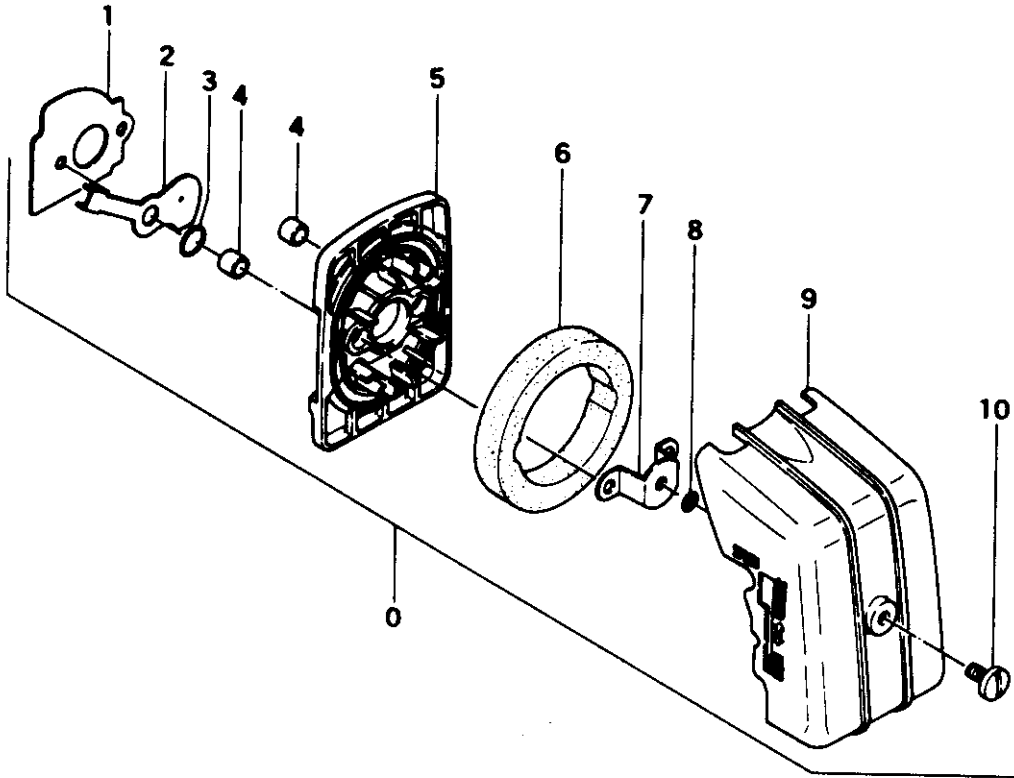


FIGURE 4

THT-262 PARTS LISTING

REF.	PART NO.	PART DESCRIPTION	Q	C	S	SERIAL NO.	REMARKS
0-1	410-0602D-901	CLEANER,AIR ASS'Y	1		A	~G234070	
0	410-0162B-900	CLEANER,AIR ASS'Y	1		D	G234071~	
1-1	424-0602K-201	CAP,CLEANER	1		A		
2-1	446-0602K-200	ELEMENT,CLEANER	1		A		
3-1	453-0602K-200	COLLAR	1		C		
4-1	470-0602K-200	COLLAR	2		D		
5-1	528-0602D-200	PLATE,CHOKE,2MM	1		D		
6-1	423-0602K-210	BODY,CLEANER	1		C		
1	436-0162V-20	BASE,CLEANER	1		C		
2	528-0162V-200	VALVE,CHOKE	1		D		
3	999-67008-012	O-RING,S-8	1		C		
4	470-0602N-200	COLLAR,CLEANER	2		C		
5	423-0162B-201	BODY,AIR CLEANER	1		D		
6	446-0162V-200	ELEMENT,CLEANER	1		A		
7	476-04060-200	BOARD,BLOW OVER CHECK	1		D		
8	999-67004-000	O-RING,P4	1		C		
9	424-0162V-201	CAP,CLEANER	1		C		
0	170-32161-201	BOLT,CLEANER	1		C		

\* Indicates the part is included in a kit or assembly and is not available individually. Q=Quan. used C=Interchangeability S=Stocking code: A-Fast moving B=Med. fast C=Med. move D=Slow move E=N.L.A. F=Superseded or replaced by a new part

**FIG.5 CARBURETOR**

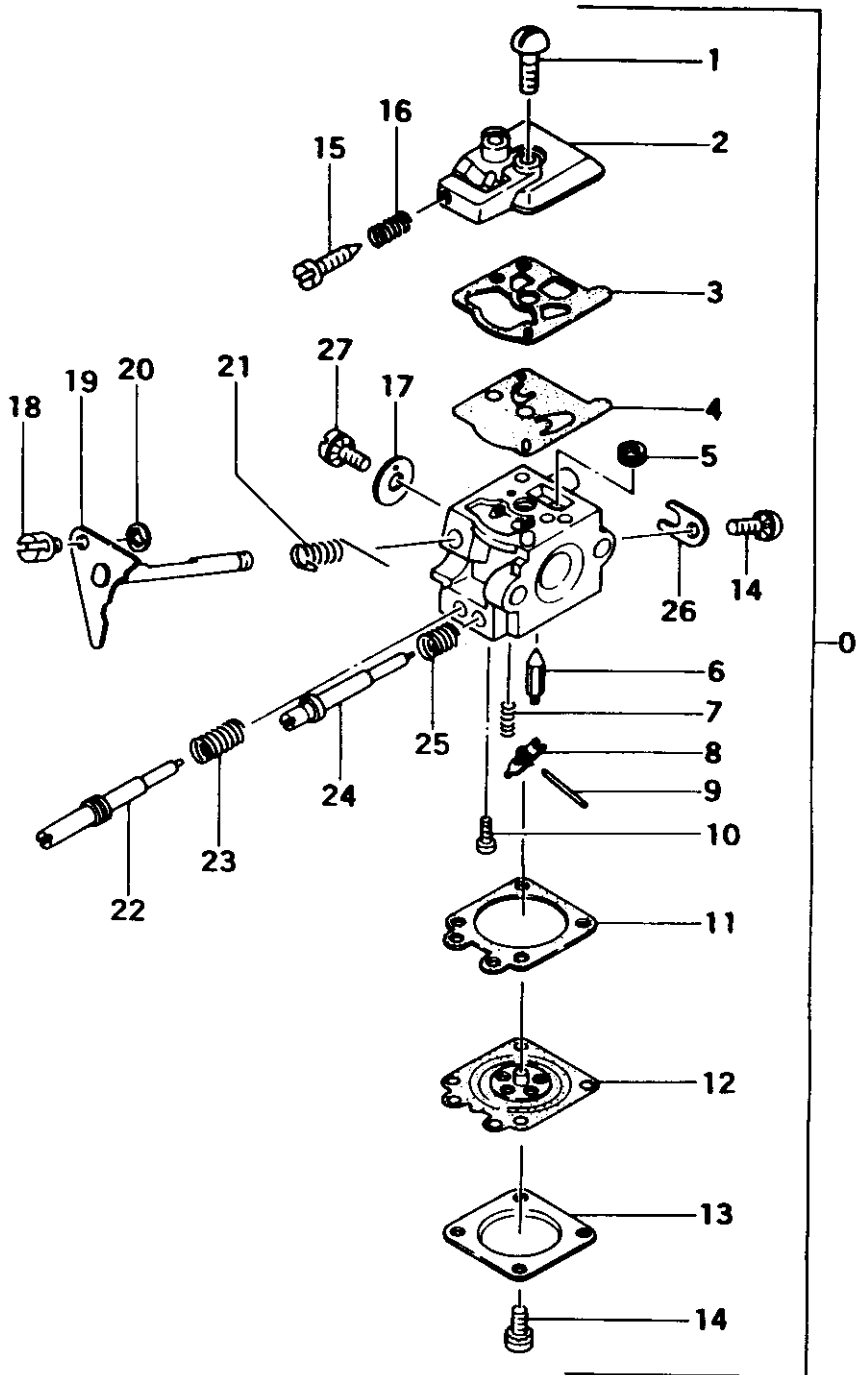


FIGURE 5

## THT-262 PARTS LISTING

REF.	PART NO.	PART DESCRIPTION	Q	C	S	SERIAL NO.	REMARKS
0	455-25023-900	CARBURETOR,ASS'Y	1		B		
1	514-25001-200	SCREW,SET	1		D		
2	575-25028-200	BODY,PUMP	1		D		
3	----	*GASKET,PUMP	1		D		
4	----	*DIAPHRAGM,PUMP	1		C		
5	----	*SCREEN,INLET	1		C		
6	----	*VALVE,NEEDLE	1		C		
7	477-25007-200	SPRING,VALVE	1		D		* Contained in Carb. Repair Kit 650-25001-910 (Not available individually)
8	----	*HINGE,VALVE	1		C		
9	----	*PIN,FLOAT	1		D		
10	546-25001-200	SCREW,SET,HINGE PIN	1		D		
11	----	*GASKET,DIAPHRAGM	1		A		
12	----	*DIAPHRAGM,METERING	1		A		
13	476-25004-200	COVER,DIAPHRAGM	1		D		
14	548-25012-200	SCREW,SET	5		D		
15	462-25006-200	SCREW,IDLE ADJUST	1		D		
16	463-25006-200	SPRING,IDLE ADJUST	1		D		
17	488-25008-200	VALVE,THROTTLE	1		D		
18	539-25008-200	SWIVEL	1		C		
19	464-25010-800	SHAFT,THROTTLE	1		D		
20	489-25008-200	RING,STOP	1		C		
21	486-25009-200	SPRING,THROTTLE	1		C		
22	461-25023-200	SCREW,LOW ADJUST	1		D		
23	623-25001-200	SPRING,ADJUST,LOW	1		D		
24	460-25023-200	SCREW,HIGH ADJUST	1		D		
25	485-25003-200	SPRING,ADJUST,HIGH	1		D		
26	557-25006-200	CLIP,THROTTLE SHAFT	1		D		
27	467-25003-200	SCREW,SHUTTER	1		C		

\* Indicates the part is included in a kit or assembly and is not available individually. Q=Quan. used C=Interchangeability S=Stocking code: A-Fast moving B=Med. fast C=Med. move D=Slow move E=N.L.A. F=Superseded or replaced by a new part

**FIG. 6 HANDLE & CUTTER**

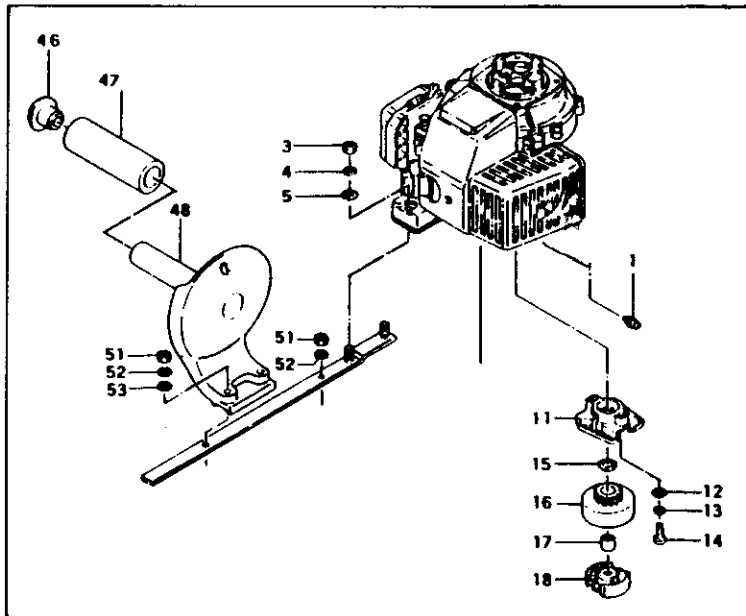
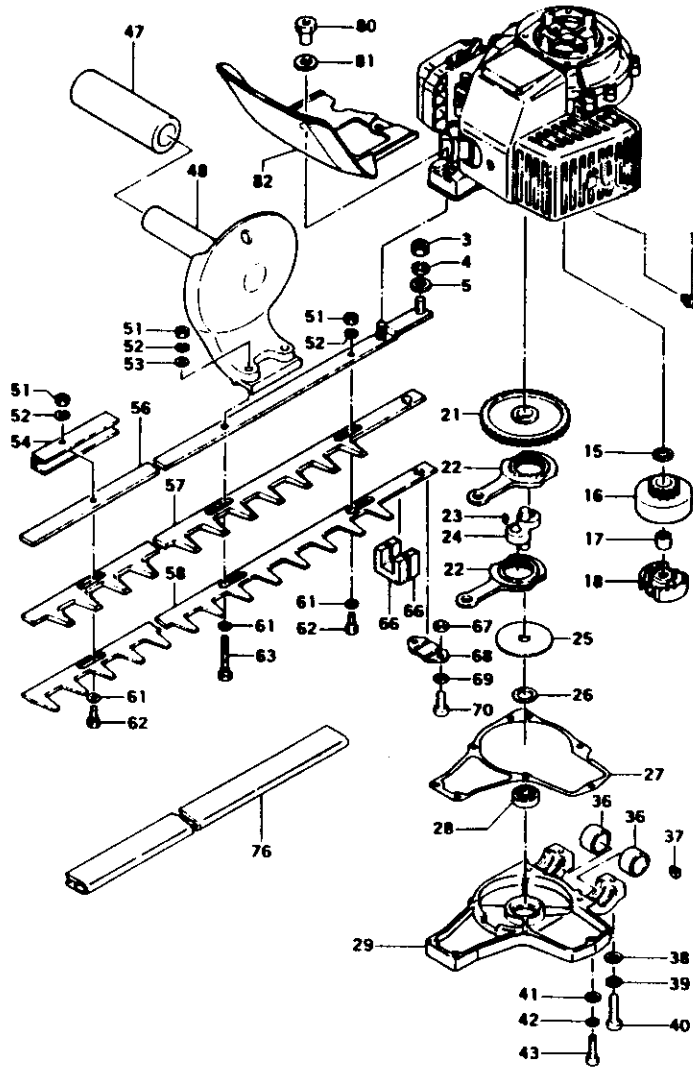


FIGURE 6

## THT-262 PARTS LISTING

REF.	PART NO.	PART DESCRIPTION	Q	C	S	SERIAL NO.	REMARKS
1	200-33210-210	NIPPLE,GREASE	1		D		
3	991-01060-011	NUT,6	2		A		
4	992-10060-012	WASHER,S,6	2		A		
5	992-01060-011	WASHER,6	2		A		
11	086-37900-200	SEAL,GREASE B	1		D	F145802~	
12	992-01040-011	WASHER,4	2		C		
13	992-10040-012	WASHER,S,4	2		B		
14	990-11040-121	SCREW,4X12	2		B		
15	801-10205-202	WASHER,PULLEY	1		C		
16	288-0162B-81	HOUSING,CLUTCH	1		B		Ref. PI-3048
17	999-62101-004	BEARING,NEEDLE,F1010B	1		B		
18	277-37900-900	CLUTCH,ASSY	1		C		
21	307-37900-21	GEAR,II	1		C		Ref. PI-3048
22	101-37900-800	ROD,CAM	2		B		
23	068-00300-200	KEY,WOODRUFF,3X10X3.7	1		B		
24	100-33210-203	BOSS,CAM	1		C		
25	158-37900-200	WASHER,SPECIAL	1		C		
26	016-35100-201	SHIM,9.3X18X.20	1		C		
27	303-33210-202	GASKET,GEARCASE	1		B		
28	999-61629-000	BEARING,BALL,#629	1		C		
29	301-33210-203	CASE,GEAR B	1		D		
36	060-33210-200	CUSHION,HANDLE	2		C		
37	176-0062W-201	TERMINAL,GROUNDING	1		C		
38	992-00050-011	WASHER,SMALL,5	4		C		
39	992-10050-012	WASHER,S,5	4		A		
40	990-11050-221	SCREW,5X22	4		B		
41	992-00040-011	WASHER,4	5		B		
42	992-10040-012	WASHER,S,4	5		B		
43	990-11040-201	SCREW,4X20	5		C		
43	990-11040-221	SCREW,4X22	5		B		
46	212-33250-200	GROMMET	1		D		
47	503-37500-200	GRIP,HANDLE	1		C		
48	051-33210-82	HANDLE,B	1		C		
51	123-33202-200	NUT,CUTTER FIXING	5		A		
52	992-10060-012	WASHER,S,6	5		A		
53	992-01060-011	WASHER,6	1		A		
54	128-33202-200	HOLDER,BLADE	1		C		
56	122-37900-200	GUIDE,CUTTER	1		C		

\* Indicates the part is included in a kit or assembly and is not available individually. Q=Quan. used C=Interchangeability S=Stocking code: A=Fast moving B=Med. fast C=Med. move D=Slow move E=N.L.A. F=Superseded or replaced by a new part

FIGURE 6 cont.

THT-262 PARTS LISTING

REF.	PART NO.	PART DESCRIPTION	Q	C	S	SERIAL NO.	REMARKS
57	CB--23B	BLADE,CUTTER-TOP	1		A		Ref. PI-3048
58	CB--23A	BLADE,CUTTER-BOTTOM	1		A		Ref. PI-3048
61	129-33202-201	WASHER,7	5		A		
62	124-33202-206	BOLT,BLADE,A	4		A		
63	125-33202-205	BOLT,CUTTER FIXING B	1		B		
66	085-33202-200	SEAL,A,GREASE	2		C		
67	071-33202-200	SPACER,FIXING PLATE	2		C		
68	070-37900-201	PLATE,FIXING	1		D		
69	992-10050-012	WASHER,S,5	2		A		
70	990-11050-121	SCREW,5X12	2		A		
76	138-33215-202	COVER,CUTTER,30"	1		C		
80	381-37900-200	NUT,SPECIAL	1		D		
81	992-00100-011	WASHER,10	1		D		
82	052-37900-200	PROTECTOR,HANDLE	1		C		

\* Indicates the part is included in a kit or assembly and is not available individually. Q=Quan. used C=Interchangeability S=Stocking code: A-Fast moving B=Med. fast C=Med. move D=Slow move E=N.L.A. F=Superceded or replaced by a new part



**FIG.7 HANDLE & STOP SWITCH**

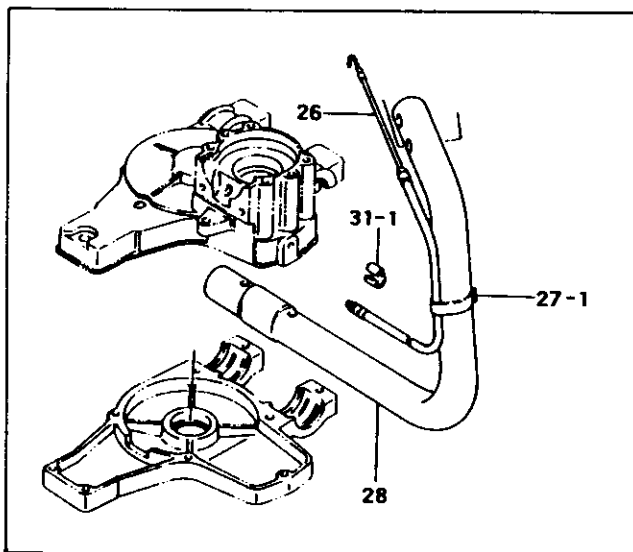
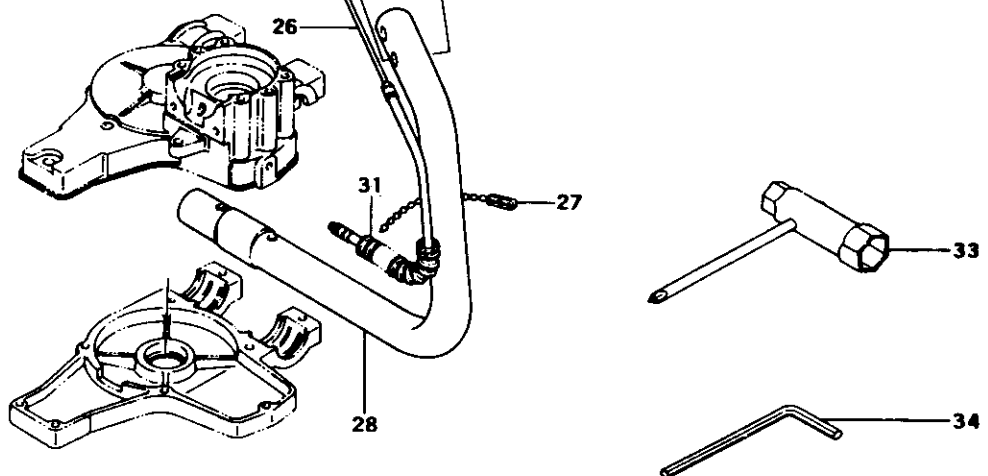
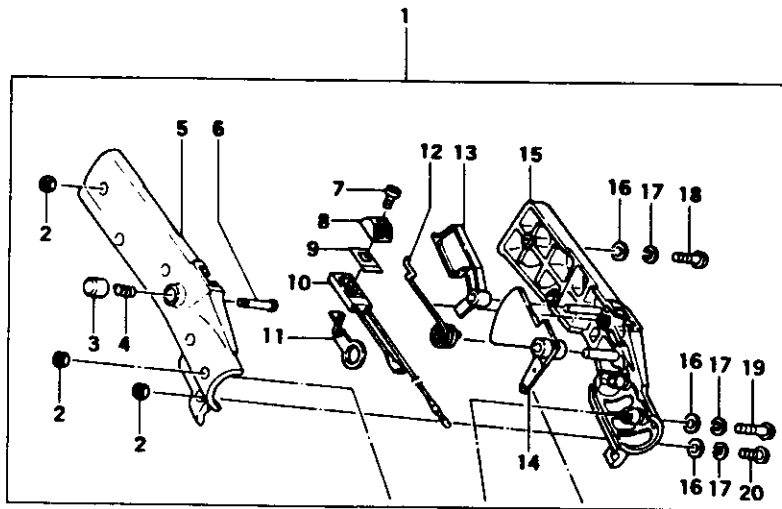


FIGURE 7

## THT-262 PARTS LISTING

REF.	PART NO.	PART DESCRIPTION	Q	C	S	SERIAL NO.	REMARKS
1	055-37900-900	GRIP,HANDLE ASS'Y	1		D		
2	991-78040-010	NUT,LOCK 4	3		C		
3	725-32600-202	CAP,PUSH PIN	1		C		
4	066-32300-201	SPRING,STOPPER	1		D		
5	053-33222-220	GRIP,HANDLE A	1		D		
6	064-32530-200	PIN,PUSH	1		C		
7	990-11030-101	SCREW,3X10	1		B		
8	258-11650-20	BUTTON,STOP	1		C		
9	925-32530-200	DECAL,STOP BUTTON	1		C		
10	170-0162B-800	BUTTON,STOP	1		C		
11	319-37900-200	TERMINAL,EARTH	1		D		
12	061-32600-201	SPRING,THROTTLE LEVER	1		D		
13	231-33210-200	LEVER,SAFETY	1		D		
14	230-33210-201	LEVER,THROTTLE	1		D		
15	054-33222-221	GRIP,HANDLE B	1		D		
16	992-00040-011	WASHER,4	3		B		
17	992-10040-012	WASHER,S,4	3		B		
18	990-11040-251	SCREW,4X25	1		C		
19	990-11040-301	SCREW,4X30	2		D		
20	990-11040-141	SCREW,4X14	3		B		
26	885-37900-80	WIRE,THROTTLE	1		C		
27-1	903-00207-201	STAY,THROTTLE WIRE	1		D	~H173340	
27	460-33111-900	CLAMP	1		B	H173341~	
28	050-33222-202	HANDLE,BLACK	1		D		
31-1	778-36100-200	CLAMP,CORD	1		D	~F145801	
31	164-10030-00	TUBE,PROTECTION	1		D	F145802~	
33	036-29331-501	SPANNER,COMBI	1		D		
34	813-20000-200	WRENCH,HEX,4	1		D		

\* Indicates the part is included in a kit or assembly and is not available individually. Q=Quan. used C=Interchangeability S=Stocking code: A=Fast moving B=Med. fast C=Med. move D=Slow move E=N.L.A. F=Superseded or replaced by a new part

# FIG.8 MARKS

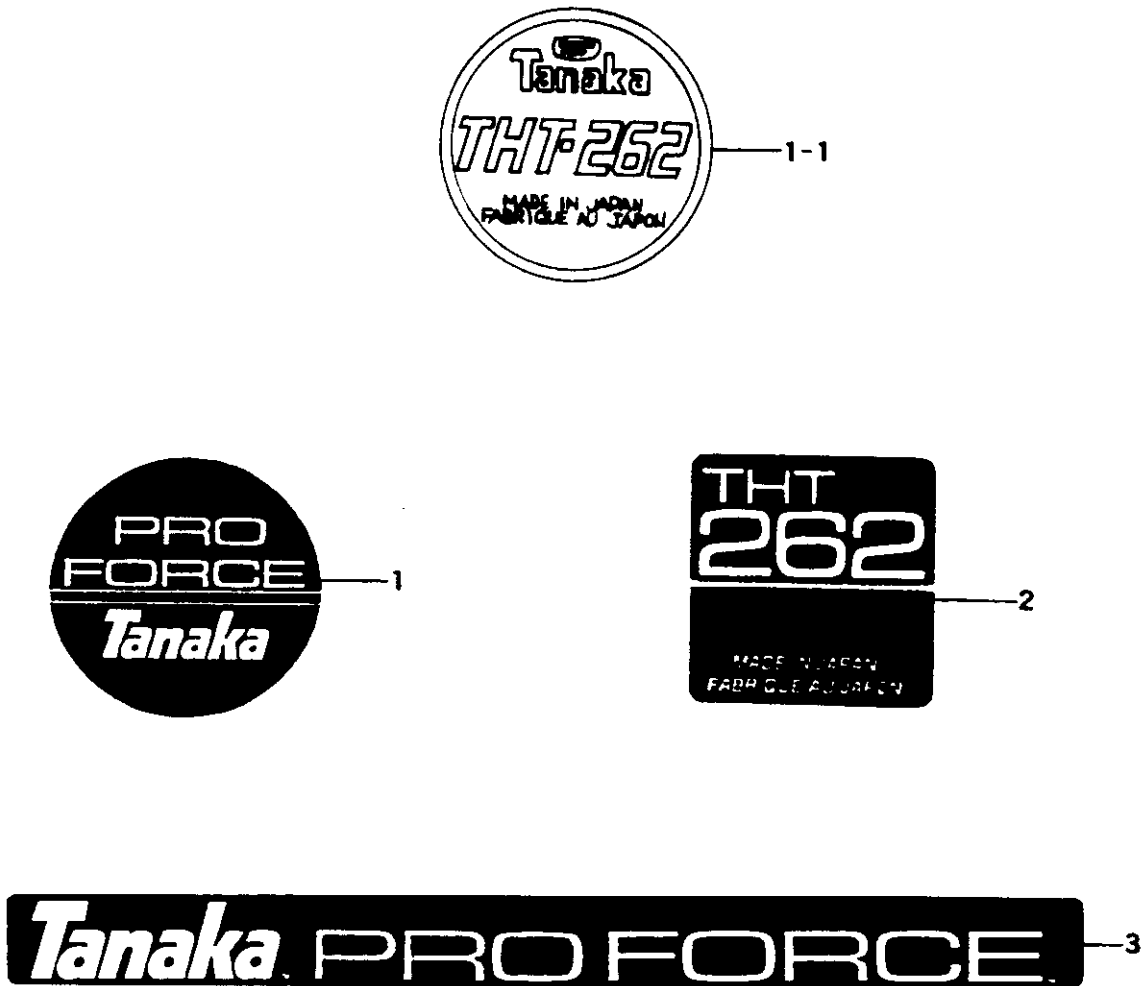


FIGURE 8

## THT-262 PARTS LISTING

REF.	PART NO.	PART DESCRIPTION	Q	C	S	SERIAL NO	REMARKS
1-1	906-0162B-201	DECAL,THT-262	1		D		
1	950-37900-200	DECAL,PRO-FORCE A	1		C	N259081~	
2	906-32124-200	DECAL,TED-232	1		D		
3	951-37900-200	DECAL,PRO-FORCE	1		D	N259081~	