

# **Tanaka** Illustrated Parts Manual

Model Number:

**TIA-350S**

**ONE MAN EARTH AUGER**

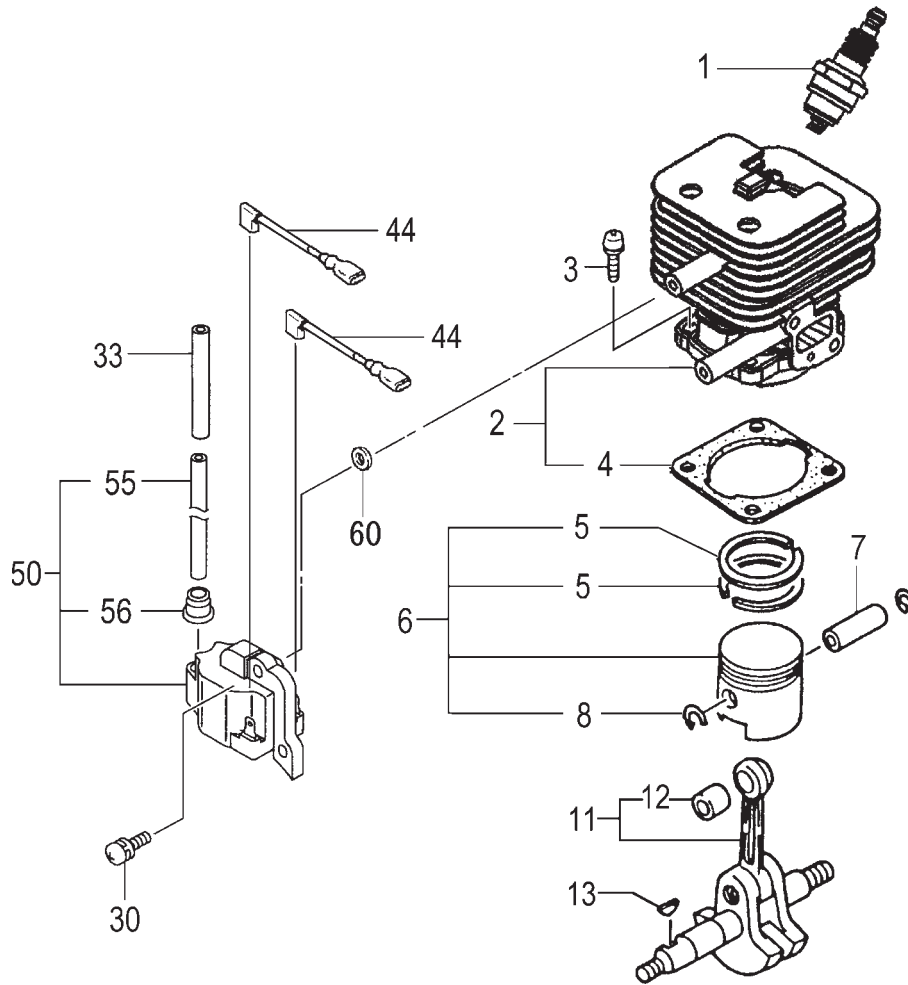
P/N 40134

Rev 000

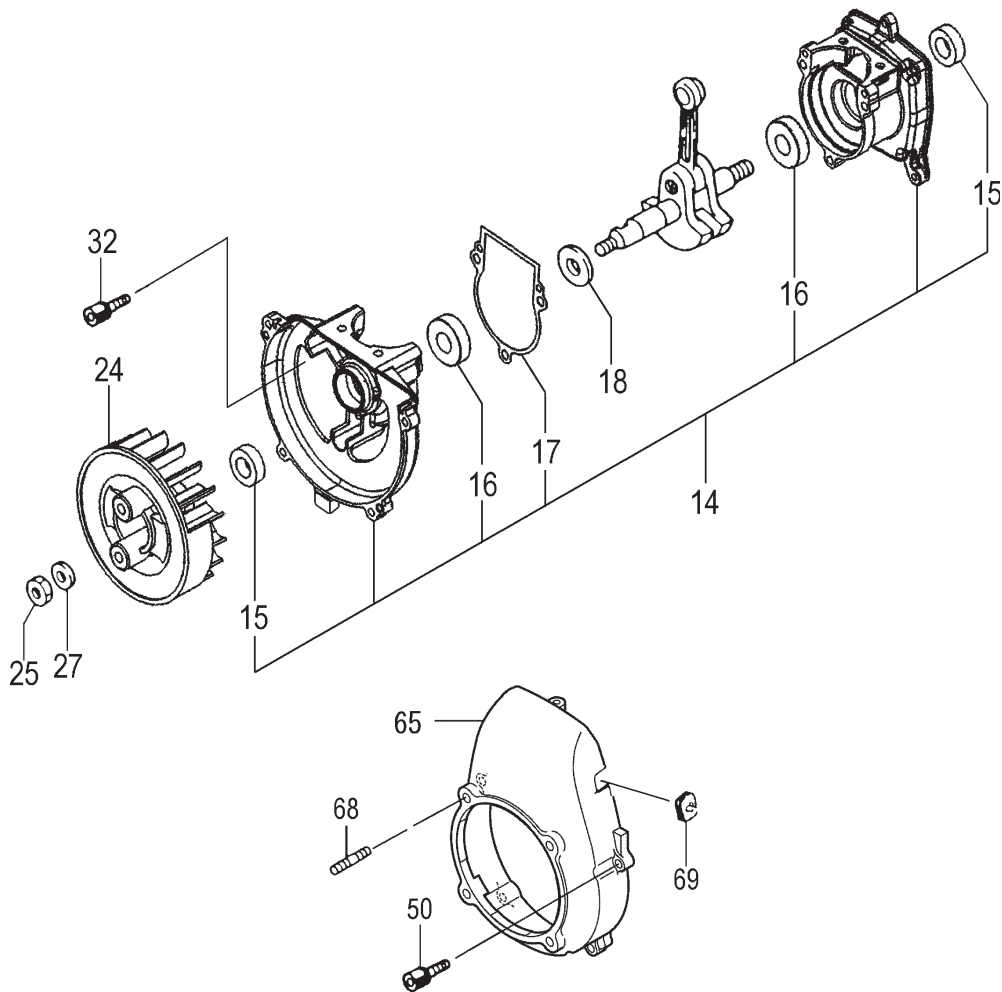
Date 11-13-08



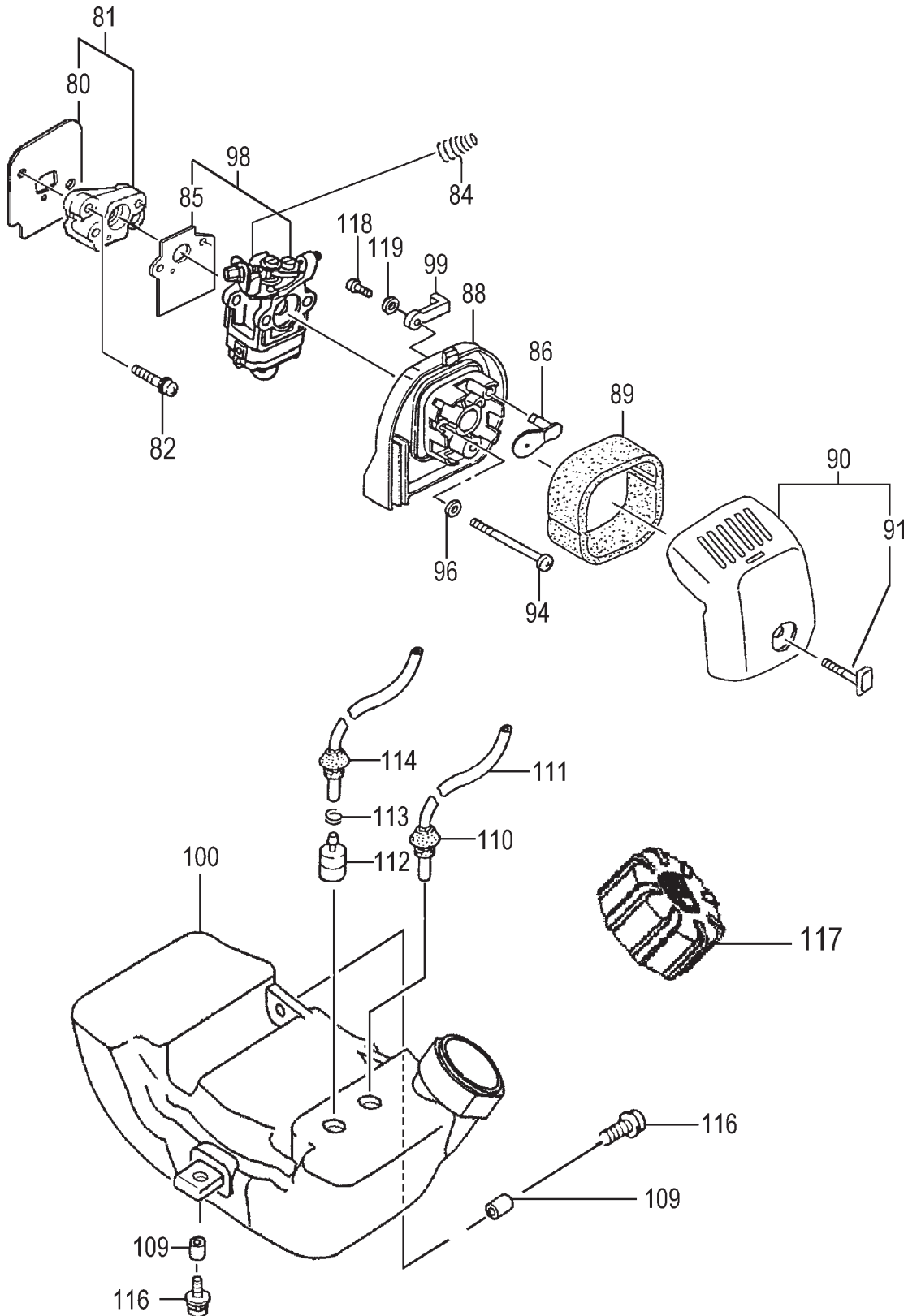
Nikko Tanaka Engineering U.S.A.,Ltd. • 1028 4<sup>th</sup> Street SW, Bldg B • Auburn, WA 98001 • Phone: (253) 333-1200 • Fax: (253) 333-1212



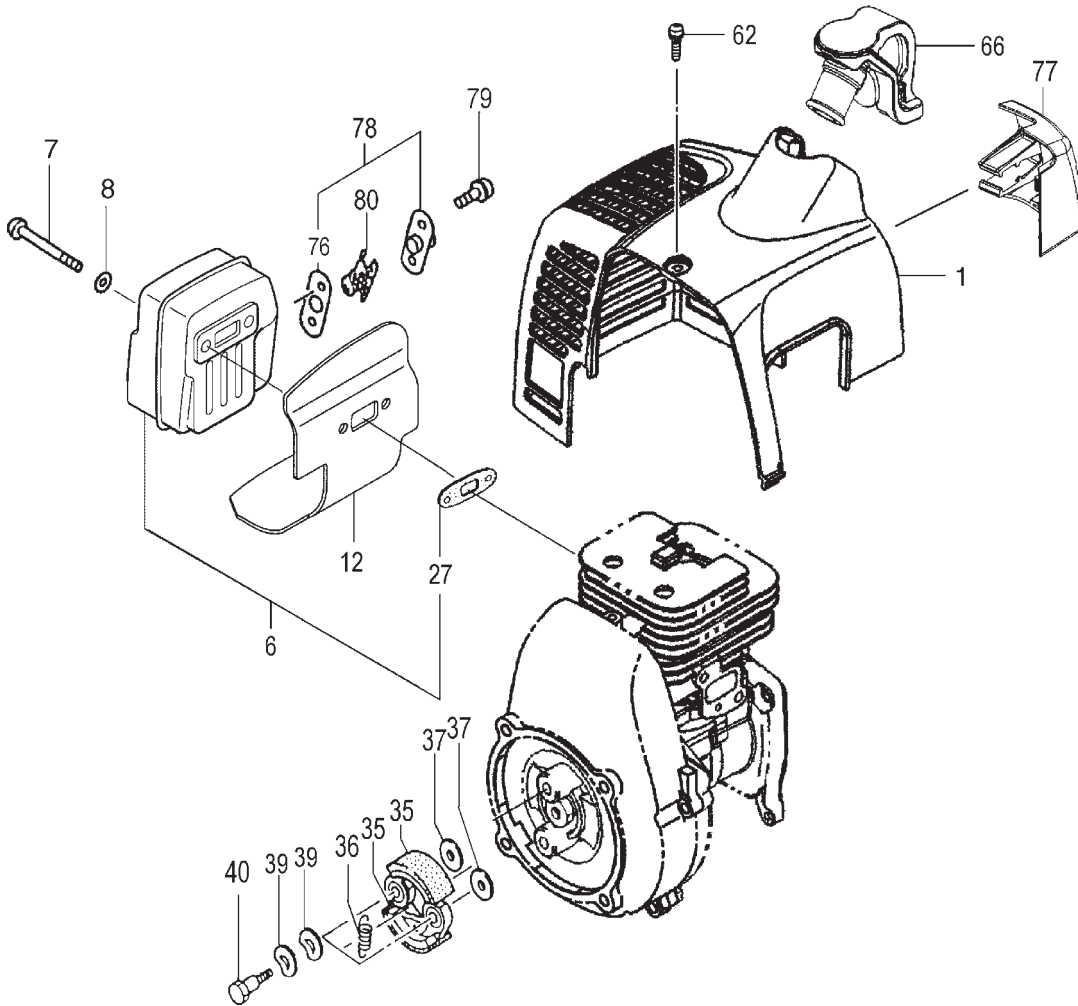
ITEM	PART NUMBER	DESCRIPTION	QTY	COMMENTS
1-1	0181161021	PLUG, SPARK	1	
1-2	0010703191	CYLINDER SET	1	Includes gasket
1-3	99461050164	BOLT, HEX, 5X16, S	4	
1-4	0170702020	GASKET, CYLINDER	1	
1-5	04101730200	RING, PISTON	2	
1-6	0300703091	PISTON SET	1	Includes rings and circlips
1-7	03701400200	PIN, PISTON	1	
1-8	03900000201	CIRCLIP, PISTON PIN	2	
1-11	0460703A81	CRANKSHAFT	1	
1-12	99962091325	BEARING, NEEDLE, F-910	1	
1-13	06810100200	KEY, WOODRUFF, 3X13X4.5	1	
1-30	99464040184	BOLT, HEX, 4X18WS	2	
1-33	2500702020	TUBE, INSULATOR	1	
1-44	1780703B80	CORD, STOP B	2	
1-50	1672054991	COIL, IGNITION ASSY	1	
1-55	1782054920	WIRE, HIGH TENSION	1	
1-56	56020517200	CAP, RUBBER	1	
1-60	1820186A201	WASHER, SPECIAL	2	



ITEM	PART NUMBER	DESCRIPTION	QTY	COMMENTS
2-14	0720702090	CRANKCASE	1	Includes bearings, seals and gasket
2-15	99966122240	SEAL,OIL,#12227	2	
2-16	99961600115	BEARING,BALL,6001 C3	2	
2-17	0900702020	GASKET,CRANKCASE	1	
2-18	33000200210	SHIM,12.2X19X.10	1	
2-18	33000200220	SHIM,12.2X19X.15	1	
2-18	33000200230	SHIM,12.2X19X.20	1	
2-18	33000200240	SHIM,12.2X19X.30	1	
2-24	1552054980	ROTOR,MAGNETO	1	
2-25	99101080011	NUT,8	1	
2-27	99200080011	WASHER,8	1	
2-32	99461050164	BOLT,HEX,5X16,S	3	
2-50	99416050181	SCREW,5x18,WS	4	
2-65	1120703120	CASE,FAN	1	
2-68	10004001200	BOLT,STUD,6X36	4	
2-69	20311660200	GROMMET,PRIMARY CORD	1	

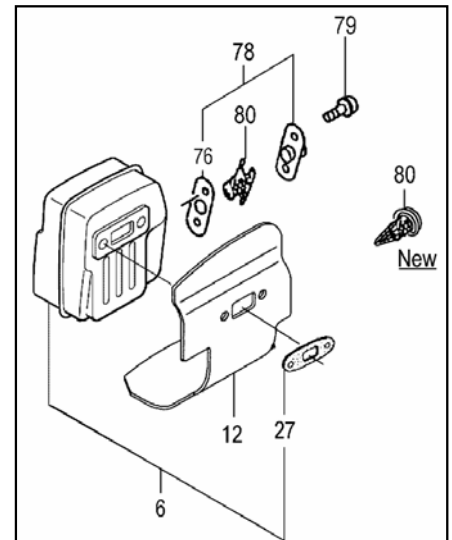


ITEM	PART NUMBER	DESCRIPTION	QTY	COMMENTS
3-80	4030143C21	GASKET, INLET MANIFOLD	1	Includes gasket
3-81	4040143C90	INSULATOR, SET	1	
3-82	99416050221	SCREW, 5X22/WS	2	
3-84	90210243200	SPRING, WIRE, RETURN	1	
3-85	4020656A200	GASKET	1	
3-86	5280702022	PLATE, CHOKE, 1.0	1	
3-88	4230652N80	BODY, AIR CLEANER	1	
3-89	4460652N20	CLEANER, ELEMENT	1	
3-90	4520703590	COVER, CLEANER	1	
3-91	4500702480	BOLT, CLEANER COVER	1	
3-94	99414050571	SCREW, 5X57, S	2	
3-96	99200050011	WASHER, SMALL, 5	2	
3-98	4550720A90	CARBURETOR SET	1	Includes gasket
3-99	5230652N20	LEVER, CHOKE	1	
3-100	5910703480	TANK, FUEL, ORANGE	1	
3-109	65900801200	COLLAR	3	
3-110	22206300200	GROMMET, FUEL PIPE	1	
3-111	7000300508	PIPE, FUEL, 3X5X85	1	
3-112	6750404280	FILTER, FUEL	1	
3-113	68000731201	CLIP 6.3	1	
3-114	2230162V900	PIPE, FUEL, ASS'Y	1	
3-116	99415050162	SCREW, 5X16/PS	3	
3-117	5950300290	CAP, TANK (BLACK/RED)	1	
3-118	99075040154	SCREW, TAPPING, 4X15	1	
3-119	99201040011	WASHER, 4	1	

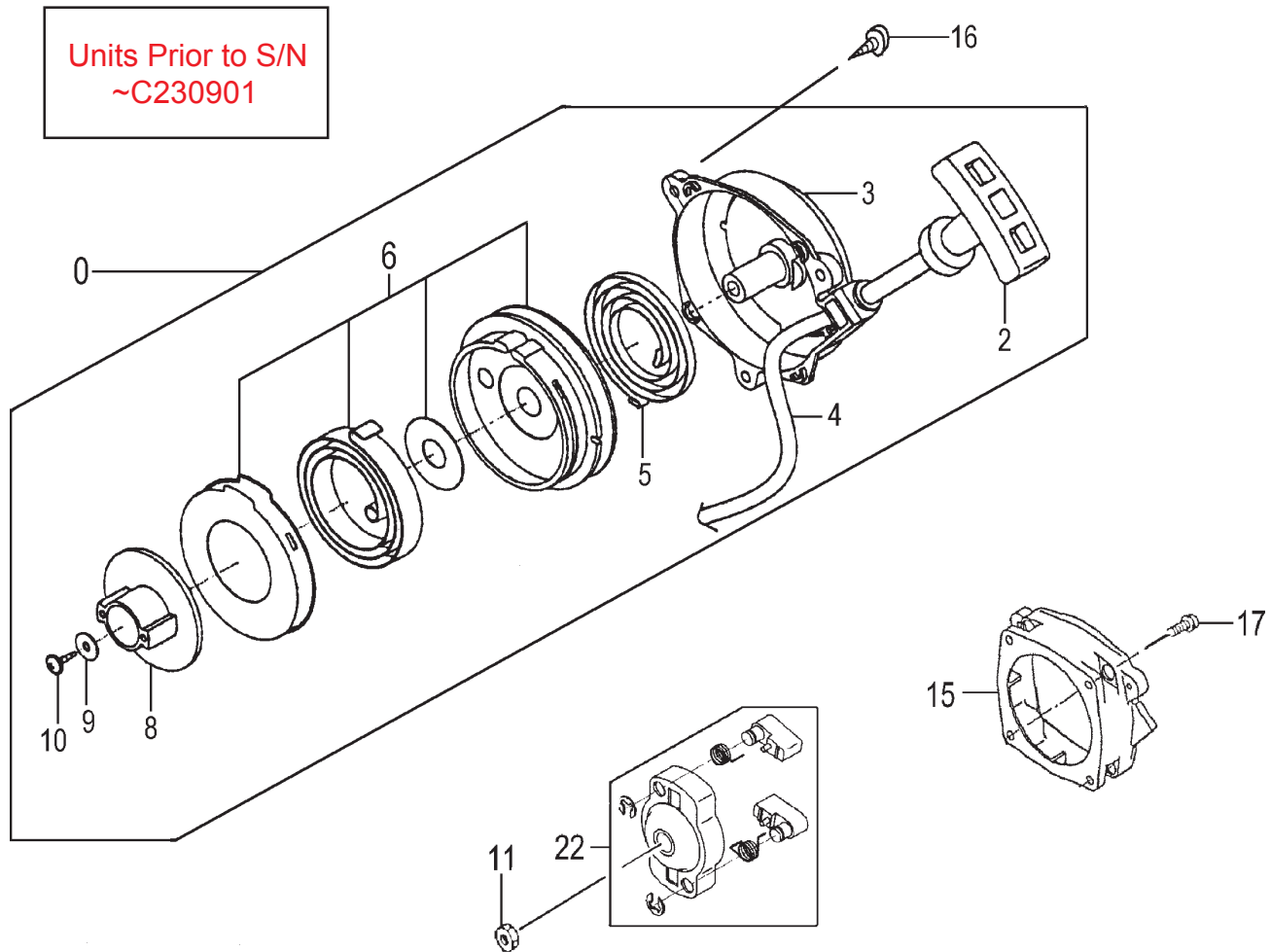


### Units after Serial Number D014351

The exhaust direction has been changed 20 degrees to the outside to prevent the exhaust from contacting the gear case.



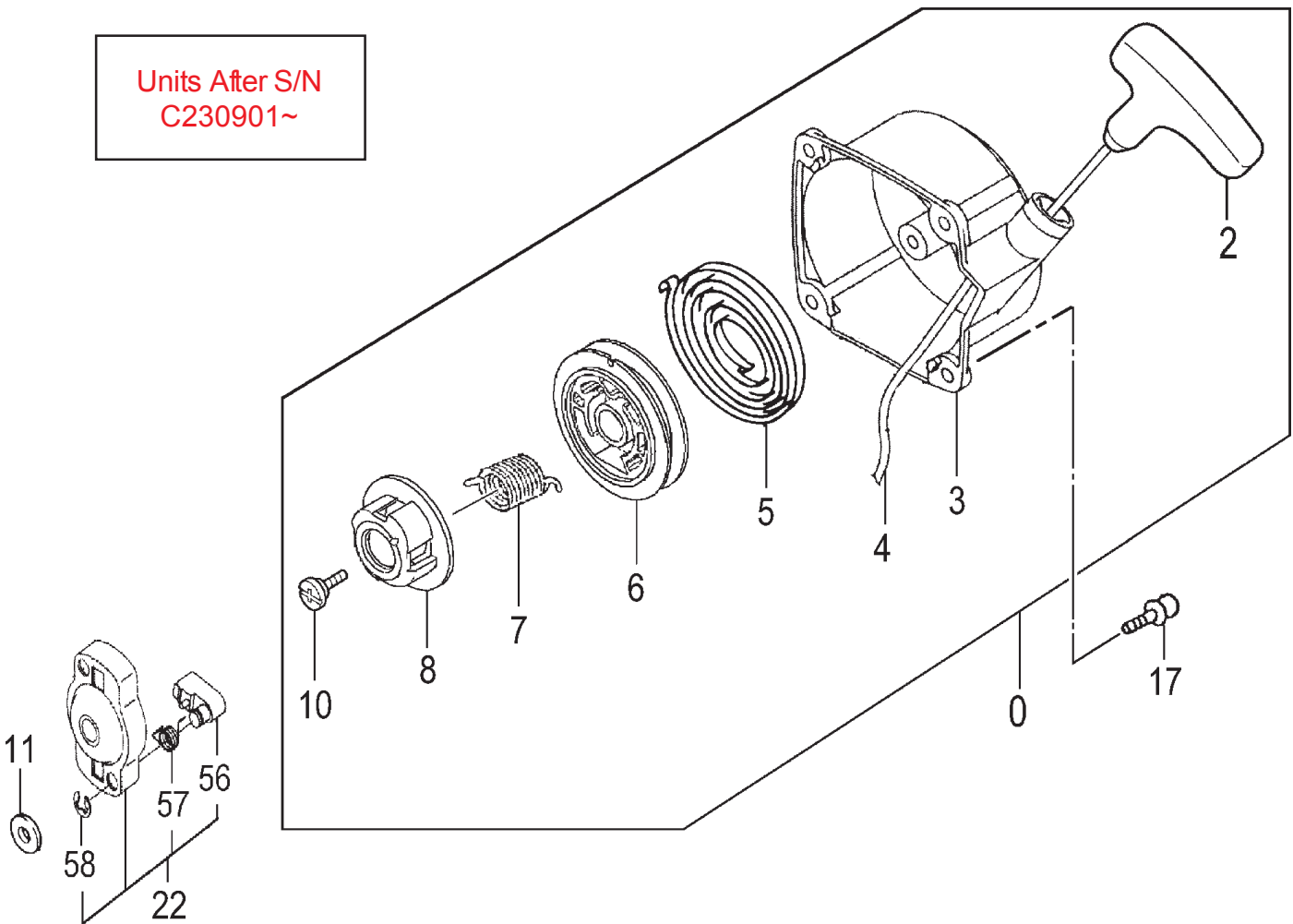
ITEM	PART NUMBER	DESCRIPTION	QTY	COMMENTS
4-1	7380703120	COVER,MUFFLER	1	
4-6	7040720G90	MUFFLER SET	1	~D014351
4-6	7040720A90	MUFFLER SET	1	D014351~
4-7	99053060553	SCREW,HEX.HOLE	2	
4-8	99201060011	WASHER,6	2	
4-12	1330702021	SHIELD,HEAT	1	
4-27	7370165A201	GASKET,MUFFLER	1	
4-35	2900138A80	SHOE,CLUTCH	2	
4-36	3420138A20	SPRING,CLUTCH	1	
4-37	35910112203	WASHER,CLUTCH B	2	
4-39	99204100030	WASHER,WAVE,10	4	
4-40	3570136U200	BOLT,STEP,CLUTCH	2	
4-62	99415040122	SCREW,4X12/PS	1	
4-66	1570720A90	CAP,SPARK PLUG	1	
4-76	7510702020	GASKET,MUFFLER	1	~D014351
4-77	1320720A20	DEFLECTOR	1	
4-78	7340703790	PIPE,TAIL,SET	1	~D014351
4-79	99434040081	SCREW,4X8/S	2	~D014351
4-80	7320631A21	ARRESTER,SPARK	1	~D014351
4-80	7320400180	ARRESTER,SPARK	1	D014351~



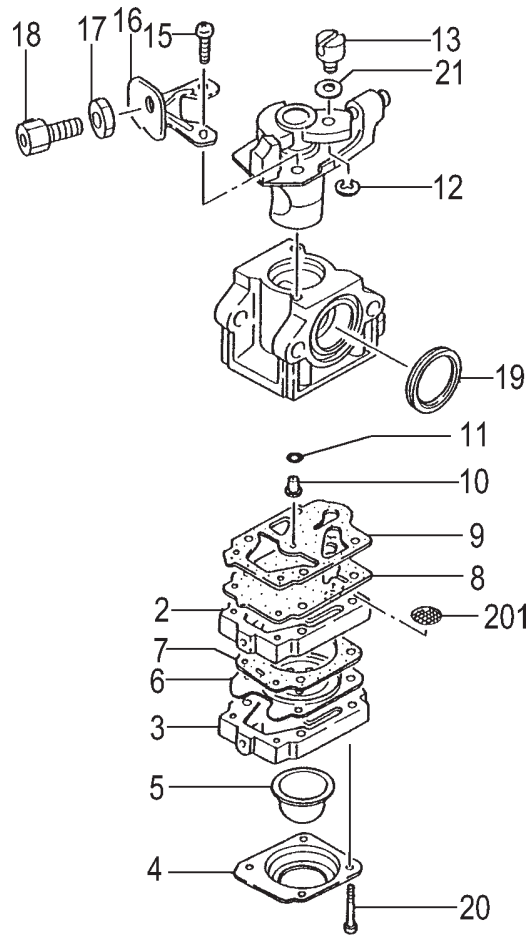
ITEM	PART NUMBER	DESCRIPTION	QTY	COMMENTS
5-0	7620702790	STARTER ASS'Y,S-START	1	Units prior to S/N ~C230901
5-2	7850708520	HANDLE,STARTER	1	
5-3	7720708580	BODY,RECOIL STARTER	1	
5-4	7830708520	ROPE,STARTER	1	
5-5	7800708520	SPRING,RECOIL	1	
5-6	7780708591	SPRING CASE ASS'Y	1	
5-8	7740702720	PULLEY,STARTER	1	
5-9	1820708520	WASHER,SPECIAL	1	
5-10	99072050144	SCREW,TAPPING,5X14	1	
5-11	99101080011	NUT,8	1	
5-15	8060702720	BASE,STARTER	1	
5-16	99073045144	SCREW,TAPPING 4.5x14	3	
5-17	99464040185	BOLT,HEX,4x18WS	4	
5-22	7980708590	PULLEY,STARTER	1	



Units After S/N  
C230901~

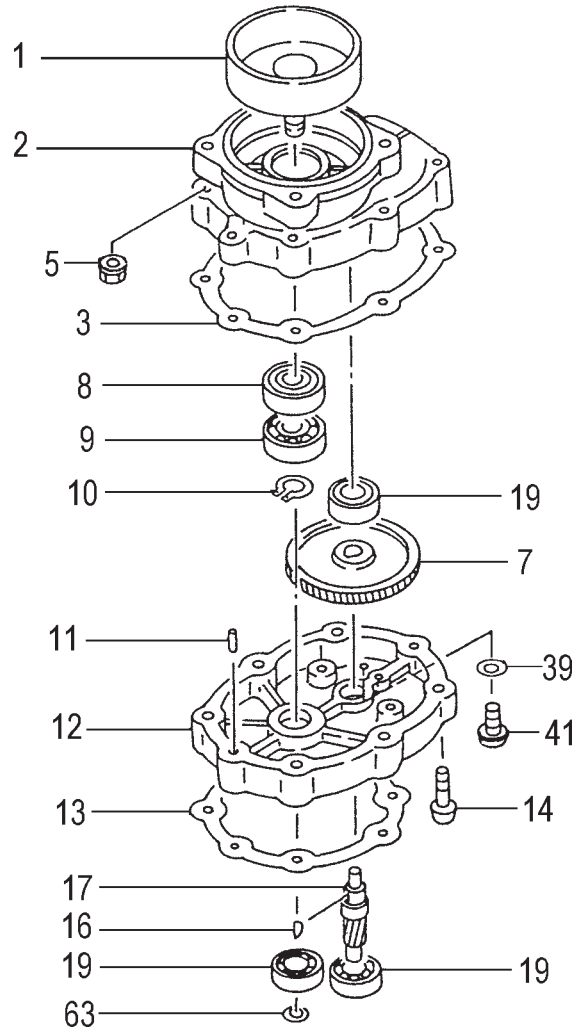


ITEM	PART NUMBER	DESCRIPTION	QTY	COMMENTS
5-0	7560720F00	STARTER ASS'Y,S-START	1	Units after S/N C230901~
5-2	7850304520	HANDLE,STARTER	1	
5-3	7720720F80	BODY,RECOIL STARTER	1	
5-4	7830720F20	ROPE,STARTER	1	
5-5	7800609720	SPRING,RECOIL	1	
5-6	7740720F20	REEL,ROPE	1	
5-7	7580720F20	SPRING 1	1	
5-8	7590651H20	CAM	1	
5-10	8390304520	SCREW	1	
5-11	35902103200	WASHER	1	
5-17	99463040205	BOLT,HEX,4x20PS	4	
5-22	7980651H90	PULLEY,STARTER	1	
5-56	7880651H20	SPRING,STARTER	2	
5-57	7900609720	SPRING,STARTER PAWL	2	
5-58	99355050000	RING,STOP,5	2	

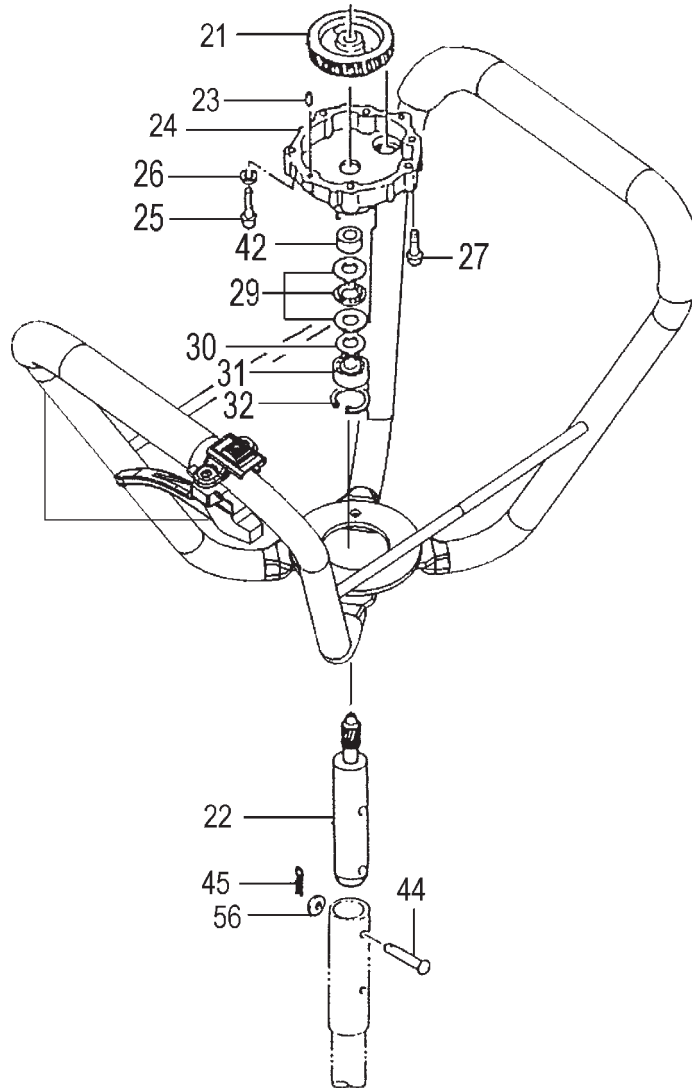


ITEM	PART NUMBER	DESCRIPTION	QTY	COMMENTS
6-0	4550720A90	CARBURETOR SET	1	Includes gasket
6-2	5752515380	BODY,PUMP	1	
6-3	4422515180	PUMP,PRIMING	1	
6-4	4762515120	COVER,DIAPHRAGM	1	
6-5	44725108200	BULB,PRIMING	1	
6-6	~ ~ ~	GASKET,DIAPHRAGM	1	~ Included in 650.25124.90 Carb Kit (not available individually)
6-7	~ ~ ~	GASKET,DIAPHRAGM	1	
6-8	~ ~ ~	DIAPHRAGM,PUMP	1	
6-9	~ ~ ~	GASKET,PUMP	1	
6-10	5992000W430	JET,MAIN,#43	1	
6-11	55025100200	O-RING	1	
6-12	48925100200	RING,STOP	1	
6-13	53925120200	SWIVEL	1	
6-15	51425100200	SCREW,THROTTLE SET	1	
6-16	54425164200	STAY,ADJUST,CABLE	1	
6-17	99101060013	NUT,6	1	
6-18	6142524520	ADJUSTER,CABLE	1	
6-19	4310634C200	GASKET,CLEANER	1	
6-20	5482515120	SCREW,SET	4	
6-21	5492516520	WASHER,THRUST	1	
6-201	57825007200	SCREEN,INLET	1	

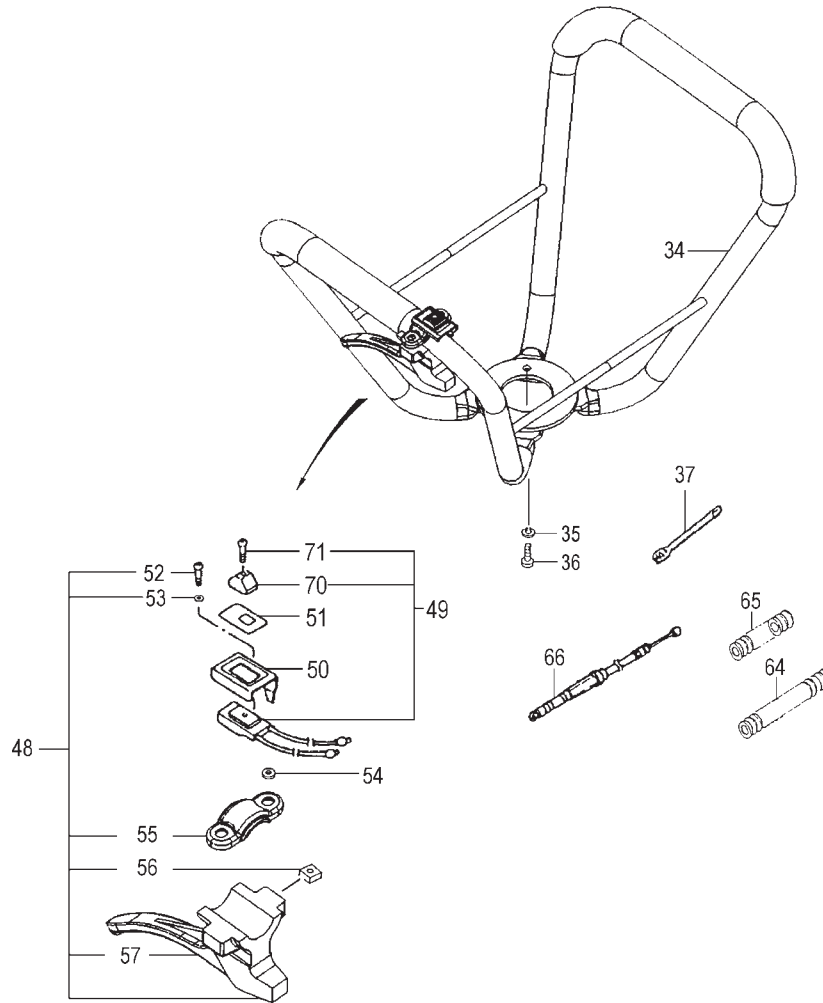
CLUTCH DRUM & GEAR CASE • FIGURE 7



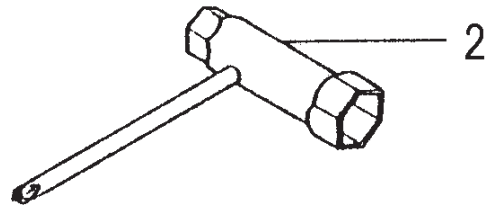
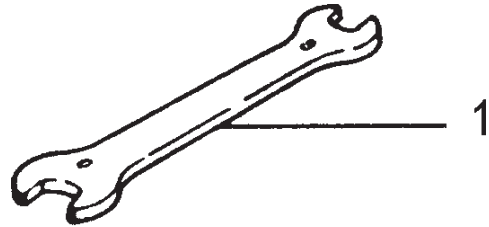
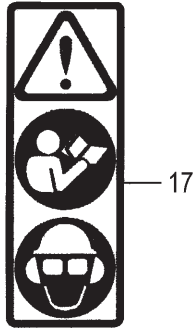
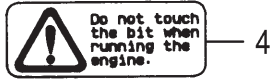
ITEM	PART NUMBER	DESCRIPTION	QTY	COMMENTS
7-1	2263246680	HOUSING,CLUTCH	1	
7-2	20032420200	CASE,GEAR,A	1	
7-3	20432401203	GASKET,GEAR CASE	1	
7-5	99440060011	NUT,SPRING 6	4	
7-7	2213246520	GEAR,#2	1	
7-8	99961620202	BEARING,BALL,#6202Z	1	
7-9	99961620200	BEARING,BALL,#6202	1	
7-10	99350015002	RING,STOP,C-15 EX	1	
7-11	99905041201	PIN,KNOCK,4X12	2	
7-12	20132401203	CASE,GEAR B	1	
7-13	20532401201	GASKET,CASE,GEAR,C	1	
7-14	99414050301	SCREW,5X30/S	2	
7-16	06811000200	KEY,WOODRUFF,3X15X5.0	1	
7-17	2223246520	GEAR,#3	1	
7-19	99961600000	BEARING,BALL,#6000	3	
7-39	99201060011	WASHER,6	1	
7-41	99011060081	SCREW,6X8	1	
7-63	99350017002	RING,STOP,C17 EX	1	



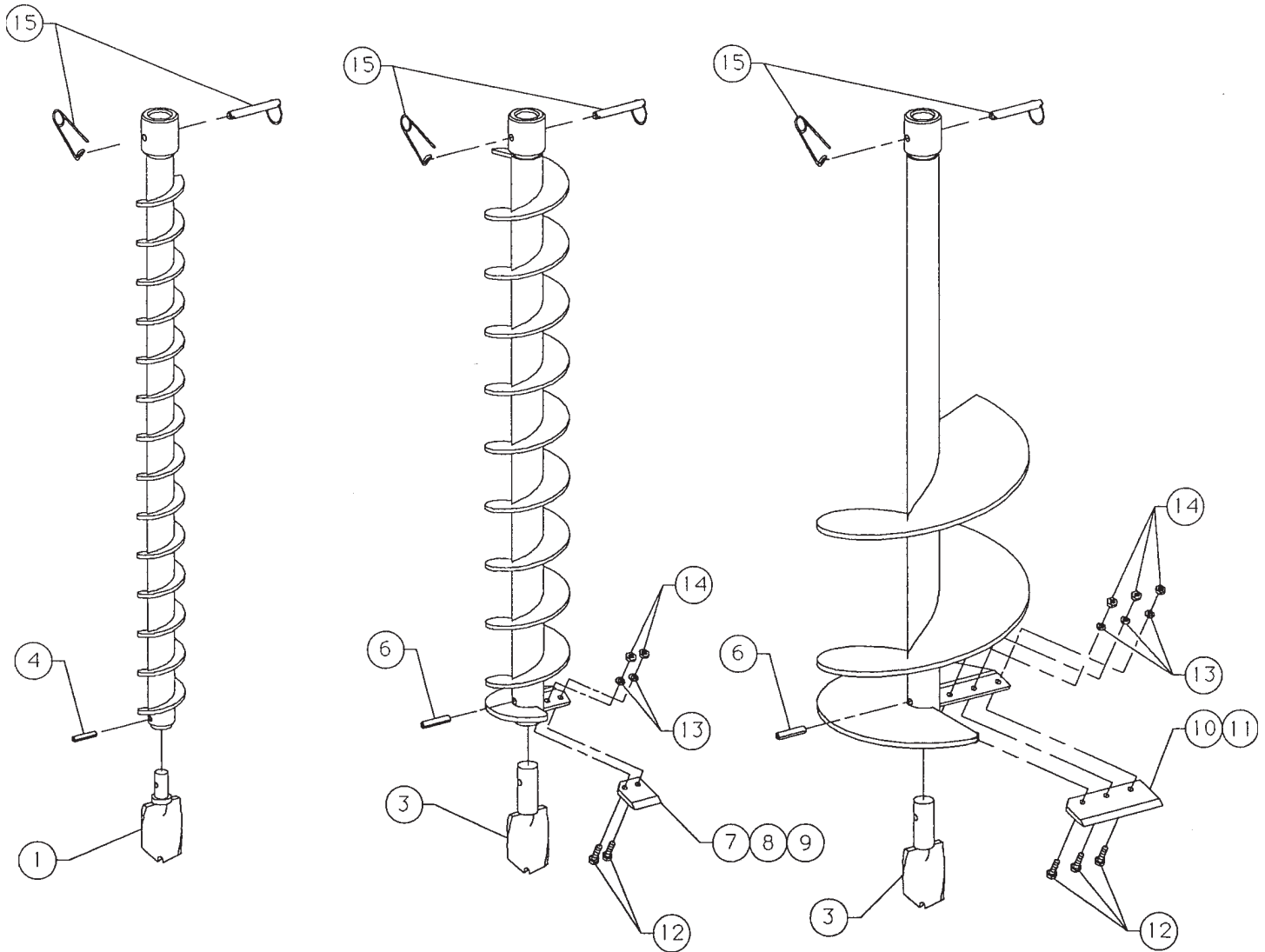
ITEM	PART NUMBER	DESCRIPTION	QTY	COMMENTS
8-21	2233246520	GEAR,#4	1	
8-22	2253246520	SHAFT,DRIVE	1	
8-23	99905041201	PIN,KNOCK,4X12	2	
8-24	2023246520	CASE,GEAR,C	1	
8-25	99011050501	SCREW,5X50	4	
8-26	99210050012	WASHER,S,5	4	
8-27	99414050301	SCREW,5X30/S	2	
8-29	99962203572	BEARING,THRUST,#2035	1	
8-30	2303246520	COLLAR,GEAR SHAFT A	1	
8-31	99961690401	BEARING,BALL,#6904ZZ	1	
8-32	99351037002	RING,STOP,C-37	1	
8-42	2313246520	COLLAR,GEAR SHAFT B	1	
8-44	EBF-PIN	PIN,8X60mm	2	
8-45	ASP-100	PIN,SNAP,EBF/IBH	2	
8-56	99201080011	WASHER,8	2	



ITEM	PART NUMBER	DESCRIPTION	QTY	COMMENTS
9-34	0493247590	HANDLE ASSY	1	
9-35	99210060012	WASHER,S,6	4	
9-36	99023060181	BOLT,PLUS,6X18	4	
9-37	19833130200	CLAMP,CORD	3	
9-48	8703247590	LEVER,THROTTLE	1	
9-49	1563247590	SWITCH,STOP	1	
9-50	6403246521	BRACKET,STOP BUTTON	1	
9-51	9253317620	DECAL,STOP BUTTON	1	
9-52	99023060301	BOLT,P,6X30	2	
9-53	99201060011	WASHER,6	2	
9-54	87032600200	WASHER,SPECIAL,A	1	
9-55	8833247520	BAND,THROTTLE LEVER	1	
9-56	99191060061	NUT,SQUARE,6	2	
9-57	8803247520	ARM,THROTTLE	1	
9-64	1641004200	TUBE,PROTECTION,10x420	1	
9-65	1641301501	TUBE,PROTECTION,13x150	1	
9-66	8850720A81	WIRE,THROTTLE	1	
9-70	2581165020	BUTTON,STOP	1	
9-71	99011030101	SCREW,3X10	1	

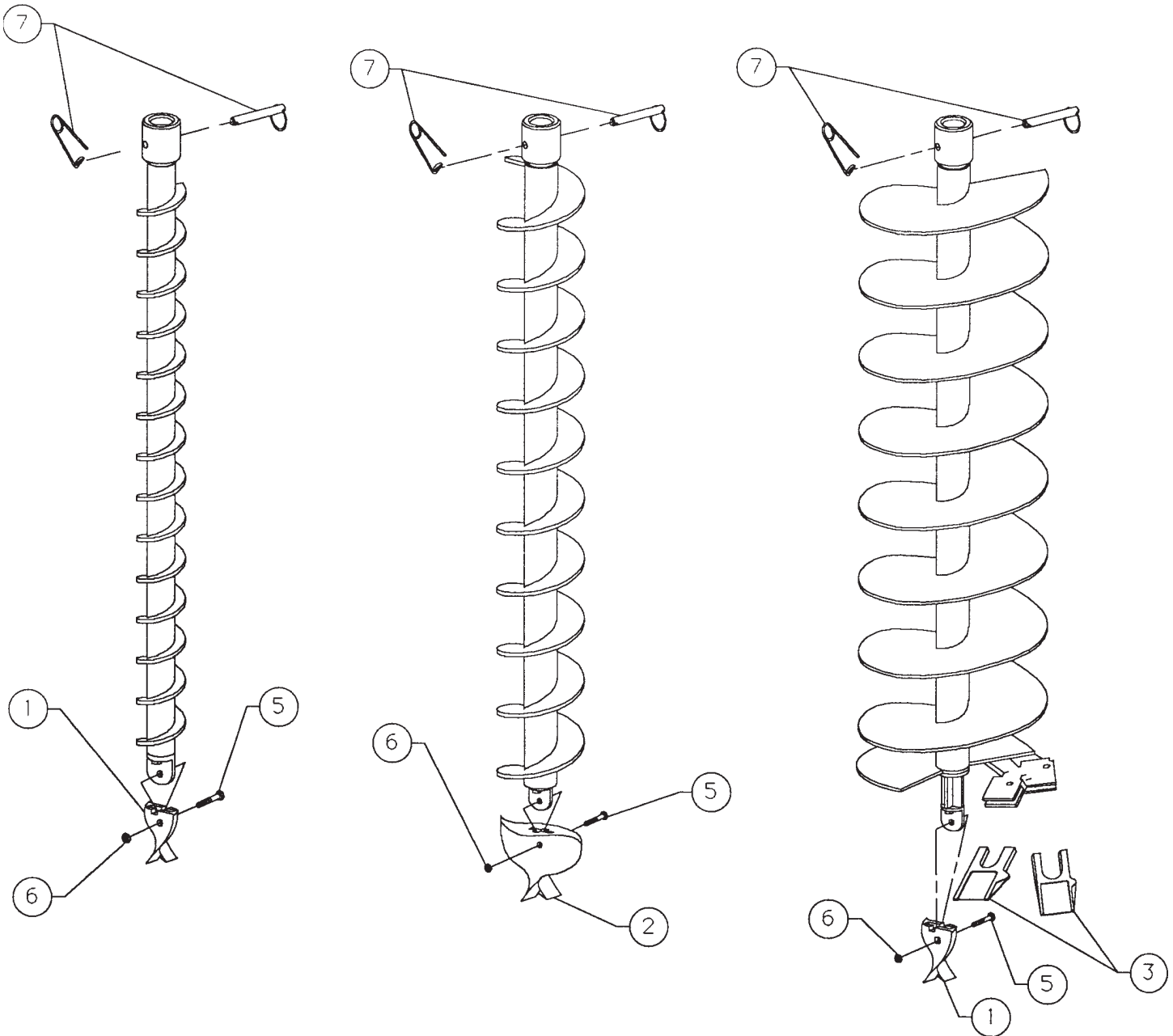


ITEM	PART NUMBER	DESCRIPTION	QTY	COMMENTS
10-1	80820000200	SPANNER,10X13	1	
10-2	03629331501	SPANNER,COMBI	1	
ITEM	PART NUMBER	DESCRIPTION	QTY	COMMENTS
11-1	9060720A20	DECAL,TIA-350S	1	
11-4	9213217220	DECAL,CAUTION	1	
11-17	9203246620	DECAL,CAUTION	1	



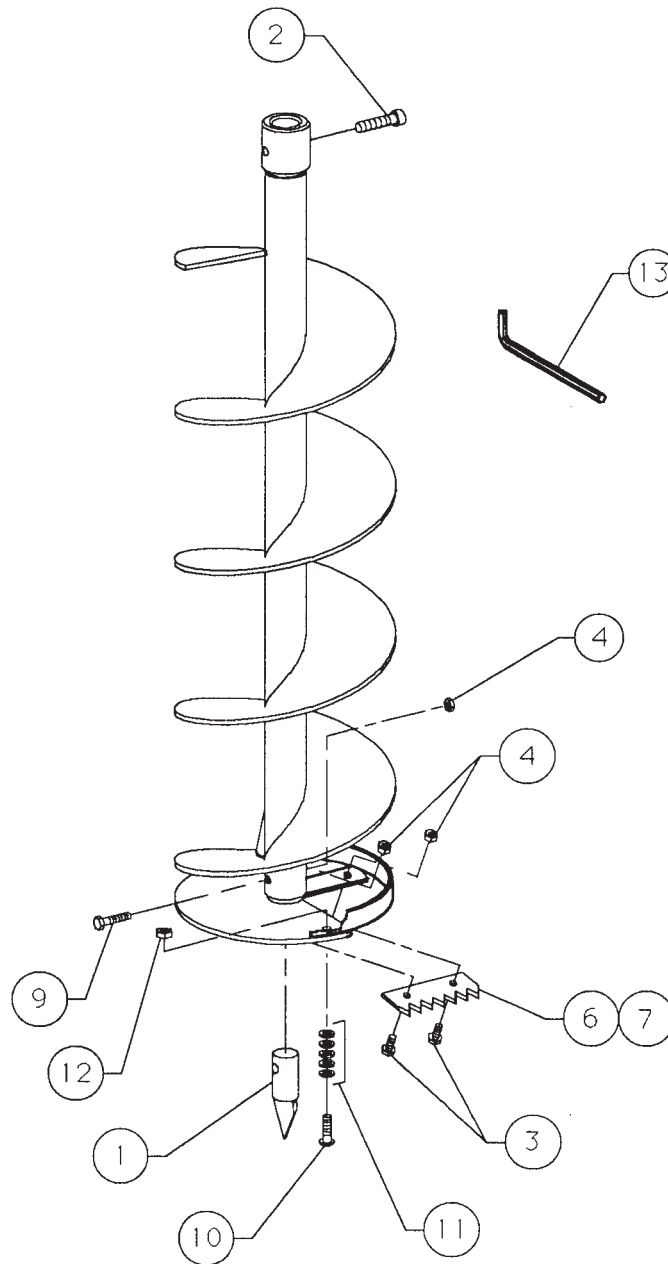
ITEM	PART NUMBER	DESCRIPTION	QTY	APPLICATION	COMMENTS
1	EBF-KIT	BIT, SCREW (EARTH ONLY)	1	EBF-02	
3	EBF-TIP	TIP	1	EBF-04 THRU EBF-12	
4	N/A	PIN, ROLL, 1/4" X 1-1/4"	1	EBF-02	STD HARDWARE ITEM
6	N/A	PIN, ROLL, 5/16" X 1-1/2"	1	EBF-04 THRU EBF-12	STD HARDWARE ITEM
7	CB-04	BLADE, 4"	1	EBF-04	
8	CB-06	BLADE, 6"	1	EBF-06	
9	CB-08	BLADE, 8"	1	EBF-08	
10	CB-10	BLADE, 10"	1	EBF-10	
11	CB-12	BLADE, 12"	1	EBF-12	
12	N/A	SCREW, CAP, HEX, 1/4 UNC X 7/8"	2,3	EBF-04 THRU EBF-12	STD HARDWARE ITEM
13	N/A	WASHER, LOCK, 1/4"	2,3	EBF-04 THRU EBF-12	STD HARDWARE ITEM
14	N/A	NUT, HEX, 1/4-20 UNC	2,3	EBF-04 THRU EBF-12	STD HARDWARE ITEM
15	EBF-PIN	PIN, AUGER	1	ALL AUGERS	
N/A	EBF-EXT	EXTENSION, 15"	1	ALL AUGERS	EXTENSION NOT SHOWN

EBF-02 = 745401, EBF-04 = 745402, EBF-06 = 745403, EBF-08 = 745404, 745405 = EBF-10, 745406 = EBF-12



ITEM	PART NUMBER	DESCRIPTION	QTY	APPLICATION	COMMENTS
1	28295	BIT, SCREW (EARTH ONLY)	1	EBF-02P, EBF-06P, EBF-08P, EBF-12P	
3	28185	TOOTH, PENGO	2	EBF-06P, EBF-08P	HARD FACED
5	N/A	SCREW, CAP, 5/16" X 1-1/2" UNC	1	ALL AUGERS	STD HARDWARE ITEM
6	N/A	NUT, HEX, 5/16" UNC	1	ALL AUGERS	STD HARDWARE ITEM
7	EBF-PIN	PIN, AUGER	1	ALL AUGERS	
N/A	EBF-EXT	EXTENSION, 15"	1	ALL AUGERS	EXTENSION NOT SHOWN





ITEM	PART NUMBER	DESCRIPTION	QTY	APPLICATION	COMMENTS
1	2424-1	BIT, SCREW (ICE ONLY)	1	ALL ICE AUGERS	
2	N/A	SCREW, ALLEN, 5/16" X 18 X 1-1/4"	1	ALL ICE AUGERS	STD HARDWARE ITEM
3	N/A	SCREW, CAP, 1/4-20 X 5/8"	2,3	ALL ICE AUGERS	STD HARDWARE ITEM
4	N/A	NUT, HEX, NYLOCK, 1/4"	3,4	ALL ICE AUGERS	STD HARDWARE ITEM
6	Y-246	BLADE, 6" (ICE ONLY)	1	IBH-06	
7	Y-248	BLADE, 8" (ICE ONLY)	1	IBH-08	
9	N/A	SCREW, CAP, 1/4-20 X 1-1/4"	1	ALL ICE AUGERS	STD HARDWARE ITEM
10	N/A	SCREW, CAP, 5/16-18 X 1-1/4"	1	ALL ICE AUGERS	STD HARDWARE ITEM
11	N/A	WASHER, FLAT, 1/4"	5	ALL ICE AUGERS	STD HARDWARE ITEM
12	N/A	NUT, HEX, NYLOCK, 5/16-18	1	ALL ICE AUGERS	STD HARDWARE ITEM
13	N/A	WRENCH, ALLEN, 1/4"	1	ALL ICE AUGERS	STD HARDWARE ITEM

IBH-06 = 745413, IBH-08 = 745414