

# **Tanaka** Illustrated Parts Manual

Model Number:

**TPB-450EX**

**450W Electric PowerBoard**

P/N 31642

Rev 000

Date 4-24-06

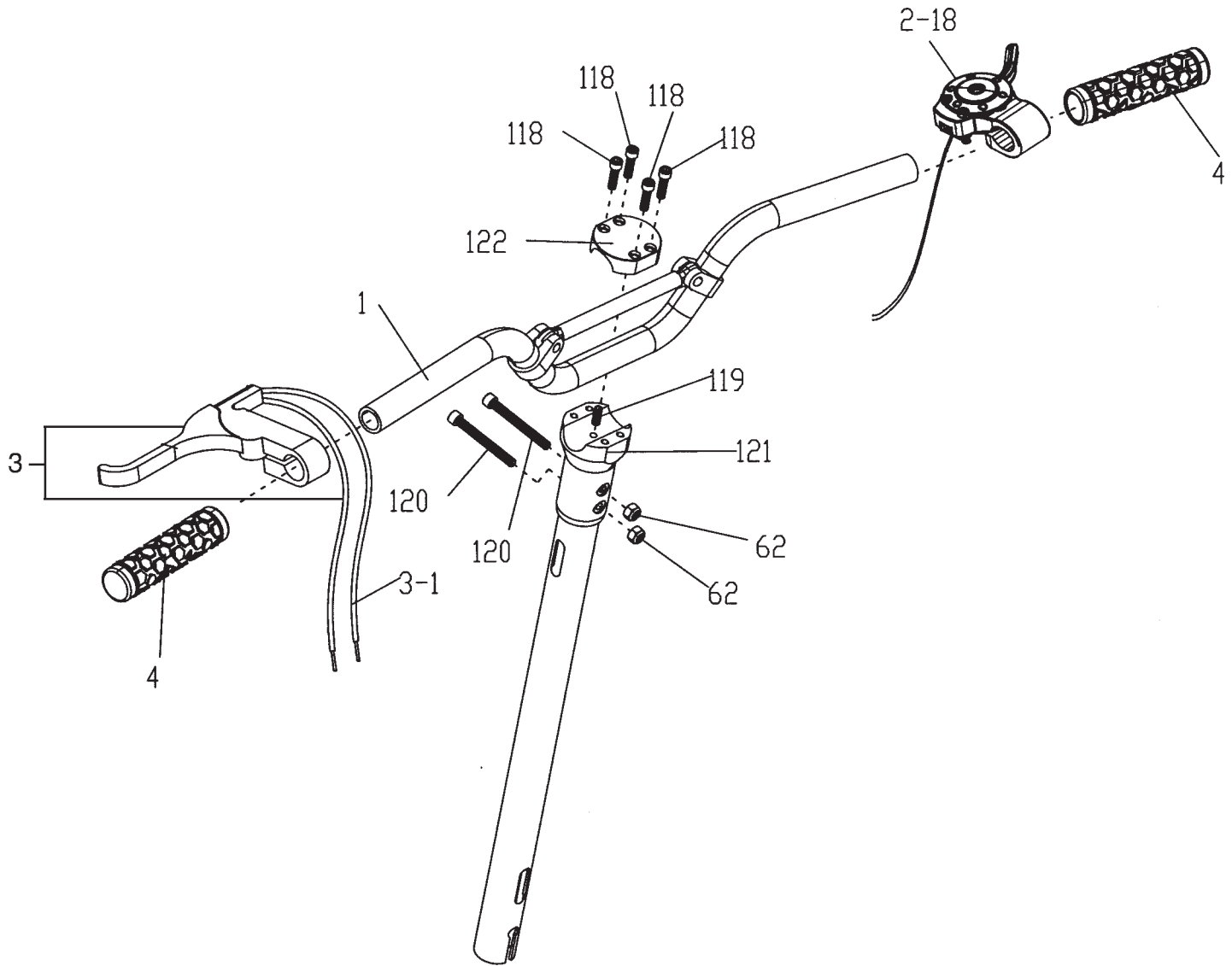


*Supplier To The Outdoor Power Equipment Industry*

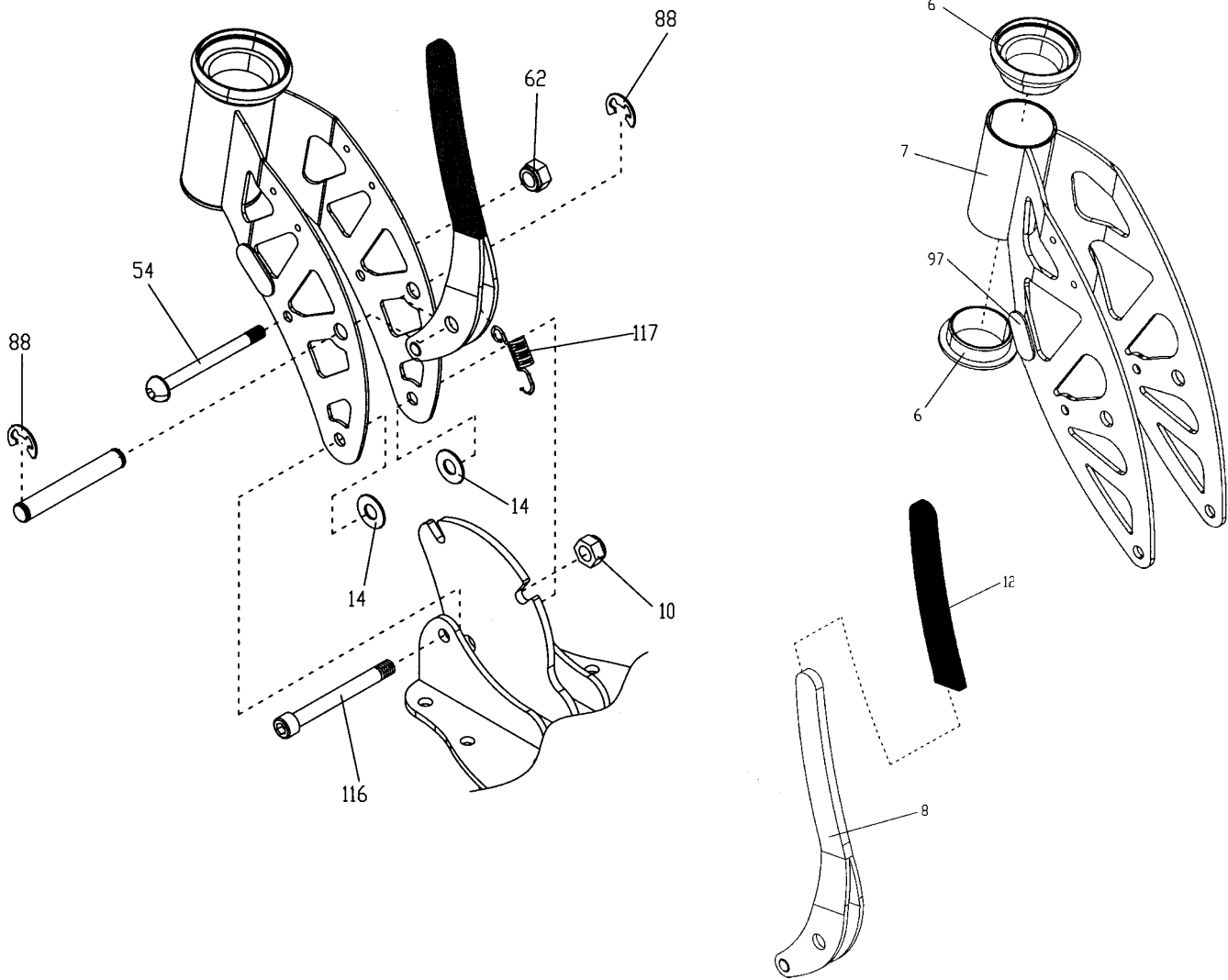
ISM, Inc. • 1028 4<sup>th</sup> Street SW • Auburn, WA 98001 • Phone: (253) 333-1200 • Fax: (253) 333-1212

[www.tanaka-usa.com](http://www.tanaka-usa.com)

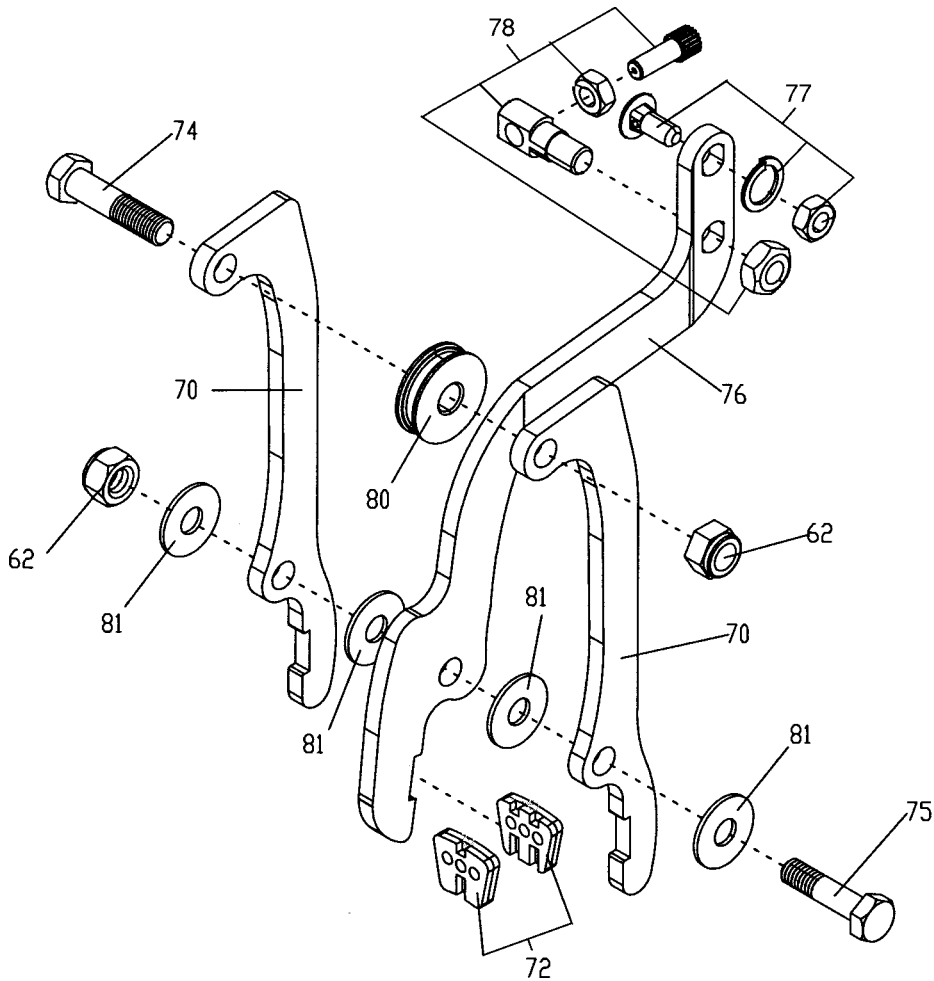
[custsvc@tanaka-ism.com](mailto:custsvc@tanaka-ism.com)



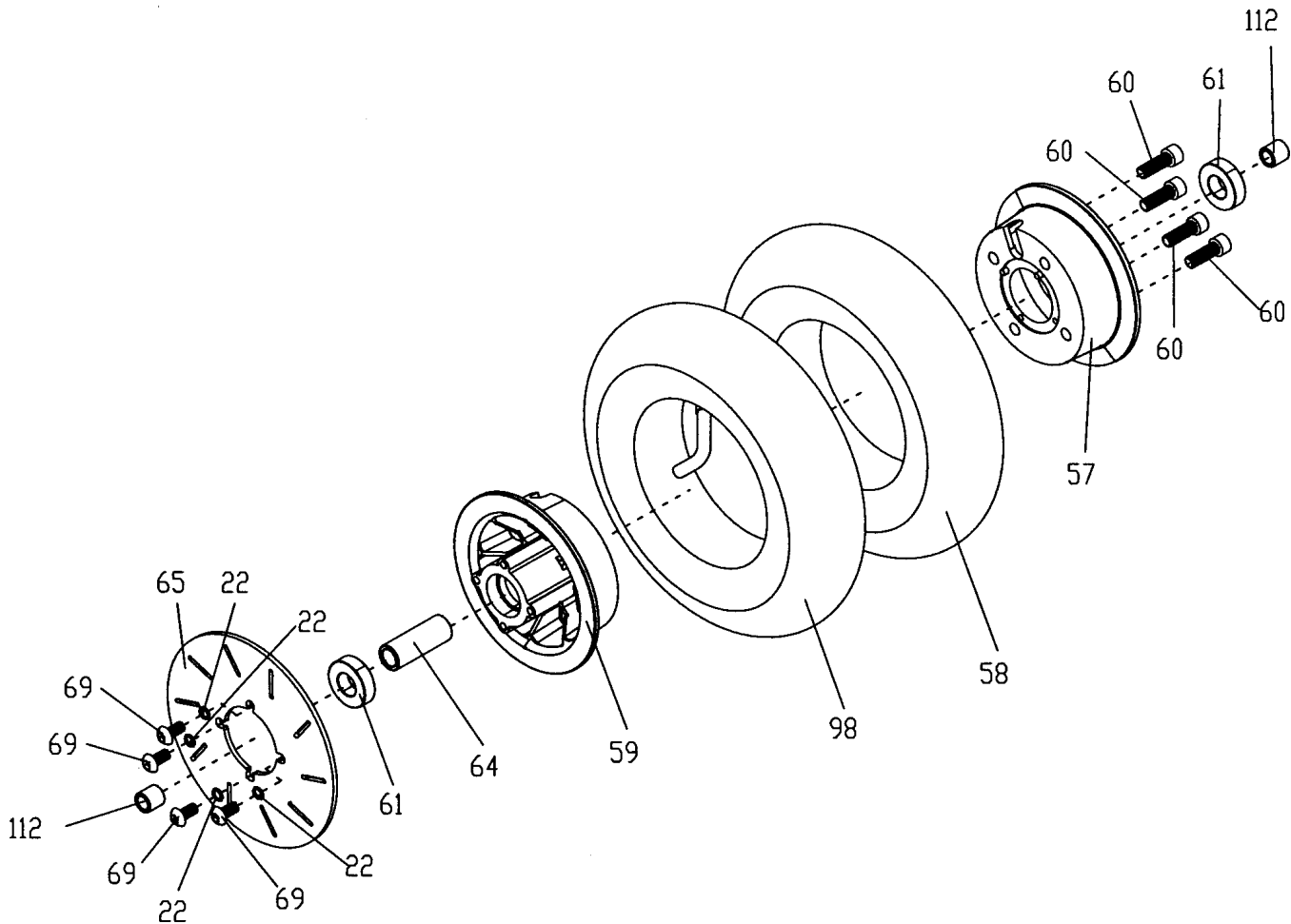
ITEM	PART NUMBER	DESCRIPTION	QTY	COMMENTS
1-1	31552	HANDLEBAR, COMPETITION	1	
1-2-18	31686	LEVER, THROTTLE, ASS'Y	1	
1-3	30993	LEVER, BRAKE, W-STOP WIRE	1	Includes hardware - not sold separately
1-3-1	31229	CABLE, BRAKE	1	
1-4	31006	GRIP, HANDLE	2	
1-62	31658	NUT	2	
1-118	31563	BOLT, M6xP1.0x20	4	
1-119	31566	BOLT, M6xP1.0x15	1	
1-120	31567	BOLT, M6xP1.0x42	2	
1-121	31565	STEERING STEM	1	
1-122	31564	STEERING STEM CAP	1	



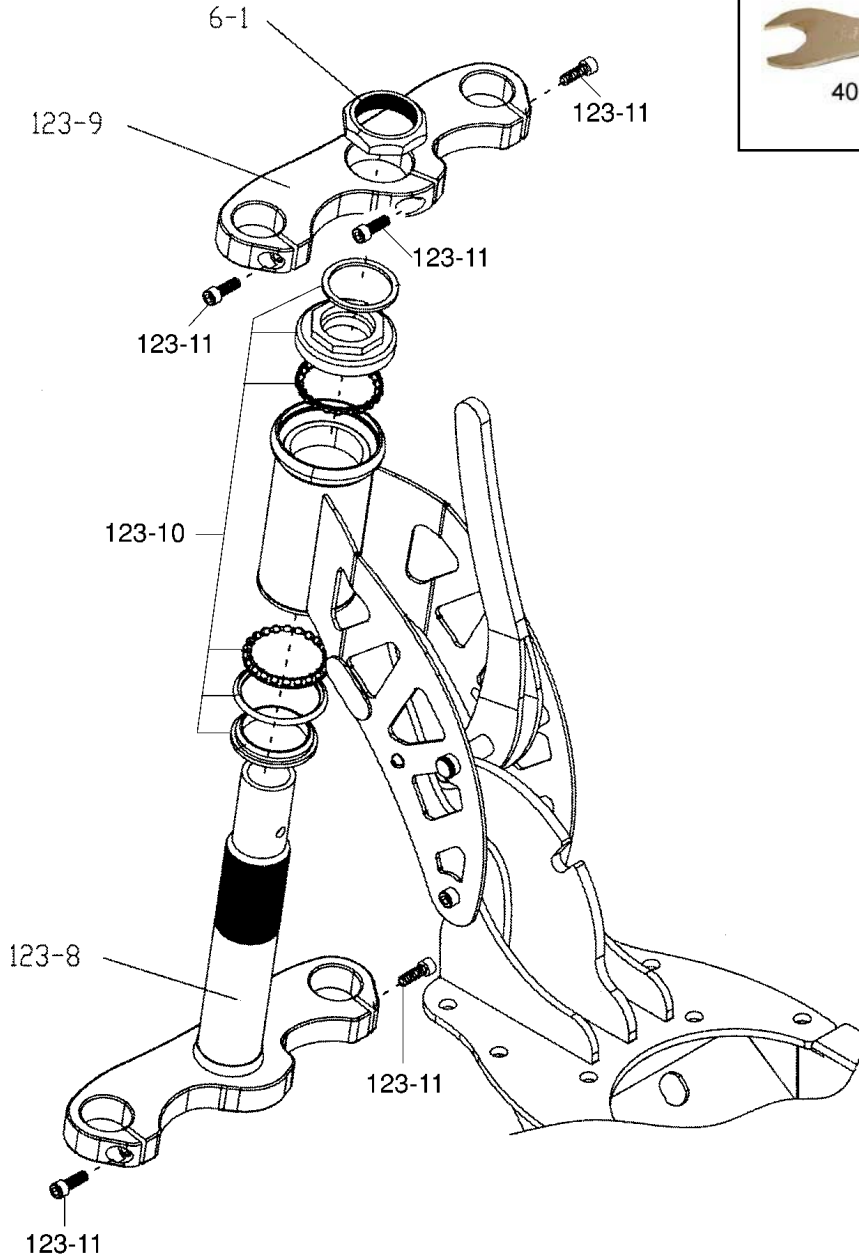
ITEM	PART NUMBER	DESCRIPTION	QTY	COMMENTS
2-6	30845	SPACER,FRONT HANDLE	2	
2-7	31687	TUBE,HEAD,GREEN	1	
2-8	31394	HANDLE,FOLDING,GREEN	1	
2-10	30821	NUT,NYLON,M8xP1.25	1	
2-12	30870	GRIP,FOLDING HANDLE	1	
2-14	31137	WASHER	2	
2-54	31139	BOLT,K-180	1	
2-62	30936	NUT,NYLON,M6xP1.0	1	
2-88	31141	RING,E	2	
2-97	31119	CUSHION,HEAD TUBE	2	
2-116	31663	BOLT	1	
2-117	31835	SPRING,FOLDING HANDLE	1	



ITEM	PART NUMBER	DESCRIPTION	QTY	COMMENTS
3-62	30936	NUT, M6xP1.0	2	
3-70	30854	ARM, BRAKE, (SMALL)	2	
3-72	30930	BRAKE PAD SET	1	
3-74	30855	BOLT	1	
3-75	30859	BOLT	1	
3-76	30853	ARM, BRAKE, (LARGE)	1	
3-77	30851	KIT, BRAKE ARM HDWE	1	
3-78	30852	KIT, BRAKE CABLE RECEIVER	1	
3-80	30856	WHEEL, BRAKE	1	
3-81	30860	WASHER	4	

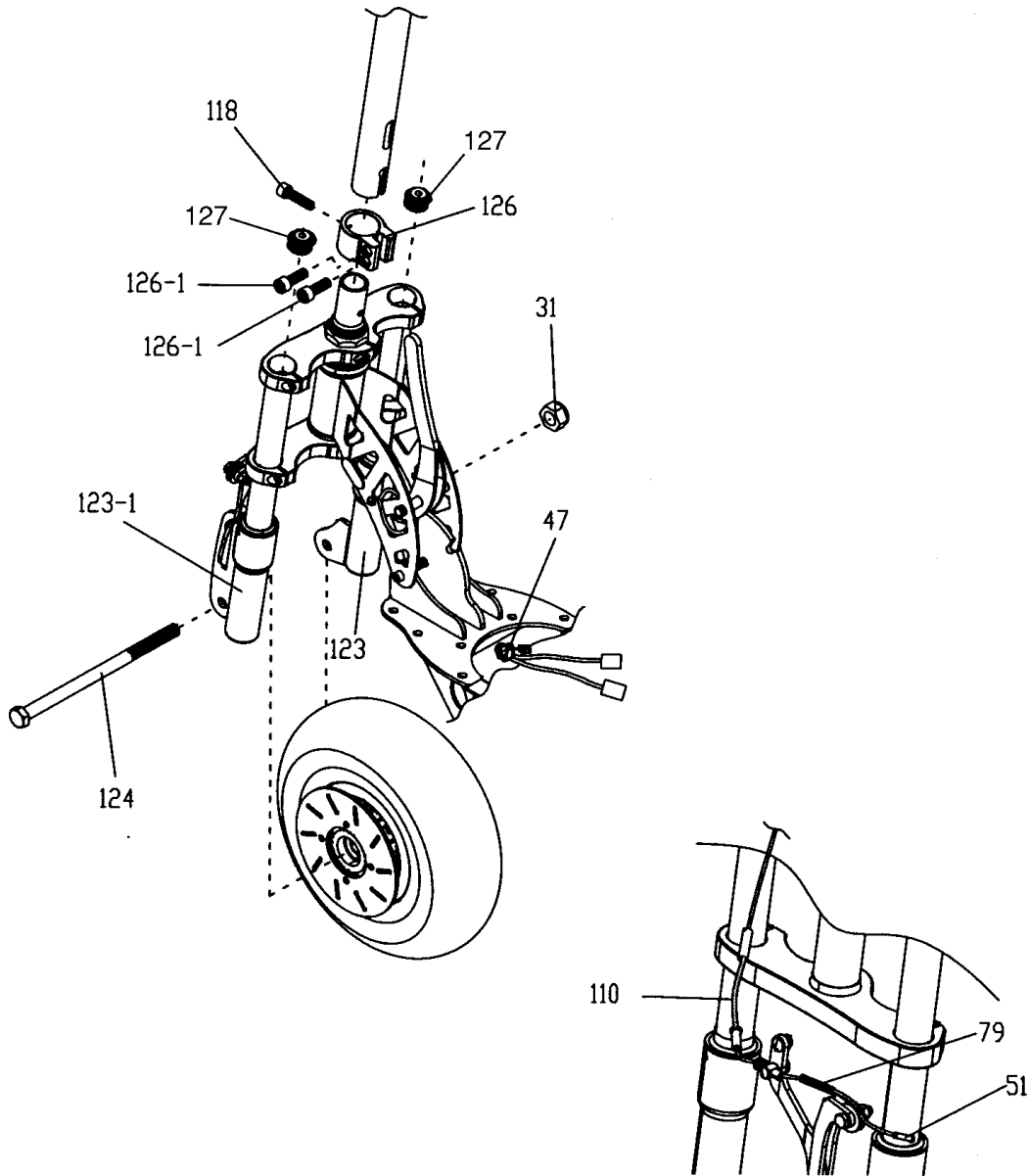


ITEM	PART NUMBER	DESCRIPTION	QTY	COMMENTS
4-22	30830	WASHER, SPRING M6	4	
4-57	31688	HUB, BILLET, FRONT, RIGHT	1	
4-58	30823	TIRE, 10"	1	
4-59	31689	HUB, BILLET, FRONT, LEFT	1	
4-60	31105	BOLT, M8xP1.25x30	4	
4-61	30883	BEARING, 6200-2RS	2	
4-64	31028	SPACER, FRONT WHEEL	1	
4-65	31685	DISC, BRAKE, XTR	1	
4-69	31106	BOLT, M6xP1.0x12	4	
4-98	30911	TUBE, TIRE	1	
4-112	31690	SPACER, FRONT WHEEL, 450EX	2	

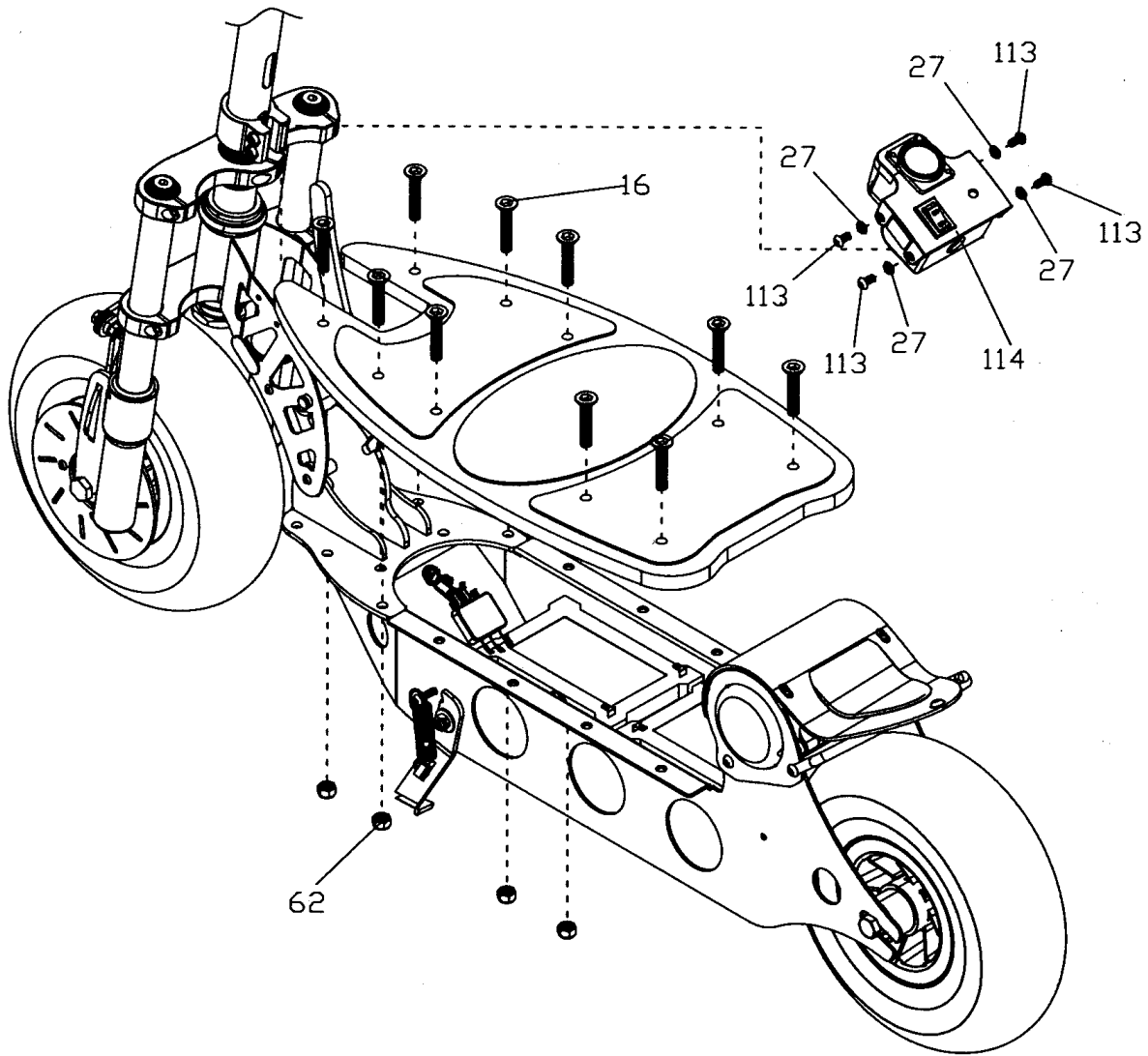


ITEM	PART NUMBER	DESCRIPTION	QTY	COMMENTS
5-6-1	31554	NUT,OCTAGON 1.25"	1	
5-123-8	31580	TRIPLE CLAMP,BOTTOM	1	
5-123-9	31581	TRIPLE CLAMP, TOP	1	
5-123-10	31671	HEAD BEARING KIT	1	
5-123-11	31730	SCREW,CHROME	5	

### FRONT WHEEL MOUNTING HARDWARE • FIGURE 6

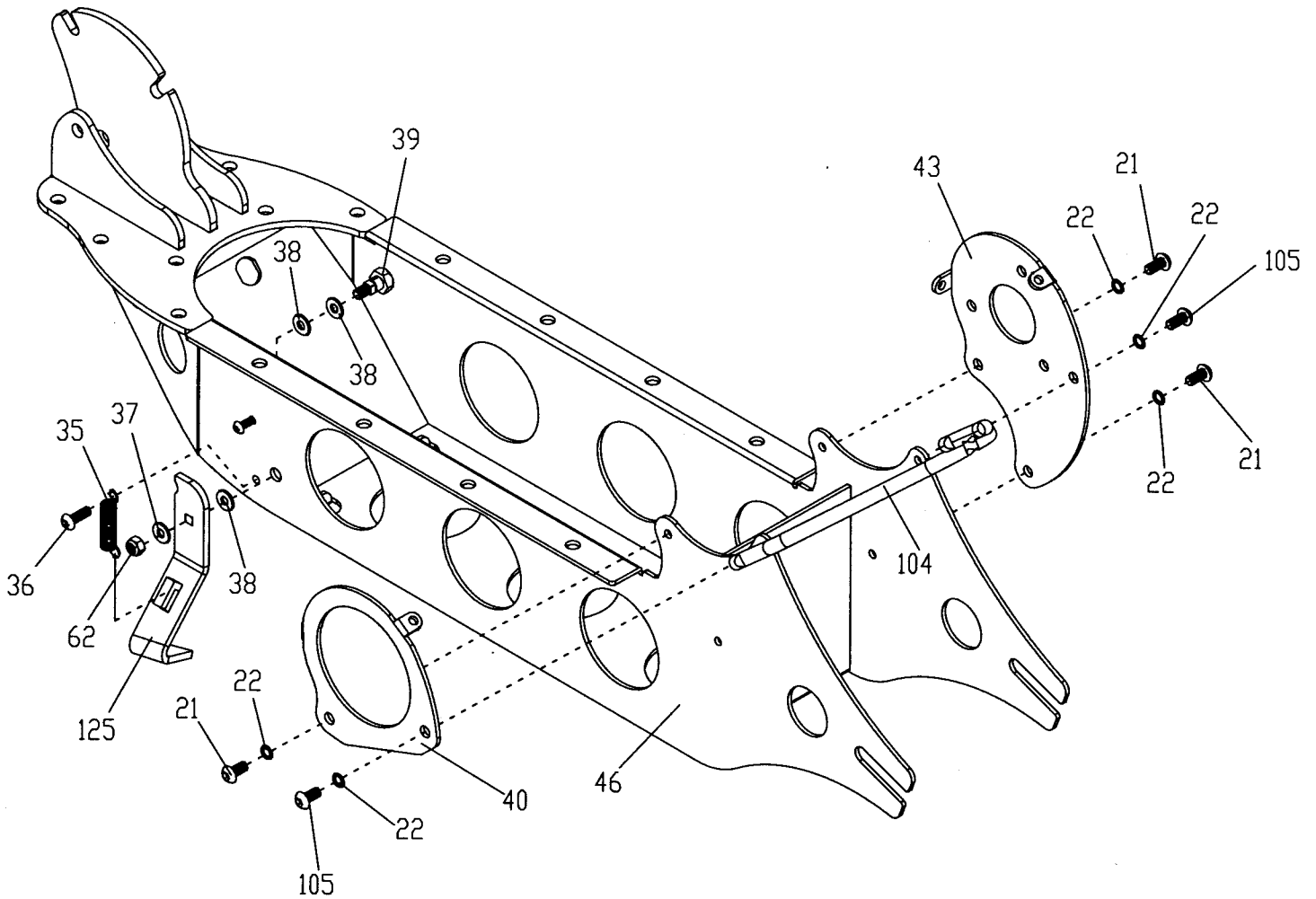


ITEM	PART NUMBER	DESCRIPTION	QTY	COMMENTS
6-31	30880	NUT,M10xP1.5	1	
6-47	31146	CORD,6P-4	1	
6-51	31082	CAP,CABLE END	1	
6-79	31080	SPRING,S-043	1	
6-110	31665	BRAKE WIRE CONDUIT	1	
6-118	31668	SCREW	1	
6-123	31572	SHOCK,(R)	1	Caution - Do not disassemble shocks! Extreme pressure and not serviceable!
6-123-1	31573	SHOCK,(L)	1	
6-124	31571	BOLT,M10xP1.5x160	1	
6-126	31569	HANDLE STEM CONNECTOR	1	
6-126-1	31669	SCREW	2	
6-127	31706	NUT, TOP, TRIPLE CLAMP	2	

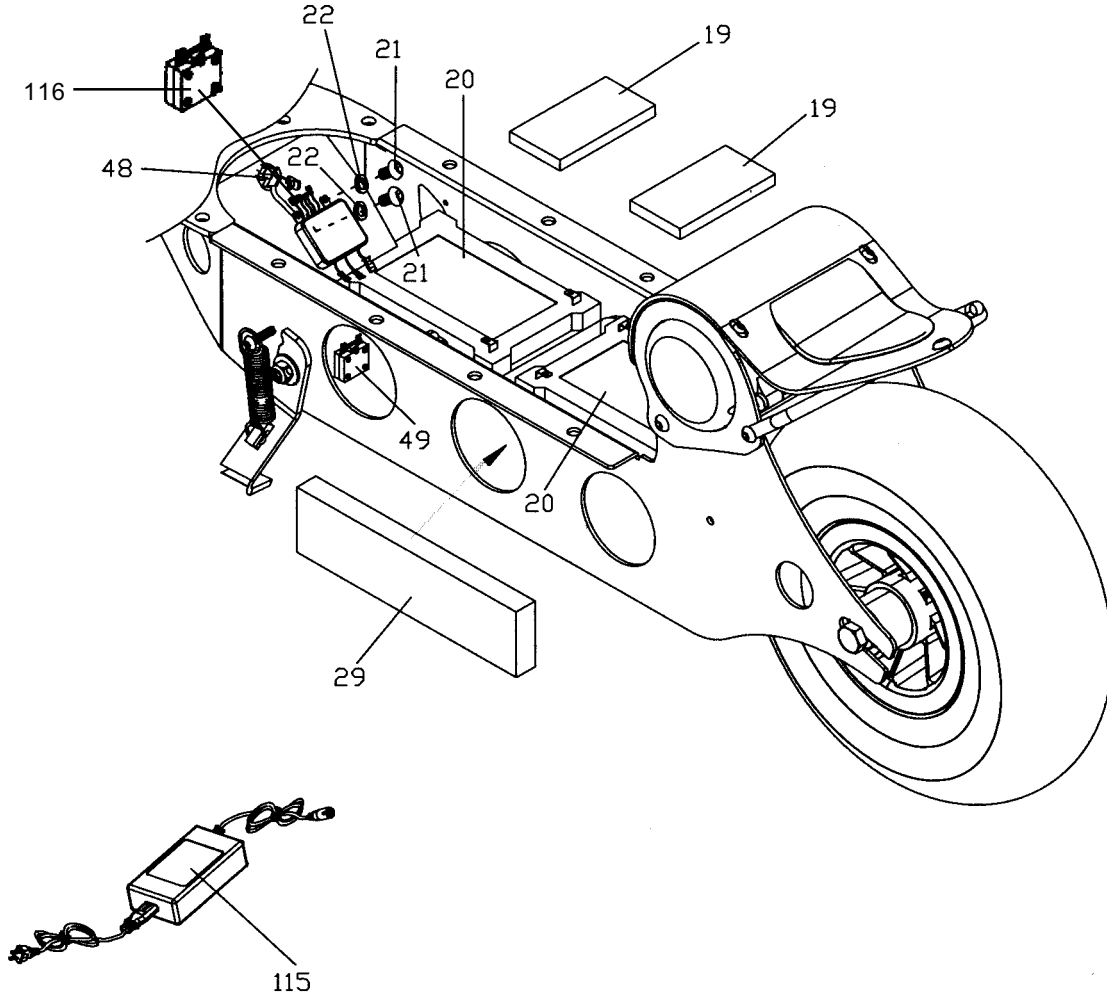


ITEM	PART NUMBER	DESCRIPTION	QTY	COMMENTS
7-16	31090	BOLT, M6xP1.0x25, FLT HD	10	
7-27	31121	WASHER, SPRING, M5	4	
7-62	30936	NUT, NYLON	10	
7-113	31707	SCREW, CONTROL PANEL	4	
7-114	31691	CONTROL PANEL, TPB-450EX	1	Switch not sold separately





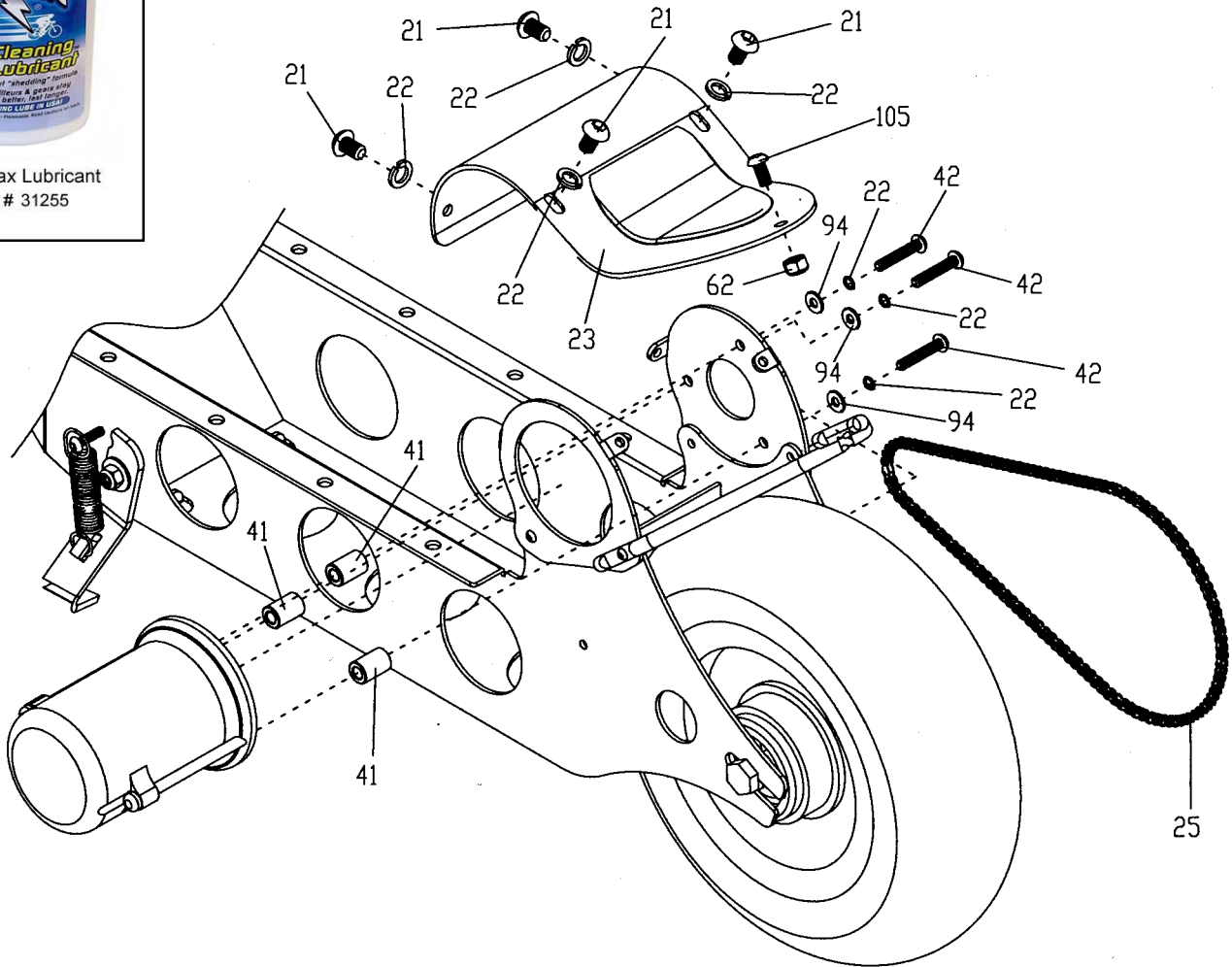
ITEM	PART NUMBER	DESCRIPTION	QTY	COMMENTS
8-21	31097	BOLT,M6xP1.0x10	3	
8-22	30830	WASHER,SPRING M6	5	
8-35	30811	SPRING,KICK STAND	1	
8-36	31383	BOLT,M6xP1.0x25,RD HD	1	
8-37	31124	WASHER	1	
8-38	31125	WASHER	3	
8-39	31692	BOLT,KICK STAND	1	
8-40	31387	PLATE,MOTOR,GREEN,(L)	1	
8-43	31388	PLATE,MOTOR,GREEN,(R)	1	
8-46	31389	FRAME,XTR,GREEN	1	
8-62	30936	NUT,M6xP1.0	1	
8-104	31152	BRACE,FENDER,XTR	1	
8-105	31132	BOLT,M6xP1.0x13	2	
8-125	30812	STAND,KICK	1	



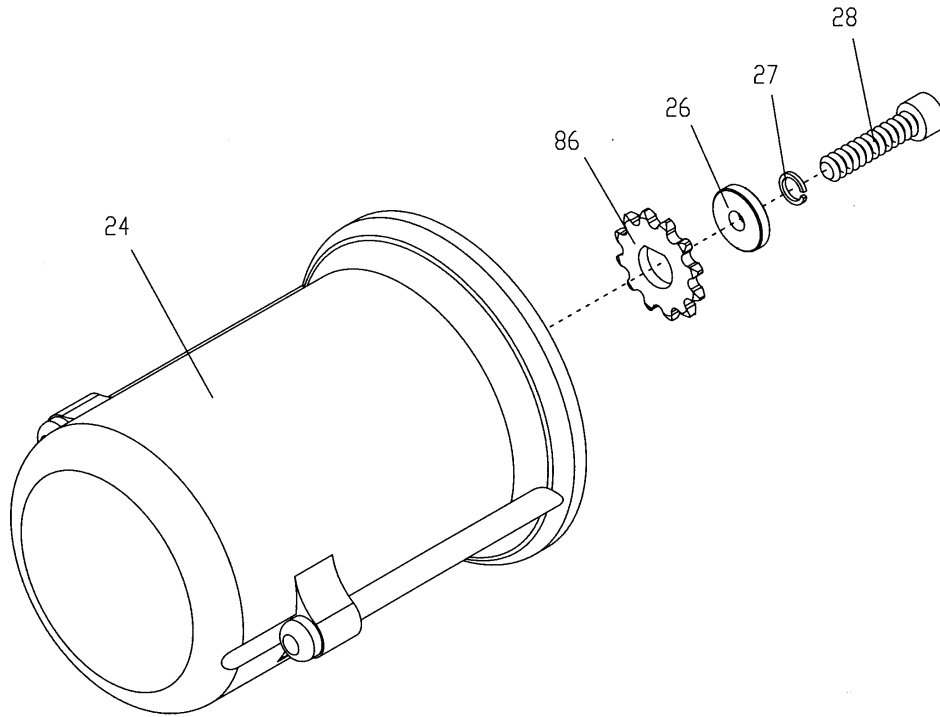
ITEM	PART NUMBER	DESCRIPTION	QTY	COMMENTS
9-19	30998	INSULATOR,BATTERY	2	
9-20	30987	BATTERY SET,XTR	1	2 batteries per set
9-21	31097	BOLT,M6xP1.0x10	2	
9-22	30830	WASHER,SPRING M6	2	
9-29	30997	INSULATOR,BATTERY	2	
9-48	31694	CONTROLLER,TPB-450EX	1	
9-49	30999	CIRCUIT BREAKER,BATTERIES	1	
9-115	30995	BATTERY CHARGER	1	
9-116	32083	CIRCUIT BREAKER,PCB	1	



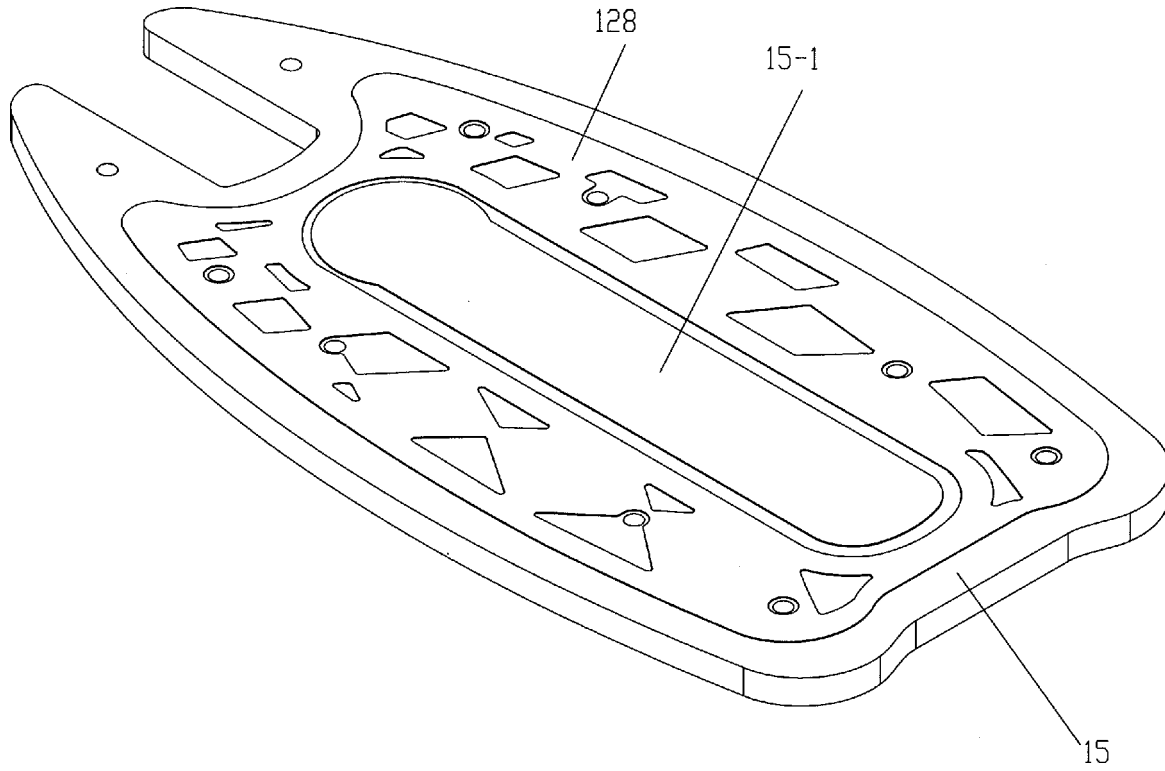
Chain Wax Lubricant  
Part # 31255



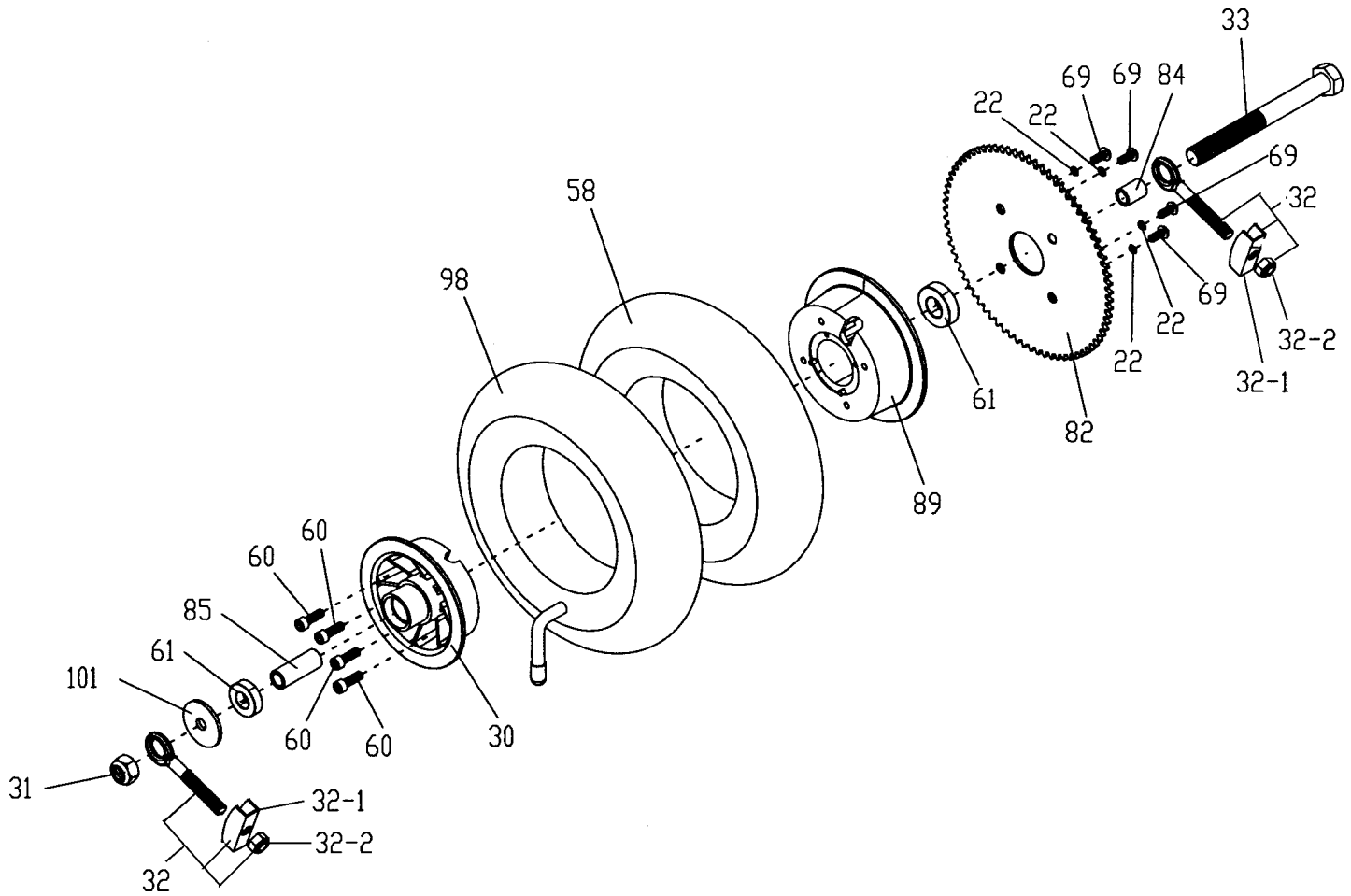
ITEM	PART NUMBER	DESCRIPTION	QTY	COMMENTS
10-21	31097	BOLT,M6xP1.0x10	4	
10-22	30830	WASHER,SPRING M6	7	
10-23	30996	FENDER,CHROME	1	
10-25	31000	CHAIN,DRIVE,XTR	1	
10-41	31149	SPACER,T-782	3	
10-42	31150	BOLT,M6xP1.0x35	3	
10-62	30936	NUT,NYLON,M6xP1.0	1	
10-94	31151	WASHER	3	
10-105	31132	BOLT,M6xP1.0x13	1	



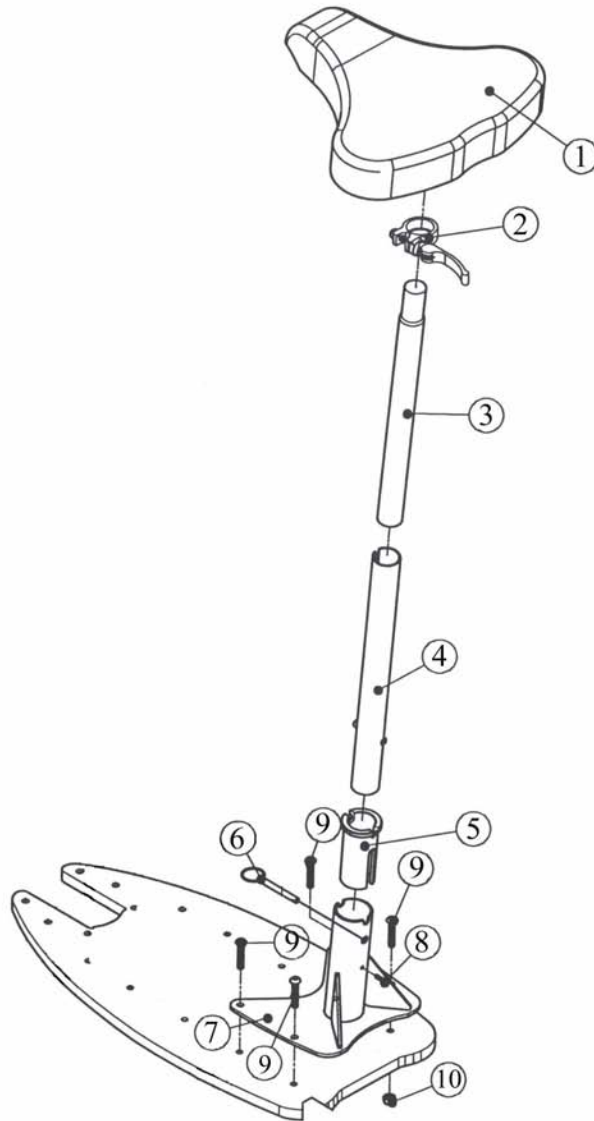
ITEM	PART NUMBER	DESCRIPTION	QTY	COMMENTS
11-24	30991	MOTOR ASSY	1	
11-26	31120	SPACER,T-810	1	
11-27	31121	WASHER,SPRING,M5	1	
11-28	30810	BOLT,M5xP0.8x15	1	
11-86	31122	SPROCKET,(SMALL),XTR	1	



ITEM	PART NUMBER	DESCRIPTION	QTY	COMMENTS
12-15	31013	DECK,WOOD,XTR	1	
12-15-1	31672	DECAL,DECK,PAVERUNNER	1	
12-128	31696	GRIP TAPE,PAVERUNNER	1	



ITEM	PART NUMBER	DESCRIPTION	QTY	COMMENTS
13-22	30830	WASHER, SPRING M6	4	
13-30	31697	HUB, BILLET, REAR, LEFT	1	
13-31	30880	NUT, M10xP1.5	1	
13-32	31110	SCREW, ADJUSTER	2	
13-32-1	31679	BASE, ADJUSTER	2	
13-32-2	31680	NUT, ADJUSTER	2	
13-33	31081	BOLT, M10xP1.5x145	1	
13-58	30823	TIRE, 10"	1	
13-60	31105	BOLT, M8xP1.25x30	4	
13-61	30883	BEARING, 6200-2RS	2	
13-69	31106	BOLT, M6xP1.0x12	4	
13-82	31111	SPROCKET, XTR	1	
13-84	31112	SPACER, REAR WHEEL	1	
13-85	31117	SPACER, T-918	1	
13-89	31698	HUB, BILLET, REAR, RIGHT	1	
13-98	30911	TUBE, TIRE	1	
13-101	31114	WASHER	1	



ITEM	PART NUMBER	DESCRIPTION	QTY	COMMENTS
	30984	SEAT KIT ASSEMBLY	1	
1	30975	SEAT,XTR,804	1	
2	30976	ADJUSTER,SEAT,XTR	1	
3	30977	PIPE,SEAT,UPPER	1	
4	30978	PIPE,SEAT,LOWER	1	
5	30979	COUPLER,SEAT STAND	1	
6	30982	PIN,LOCK	1	
7	30983	STAND,SEAT KIT	1	
8	30985	SCREW,SET	1	
9	30980	SCREW,SEAT KIT	4	
10	30981	NUT,SEAT KIT	4	