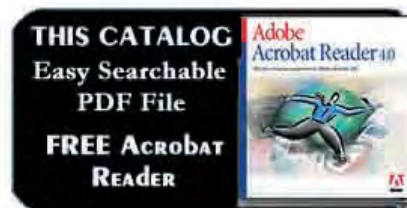


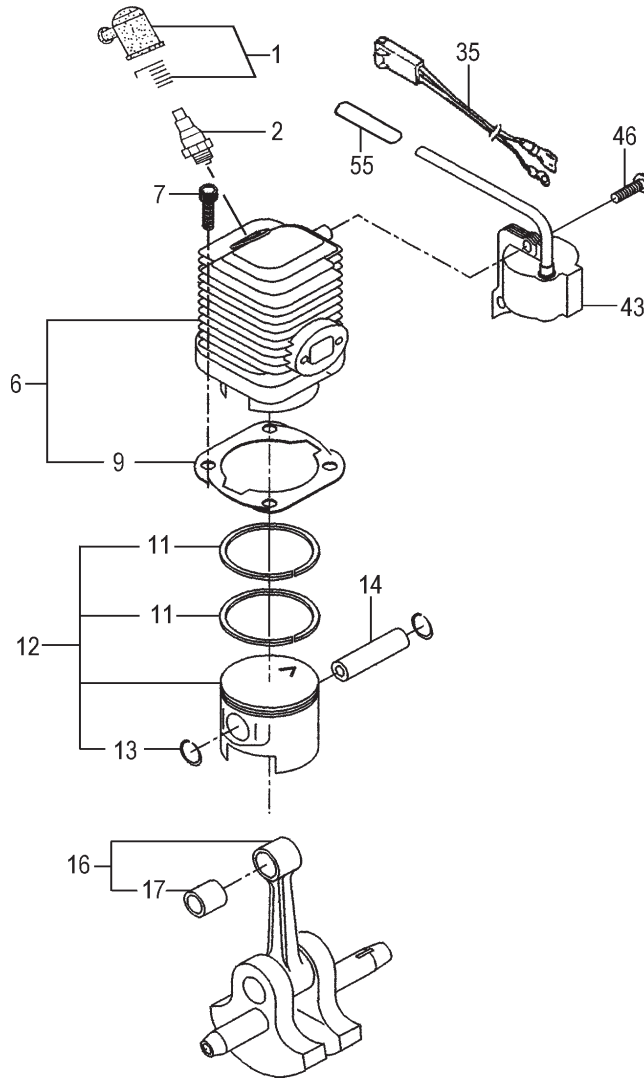
# **Tanaka** Illustrated Parts Manual

Model Number:  
**TPS-2501**  
**POLE SAW**

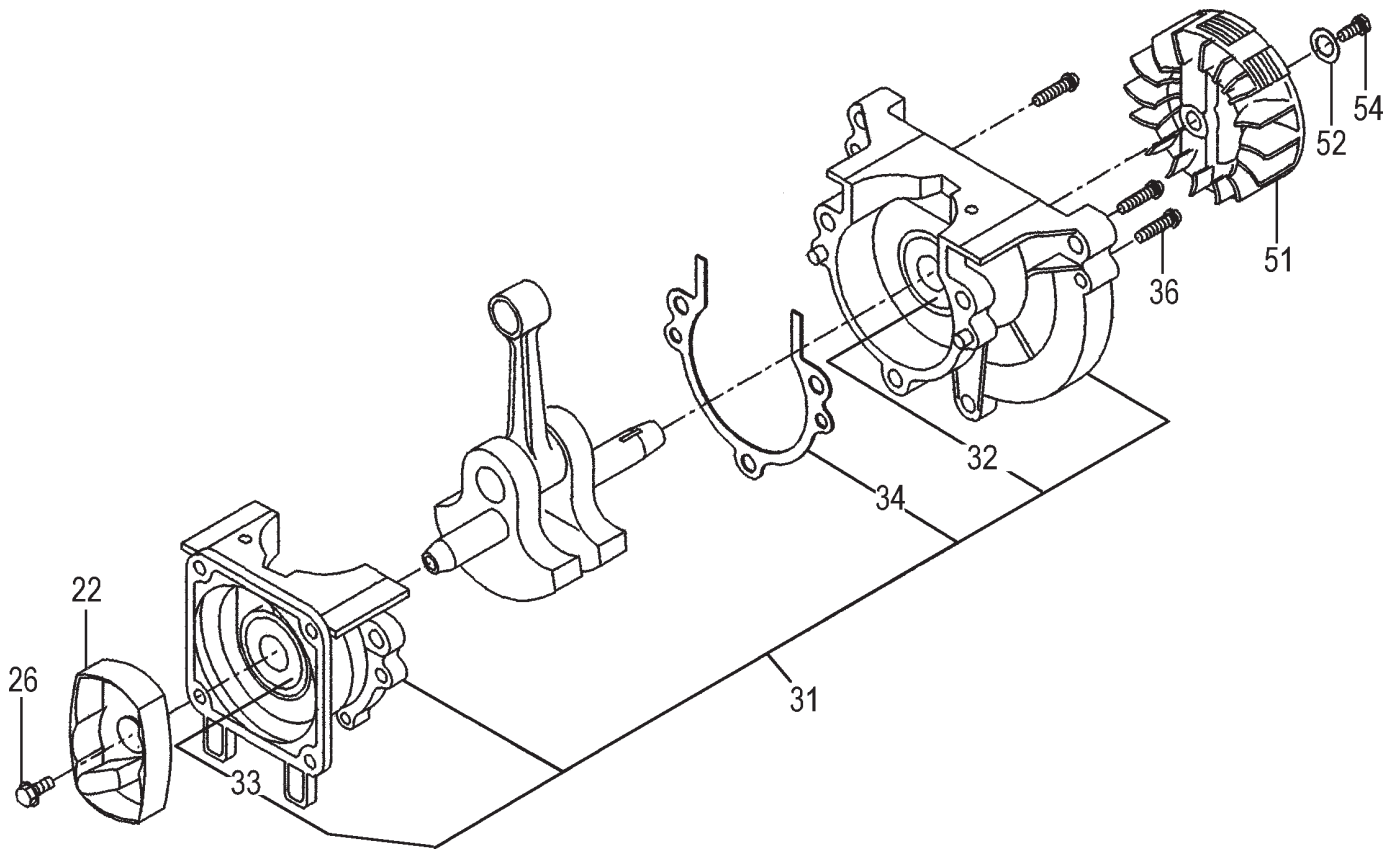
P/N 30246  
Rev 000  
Date 1-22-08



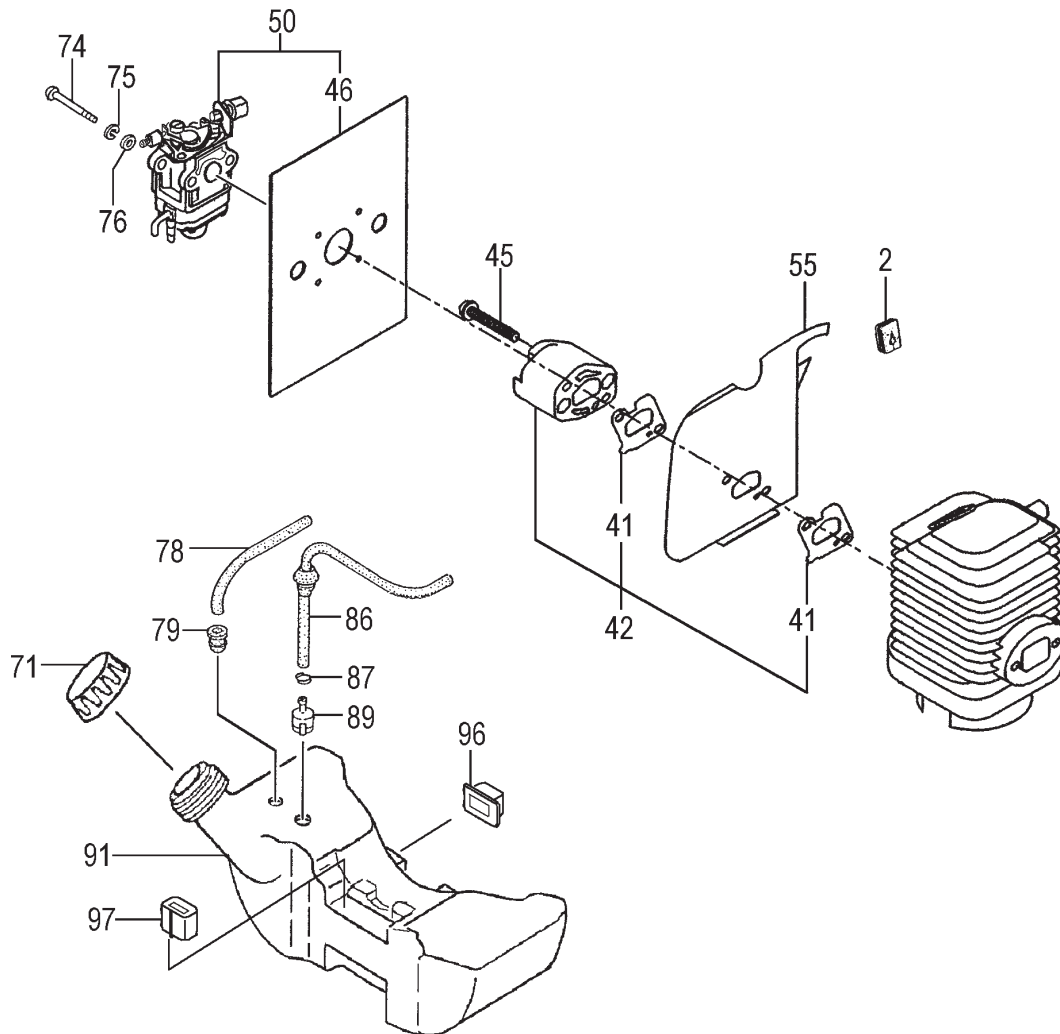
Nikko Tanaka Engineering U.S.A.,Ltd. • 1028 4<sup>th</sup> Street SW, Bldg B • Auburn, WA 98001 • Phone: (253) 333-1200 • Fax: (253) 333-1212



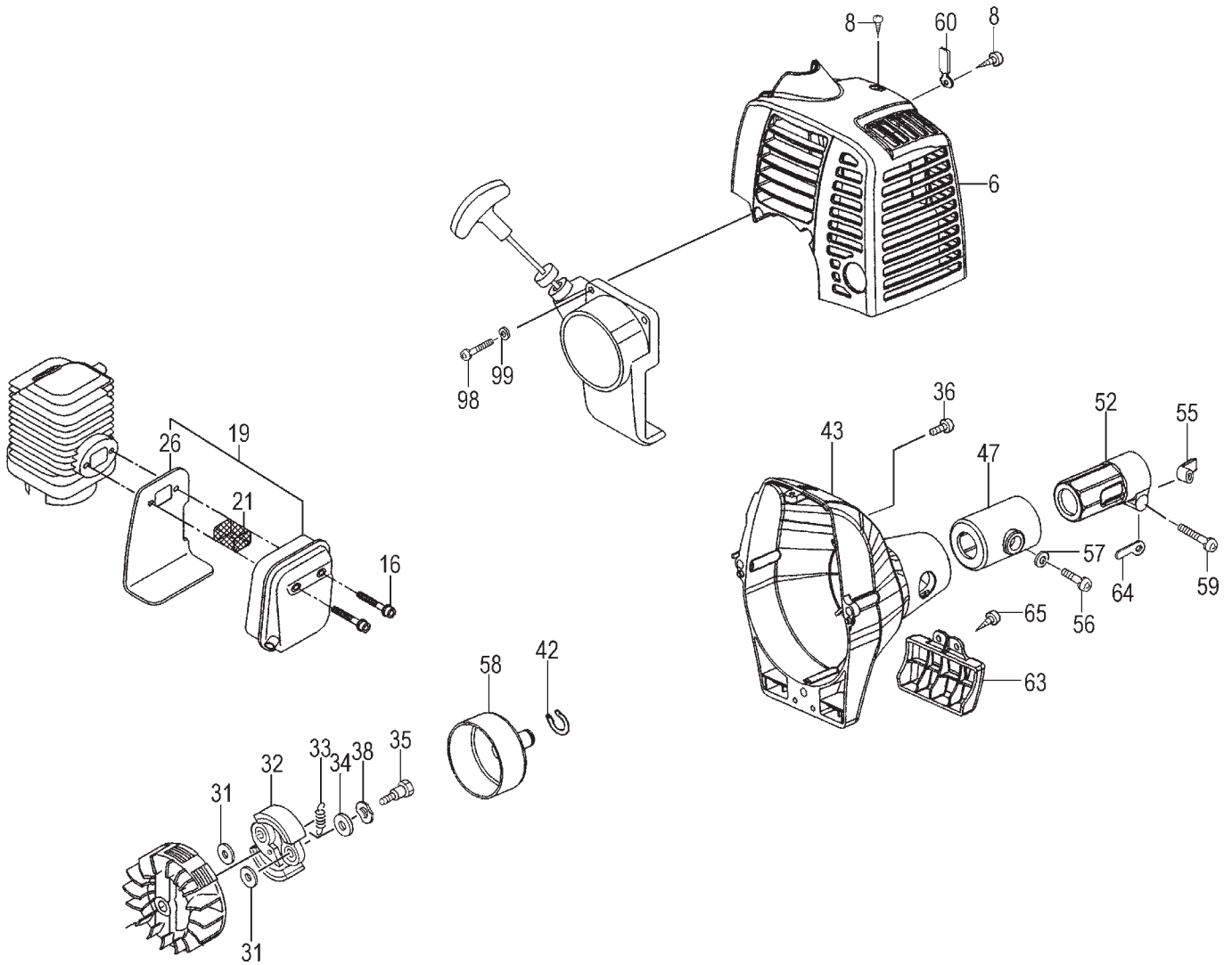
ITEM	PART NUMBER	DESCRIPTION	QTY	COMMENTS
1-1	15701570900	CAP, SPARK PLUG, ASS'Y	1	
1-2	01802233200	PLUG, SPARK	1	
1-6	0010706090	SET, CYLINDER	1	Includes cylinder gasket
1-7	99464050204	SCREW, 5X20, WS	2	
1-9	0170706020	GASKET, CYLINDER	1	
1-11	0410706020	RING, PISTON	2	
1-12	0300706590	SET, PISTON	1	W200471~ Includes rings, and circlips
1-12	0300706090	SET, PISTON	1	~W200470 Includes rings, and circlips
1-13	0390706020	CIRCLIP, PISTON PIN	2	
1-14	0370706020	PIN, PISTON	1	~W200470
1-14	0370706520	PIN, PISTON	1	W200471~
1-16	0460706090	CRANKSHAFT	1	
1-17	0890706080	BEARING, NEEDLE	1	
1-35	1780603180	CORD, B260M	1	
1-43	1670706080	COIL, IGNITION	1	
1-46	99416040201	SCREW, 4x20 WS	2	
1-55	2500706020	TUBE, INSULATOR	1	



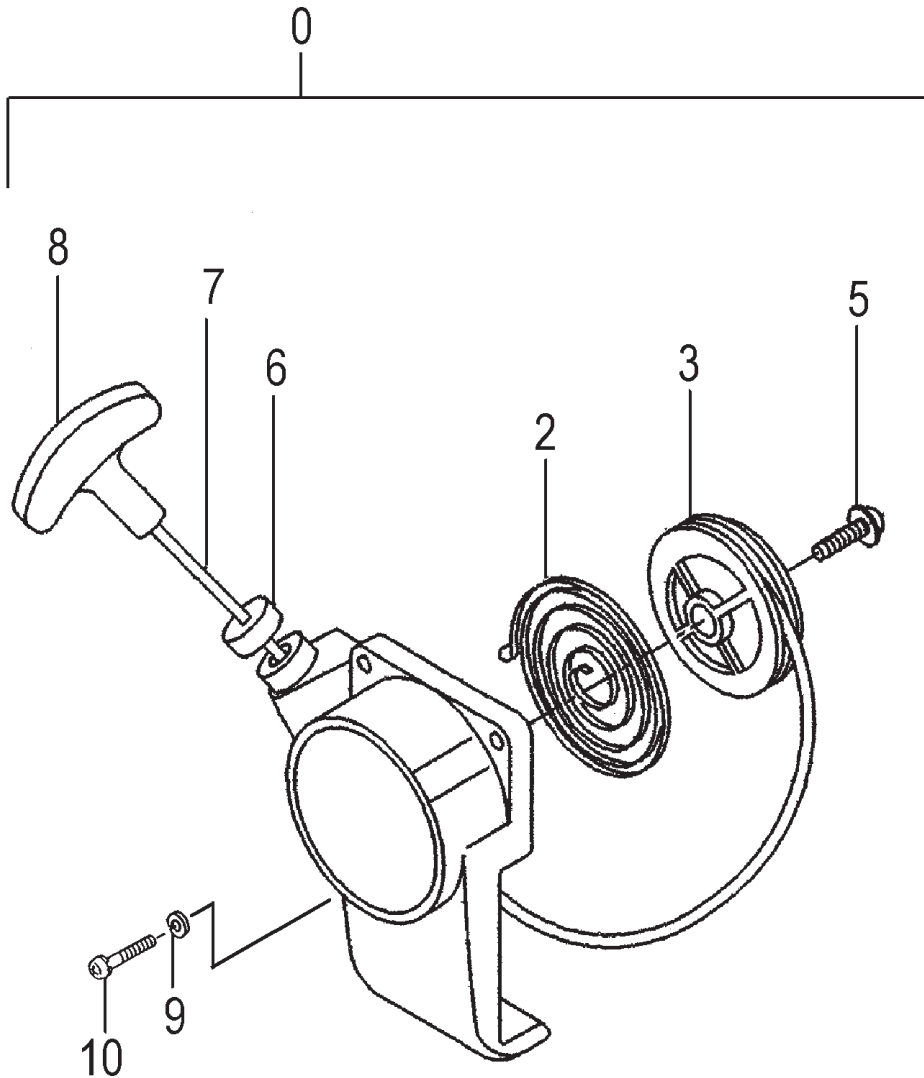
ITEM	PART NUMBER	DESCRIPTION	QTY	COMMENTS
2-22	7980706090	PULLEY, STARTER	1	
2-26	3800706080	BOLT, M6	1	
2-31	0720706090	CRANKCASE, ASS'Y	1	
2-32	99961600100	BEARING, BALL, #6001	2	
2-33	99966122272	SEAL, OIL 122245	2	
2-34	0900706020	GASKET, CRANKCASE	1	
2-36	99414050251	SCREW, 5X25	3	
2-51	1550706080	ROTOR, MAGNETO	1	
2-52	1820706020	WASHER, SPECIAL, M6	1	
2-54	99421060161	BOLT, 6X16S	1	



ITEM	PART NUMBER	DESCRIPTION	QTY	COMMENTS
3-2	2030706020	GROMMET	1	
3-41	4030706020	GASKET,INTAKE MANIFOLD	2	
3-42	4040706090	SET,INSULATOR	1	
3-45	99416050251	SCREW,5X25/S	2	
3-46	4020706020	GASKET,CARBURETOR	1	
3-50	4550706090	SET,CARBURETOR	1	
3-55	1320706020	SHIELD	1	
3-71	5950300290	CAP,TANK (BLACK/RED)	1	
3-74	99011050651	SCREW,5X65	2	
3-75	99210050012	WASHER,S,5	2	
3-76	99201050011	WASHER,5	2	
3-78	7000300507	PIPE,FUEL,3X5X75	1	
3-79	53432710200	GROMMET,FUEL PIPE	1	
3-86	2230162V900	PIPE,FUEL,ASS'Y	1	
3-87	68000731201	CLIP 6.3	1	
3-89	6750404280	FILTER,FUEL	1	
3-91	5910706080	TANK,FUEL	1	
3-96	65500940201	CUSHION,FUEL TANK	2	
3-97	6010706020	CUSHION,TANK	2	



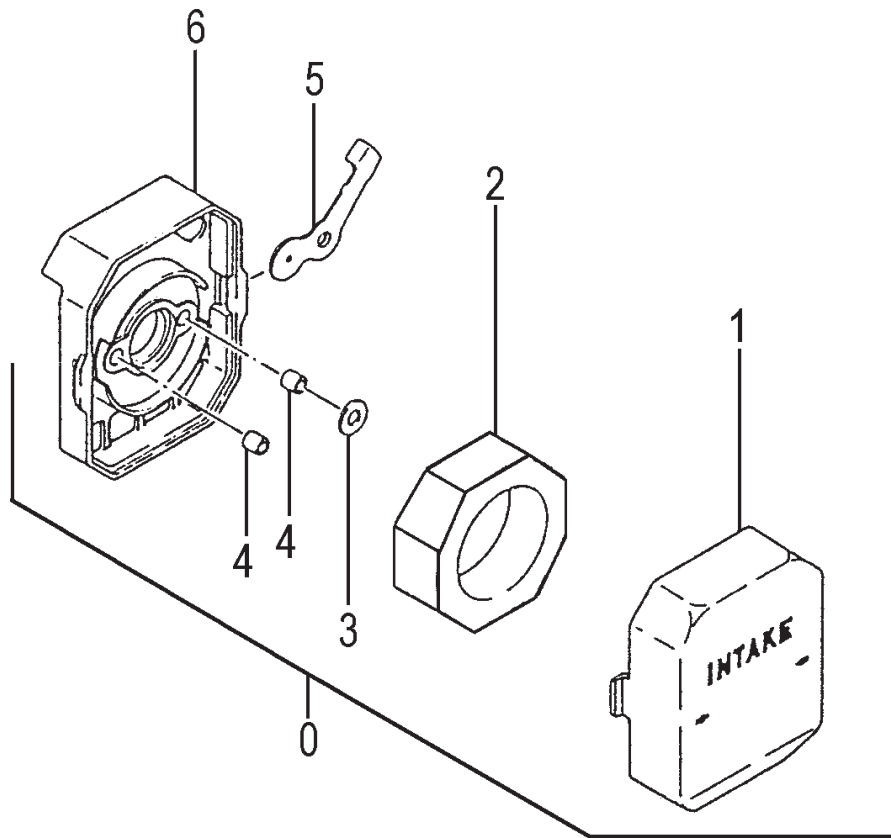
ITEM	PART NUMBER	DESCRIPTION	QTY	COMMENTS
4-6	7380706020	COVER,MUFFLER	1	
4-8	99073045104	SCREW,TAPPING,4.5X10	3	
4-16	99460050454	SCREW,5X45W	2	
4-19	7040706090	SET,MUFFLER	1	
4-21	7320706020	ARRESTOR,SPARK	1	
4-26	1330706020	SHIELD,HEAT	1	
4-31	35902103200	WASHER,CLUTCH,B	2	
4-32	29001620800	SHOE,CLUTCH	2	
4-33	3420630B200	SPRING,CLUTCH	1	
4-34	3480602R200	WASHER,CLUTCH A	2	
4-35	3570075T200	BOLT,STEP	2	
4-36	99416050162	SCREW,5X16/WS	3	
4-38	99205080030	WASHER,8	2	
4-42	99350012002	RING,STOP,C-12 EX	1	
4-43	1120706081	CASE,FAN	1	
4-47	5990098021	CUSHION,RUBBER	1	
4-52	3600099020	HOLDER,PIPE	1	
4-55	3610099020	FITTING,METAL	1	
4-56	99051050163	BOLT,HEX,5X16	1	
4-57	99201050061	WASHER,5	1	
4-58	2890706080	SHAFT,CLUTCH	1	
4-59	99461050254	BOLT,HEX HOLE,5X25S	1	
4-60	19805015800	CLAMP,CORD	1	
4-63	9410706020	STAND	1	
4-64	3243735020	WASHER,GEAR CASE	1	
4-65	99073045124	SCREW,TAPPING,4.5X12	2	
4-98	99461050204	BOLT,HEX,HOLE,5X20,S	2	
4-99	99200050061	WASHER,SMALL,5	2	



### 748733

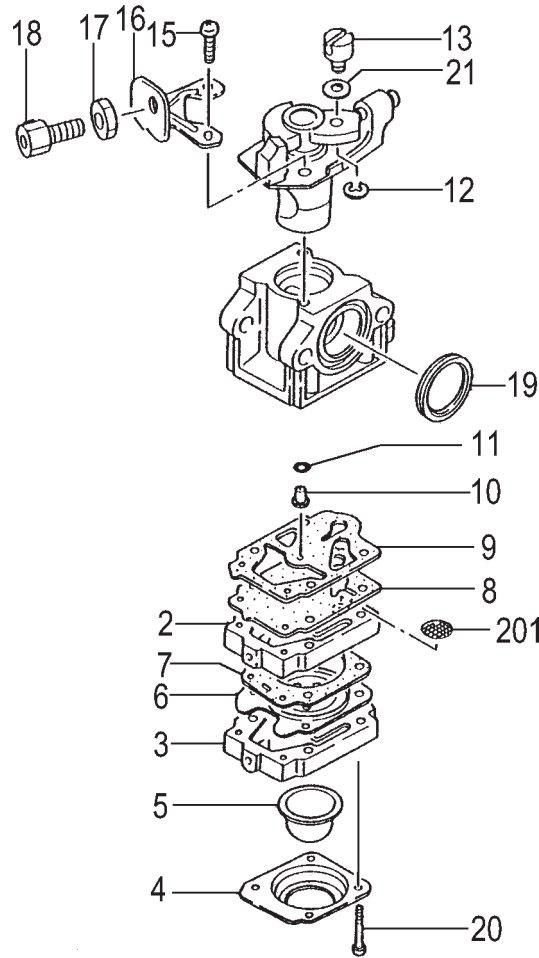


ITEM	PART NUMBER	DESCRIPTION	QTY	COMMENTS
5-0	7620706090	STARTER,RECOIL ASS'Y	1	
5-2	7790706020	SPRING,RECOIL	1	
5-3	7740706020	PULLEY,STARTER	1	
5-5	8390706020	BOLT,SET	1	
5-6	7800706020	GUIDE,ROPE	1	
5-7	7830706020	ROPE,STARTER	1	
5-8	7850706020	HANDLE,STARTER	1	
5-9	99200050061	WASHER,SMALL,5	2	
5-10	99461050204	BOLT,HEX,HOLE,5X20,S	2	

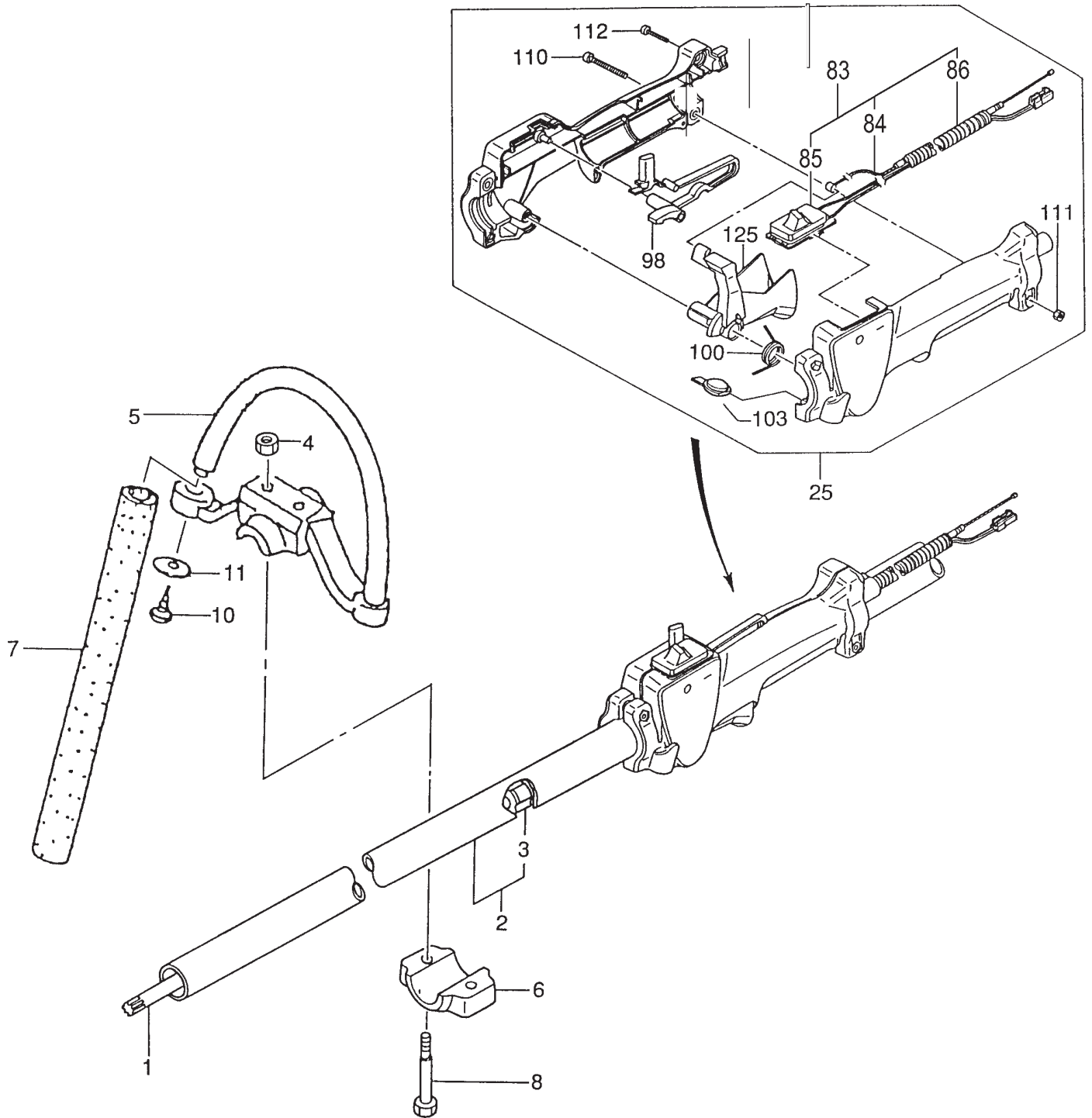


ITEM	PART NUMBER	DESCRIPTION	QTY	COMMENTS
6-0	4100650D90	AIR CLEANER ASSY	1	
6-1	4240602K201	CAP,CLEANER	1	
6-2	4460602K200	ELEMENT,CLEANER	1	
6-3	4530602K200	COLLAR	1	
6-4	47000025200	COLLAR	2	
6-5	5280635A200	PLATE,CHOKE	1	
6-6	4230072Z81	BODY,CLEANER	1	





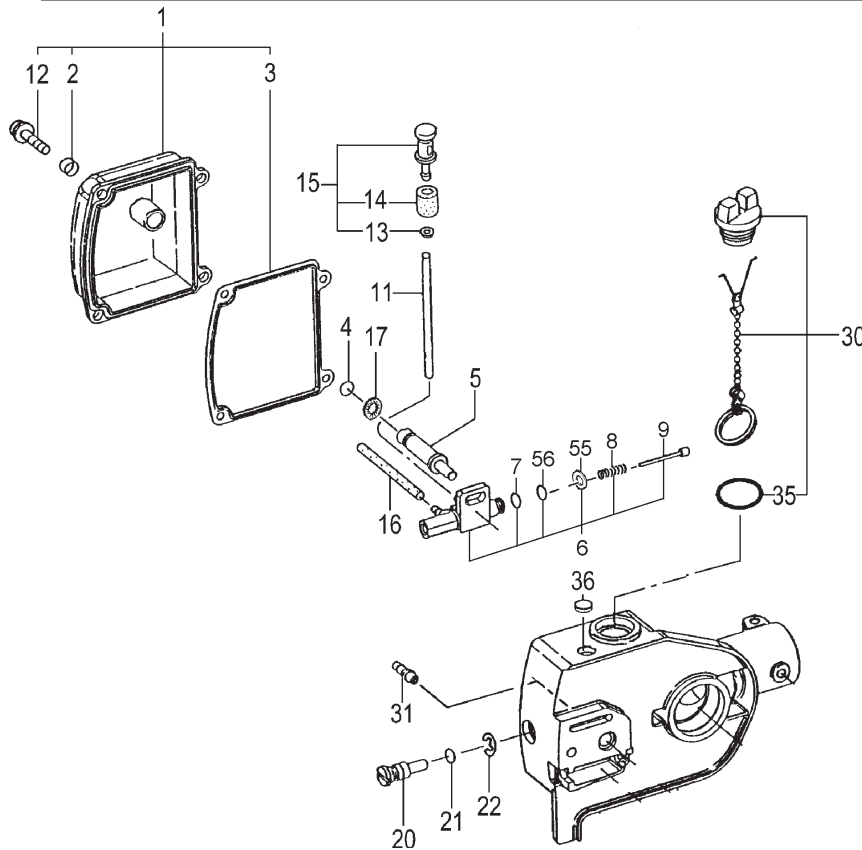
ITEM	PART NUMBER	DESCRIPTION	QTY	COMMENTS
	4550706090	SET,CARBURETOR	1	Includes carburetor gasket
7-2	5752515380	BODY,PUMP	1	
7-3	4422515180	PUMP,PRIMING	1	Carburetor Repair Kit - 650-25124-900
7-4	4762515120	COVER,DIAPHRAGM	1	Gasket/Diaphragm Kit - 652-25124-900
7-5	44725108200	BULB,PRIMING	1	
7-6	~ ~ ~	DIAPHRAGM	1	
7-7	~ ~ ~	GASKET,DIAPHRAGM	1	~ Contained in Carb Kits
7-8	~ ~ ~	DIAPHRAGM,PUMP	1	
7-9	~ ~ ~	GASKET,PUMP	1	
7-10	5992000W430	JET,MAIN,#43	1	
7-11	55025100200	O-RING	1	
7-12	48925100200	RING,STOP	1	
7-13	53925120200	SWIVEL	1	
7-15	51425100200	SCREW,THROTTLE SET	2	
7-16	54425164200	STAY,ADJUST,CABLE	2	
7-17	99101060013	NUT,6	1	
7-18	61425137200	ADJUSTER,CABLE	1	
7-19	4310634C200	GASKET,CLEANER	1	
7-20	5482515120	SCREW,SET	4	
7-21	5492516520	WASHER,THRUST	1	
7-201	57825007200	SCREEN,INLET	1	



## HANDLE, THROTTLE LEVER, SHAFT • FIGURE 8

ITEM	PART NUMBER	DESCRIPTION	QTY	COMMENTS
8-1	3433234620	SHAFT,DRIVE	1	
8-2	3413230480	PIPE,DRIVE SHAFT	1	
8-3	34737601900	BUSHING	6	
8-4	99101060041	NUT,6	2	
8-5	5003728620	HANDLE	1	
8-6	50637300200	BRACKET,HANDLE,A	1	
8-7	5033738E20	GRIP,HANDLE	1	
8-8	99023060351	BOLT,6X35 PLUS	2	
8-10	99311052012	SCREW,TAPPING 5X20	1	
8-11	36832350200	WASHER,BRAKE SHAFT	1	
8-25	8703840290	LEVER,THROTTLE ASS'Y	1	
8-83	8853840080	WIRE,THROTTLE W/SWITCH	1	
8-98	2533840020	LEVER,SAFETY	1	
8-100	8323840020	SPRING,RETURN	1	
8-103	3223840020	GROMMET	1	
8-110	99431050203	SCREW 5X20	2	
8-111	99101050043	NUT,5	2	
8-112	9934604020	SCREW, 4X20	4	
8-125	8803840020	LEVER,THROTTLE	1	

### OIL PUMP, CAP, FILTER • FIGURE 9



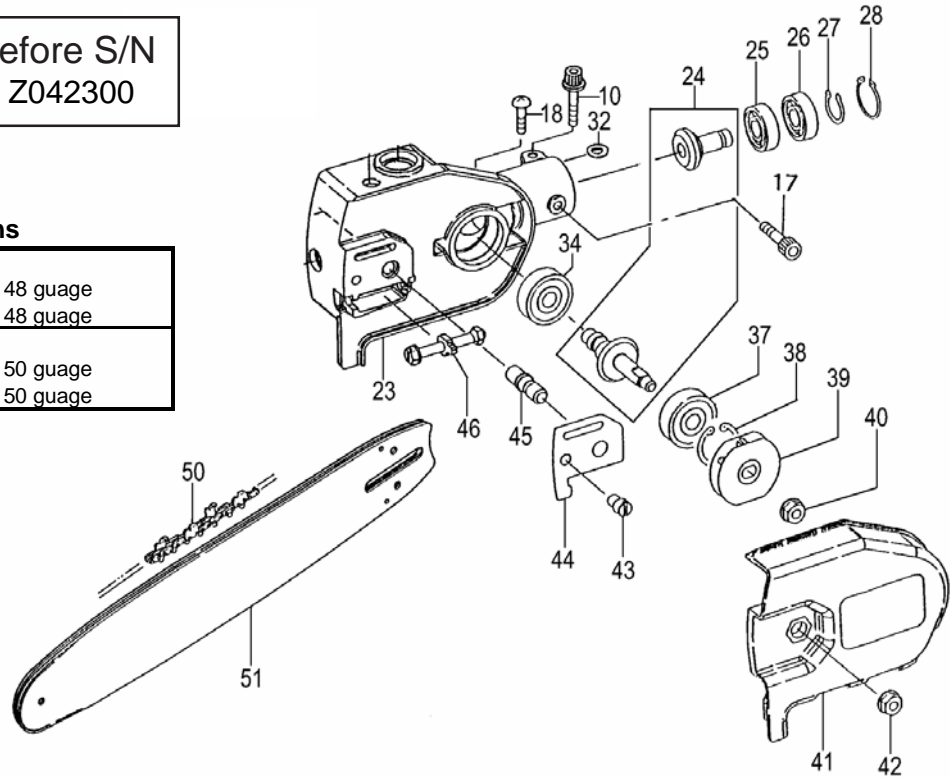
ITEM	PART NUMBER	DESCRIPTION	QTY	COMMENTS
9-1	0413230400	OIL TANK COVER SET	1	
9-2	0313230420	COLLAR 3	4	
9-3	4223230421	GASKET,OIL TANK	1	
9-4	99967005000	O-RING,P5	1	
9-5	3823230420	BOLT,STEP,A	1	
9-6	1443230490	OIL PUMP ASSY	1	
9-7	99967005000	O-RING,P5	1	
9-8	4493230420	SPRING,OIL PUMP	1	
9-9	0733230481	PISTON,OIL PUMP	1	
9-11	7005300506	PIPE,FUEL 3X5X60	1	
9-12	99416040121	SCREW,4X12	4	
9-13	99201050011	WASHER,5	1	
9-14	48732712201	FILTER,OIL	1	
9-15	4863234590	FILTER ASSY,FINE MESH	1	
9-16	7005300507	PIPE,FUEL 3X5X75	1	
9-17	9923008000	NUT,PUSH	1	Y161651~
9-20	5013230421	ADJUSTER,OIL PUMP	1	
9-21	99967005000	O-RING,P5	1	
9-22	99355060001	RING,STOP,6	1	
9-30	6243230492	CAP,OIL TANK	1	
9-31	0823230420	BANJO,OIL PUMP	1	
9-35	99967015000	O-RING,P15	1	
9-36	5660406320	COVER,AIR VENT	1	~U231876
9-55	99201020011	WASHER,2	1	V196951~
9-56	99967001413	O-RING	1	V196951~

### SIDE COVER, SPROCKET, BAR & CHAIN • FIGURE 10

Before S/N  
Z042300

#### Bar & Chain Options

N/A	10" Bar & Chain Kit	
110.32304.20	10" Bar	48 guage
127.32304.20	10" Chain	48 guage
Part No 844001	12" Bar & Chain Kit	
120SDEA041	12" Bar	50 guage
91VG045X	12" Chain	50 guage

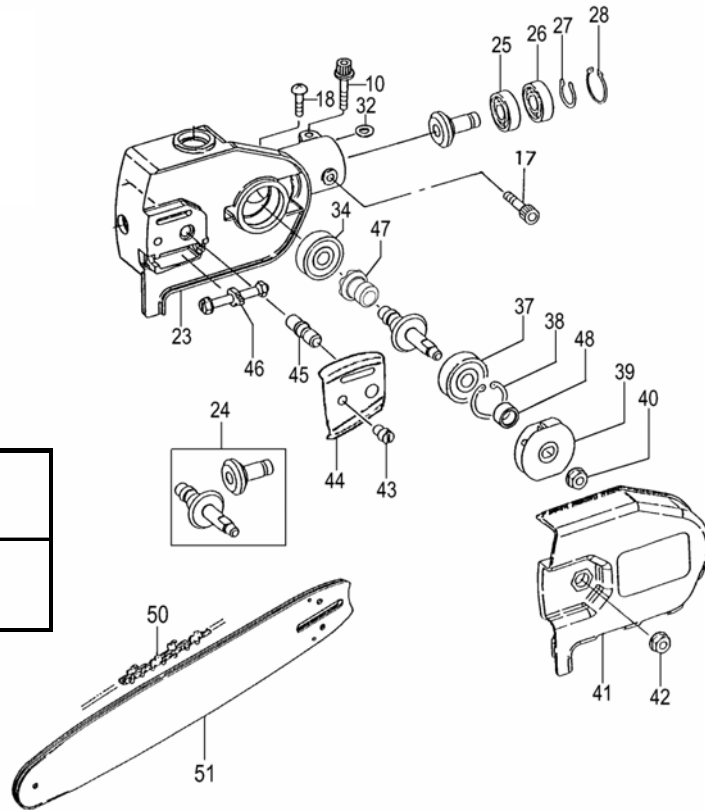


ITEM	PART NUMBER	DESCRIPTION	QTY	COMMENTS
10-10	99461050224	BOLT,HEX HOLE 5x22/S	1	
10-17	99051050103	BOLT,HEX.HOLE,5X10	1	
10-18	99011060061	SCREW,6X6	1	~V095519
10-18	99431060081	SCREW,6X8	1	V095520~
10-23	0193230420	CASE,GEAR	1	~U231876
10-23	0193230422	CASE,GEAR	1	U231877~
10-24	3013230400	SET,GEAR,PINION	1	
10-25	99961609000	BEARING,BALL,#609	1	
10-26	99961609002	BEARING,BALL,#609Z	1	
10-27	99350009002	RING,STOP,C9	1	
10-28	99351024002	RING,STOP,C-24,IN	1	
10-32	78600601200	WASHER,RECOIL STARTER	1	
10-34	99961608000	BEARING,BALL,#608	1	
10-37	99961638002	BEARING,BALL 638Z	1	
10-38	99351028002	RING,STOP,IN,C-28	1	
10-39	3193230480	SPROCKET,3/8	1	
10-40	99182060001	NUT,FLANGE,6	1	
10-41	0393230480	COVER,SIDE	1	
10-42	12132600200	NUT,CLAMP,BAR	1	
10-43	1223230420	PIN,KNOCK,GUIDE BAR	1	
10-44	4613230420	PLATE,GUIDE	1	
10-45	1013230420	BOLT,GUIDE BAR	1	
10-46	1163230490	TENSIONER,CHAIN	1	
10-50	1273230420	CHAIN,10"	1	
10-51	1103230420	BAR,10"	1	

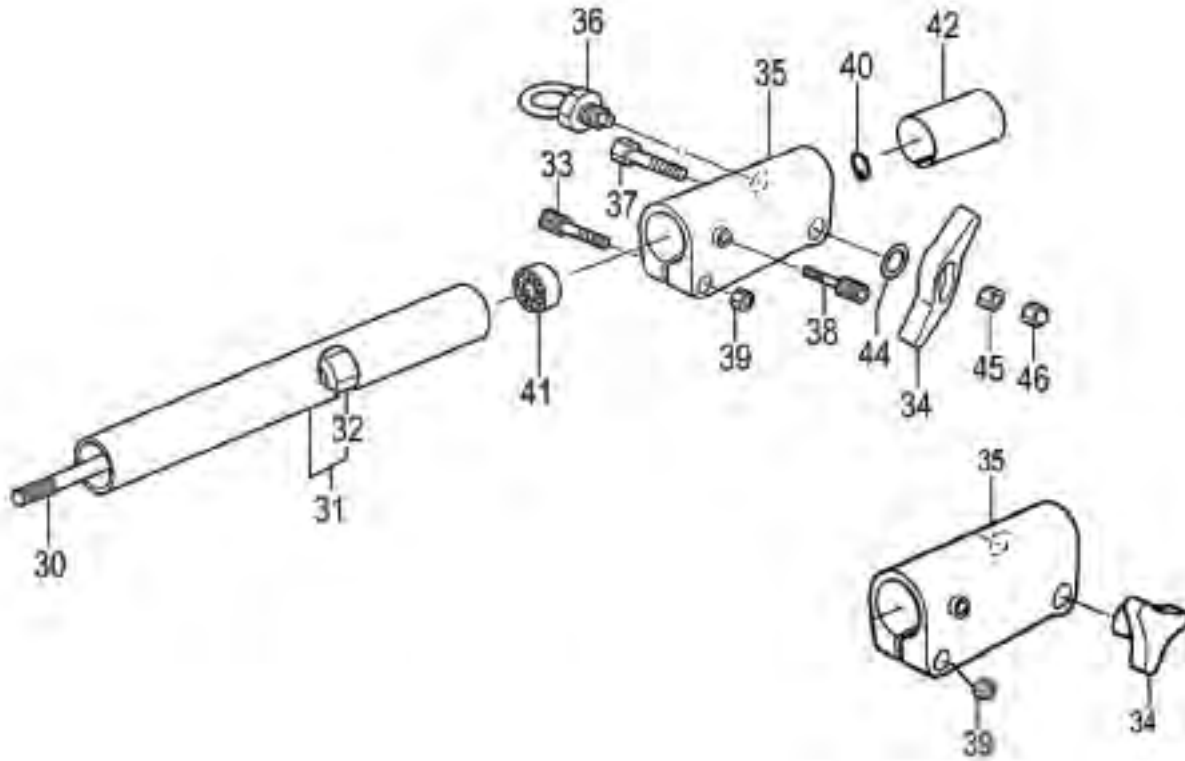
After Serial Number  
Z042301

#### Bar & Chain Options

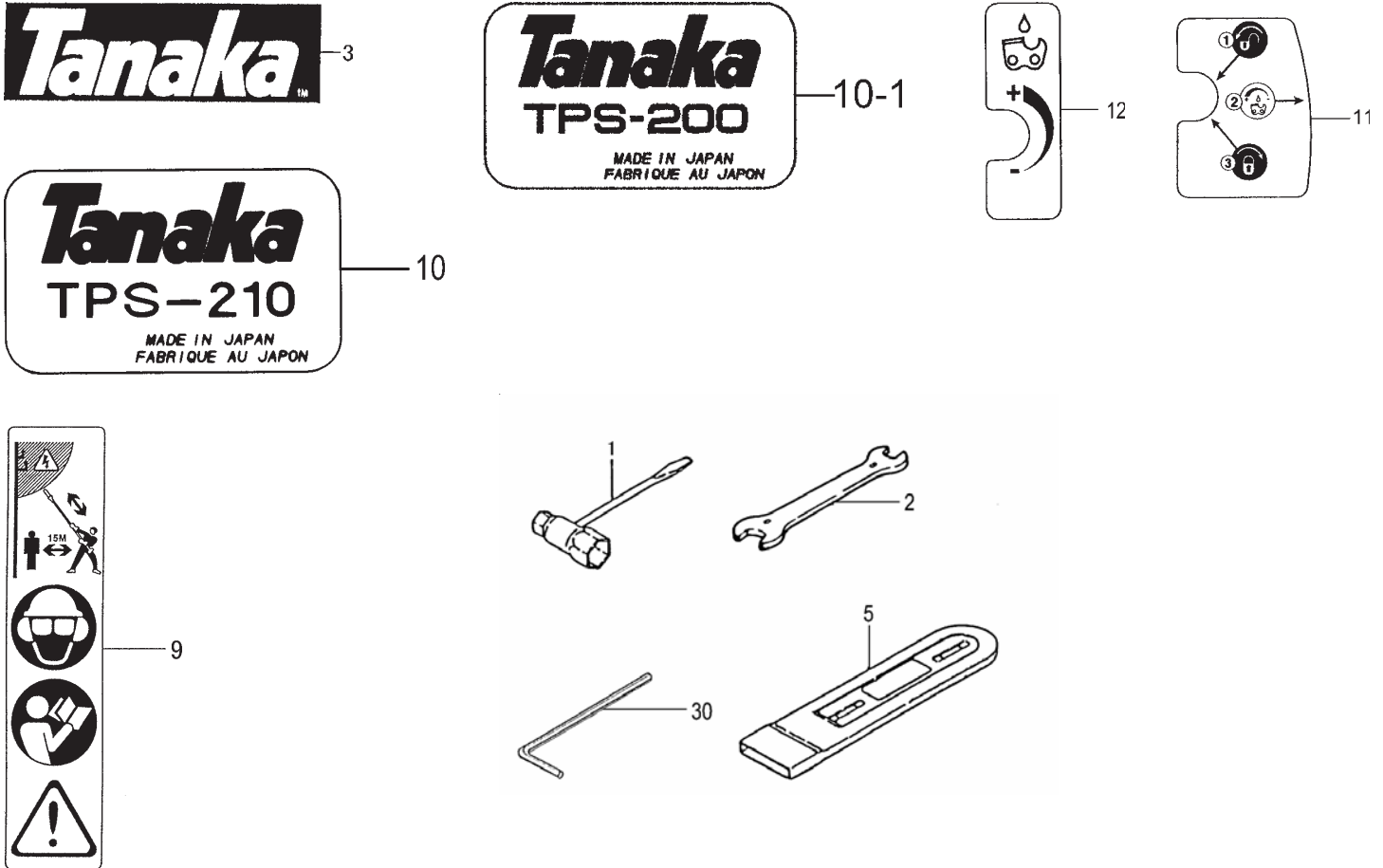
N/A	10" Bar & Chain Kit	
110.32304.20	10" Bar	48 guage
127.32304.20	10" Chain	48 guage
Part No 844001	12" Bar & Chain Kit	
120SDEA041	12" Bar	50 guage
91VG045X	12" Chain	50 guage



ITEM	PART NUMBER	DESCRIPTION	QTY	COMMENTS
11-10	99461050224	BOLT,HEX HOLE 5x22/S	1	
11-17	99051050103	BOLT,HEX.HOLE,5X10	1	
11-18	99431060081	SCREW,6X8	1	
11-23	0193230422	CASE,GEAR	1	
11-24	3013234400	GEAR & PINION SET	1	
11-25	99961609000	BEARING,BALL,#609	1	
11-26	99961609002	BEARING,BALL,#609Z	1	
11-27	99350009002	RING,STOP,C9	1	
11-28	99351024002	RING,STOP,C-24,IN	1	
11-32	78600601200	WASHER,RECOIL STARTER	1	
11-34	99961627000	BEARING,BALL	1	
11-37	99961638002	BEARING,BALL 638Z	1	
11-38	99351028002	RING,STOP,IN,C-28	1	
11-39	3193230480	SPROCKET,3/8	1	
11-40	99182060001	NUT,FLANGE,6	1	
11-41	0393230480	COVER,SIDE	1	
11-42	12132600200	NUT,CLAMP,BAR	1	
11-43	1223234421	KNOCK PIN	1	
11-44	4613234420	PLATE,GUIDE	1	
11-45	1013234421	BOLT,CHAIN TIGHTENING	1	
11-46	1163230490	TENSIONER,CHAIN	1	
11-47	4523234420	CAM	1	
11-48	0313234420	COLLAR	1	
11-50	1273230420	CHAIN,10"	1	
11-51	1103230420	BAR,10"	1	

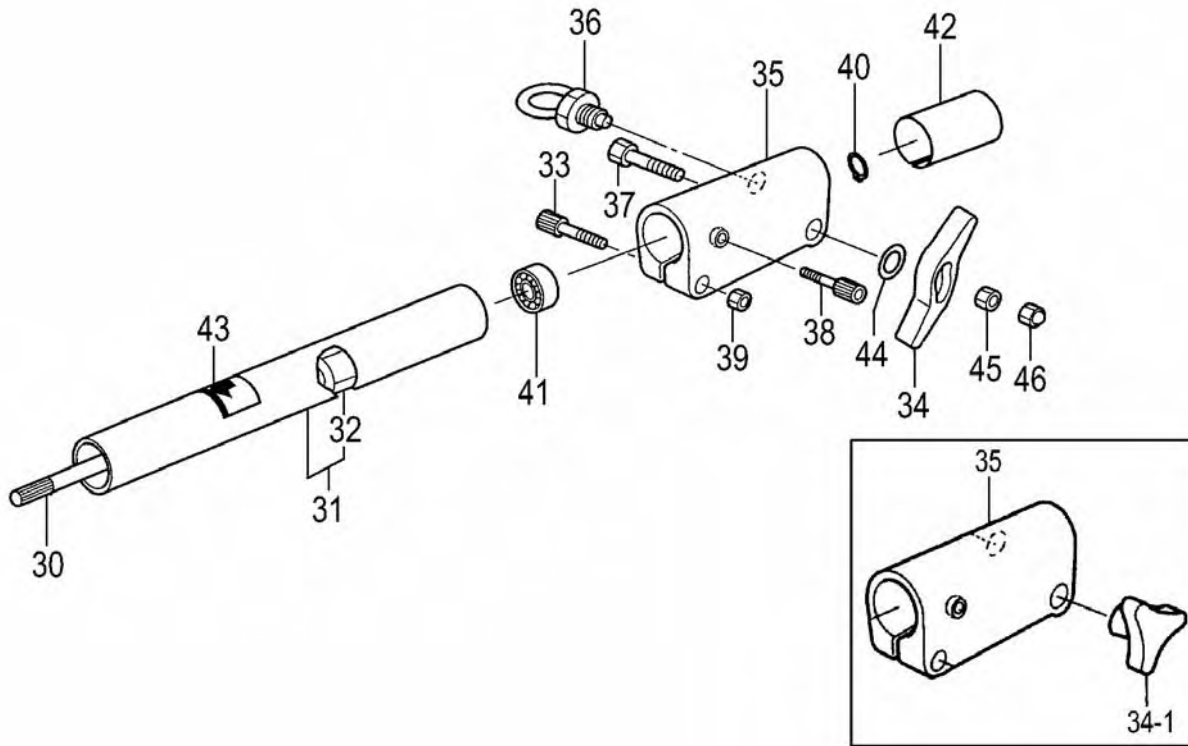


ITEM	PART NUMBER	DESCRIPTION	QTY	COMMENTS
12-30	3433233180	SHAFT,DRIVE	1	
12-31	3413233180	PIPE,DRIVE SHAFT	1	
12-32	34737601900	BUSHING	1	
12-33	99461050254	BOLT,HEX HOLE,5X25S	1	
12-34	5123370081	KNOB,HANDLE	1	Before S/N V021700
12-34	5123338P20	KNOB,HANDLE	1	S/N V021701 and after
12-35	2803233120	CASE,JOINT	1	
12-36	3523233180	PIN,LOCK	1	
12-37	99021060351	BOLT,6X35	1	Before S/N V021700
12-37	99021060501	BOLT,6X50	1	S/N V021701 and after
12-38	99051050103	BOLT,HEX.HOLE,5X10	1	
12-39	99101050041	NUT,5	1	
12-40	99350010002	RING,STOP,C-10 EX	1	
12-41	99961690001	BEARING,BALL,#6900ZZ	1	
12-42	34833130200	COLLAR,B	1	
12-44	35902103200	WASHER,CLUTCH,B	1	S/N V021701 and after
12-45	99101060011	NUT,6	1	S/N V021701 and after
12-46	99143060023	NUT,6	1	S/N V021701 and after



ITEM	PART NUMBER	DESCRIPTION	QTY	COMMENTS
13-1	88332600200	SPANNER,COMBO	1	
13-2	80120000200	SPANNER,8X10	1	V095520~
13-3	91505015200	DECAL,SYMBOL	1	
13-5	9413233320	COVER,BAR,10",BLACK	1	
13-9	9073230420	DECAL	1	
13-10	9293249820	DECAL,TPS-210	1	Z042301~
13-10-1	9293233120	DECAL,SYMBOL,TPS-200	1	~Z042300
13-11	9223234520	DECAL,OIL ADJUSTMENT	1	
13-12	9213234520	DECAL,OIL	1	
13-30	81320000200	WRENCH,HEX,4	1	





ITEM	PART NUMBER	DESCRIPTION	24"	36"	COMMENTS
14-30	3433233180	SHAFT,DRIVE	1		
14-30	3433003980	SHAFT,DRIVE		1	
14-31	3413230881	PIPE,DRIVE SHAFT	1		~9085369
14-31	3413230882	PIPE,DRIVE SHAFT	1		9085370~
14-31	3413003980	PIPE,DRIVE SHAFT		1	
14-32	3473730090	BUSHING ASSY	1		
14-32	3473730090	BUSHING ASSY		2	
14-33	99461050254	BOLT,HEX HOLE,5X25S	1	1	
14-34-1	5123370081	KNOB,HANDLE	1		~5004220
14-34	5123338P20	KNOB,HANDLE	1	1	5004221~
14-35	2803233122	COUPLING,TPS	1	1	
14-36	3523233180	PIN,LOCK	1	1	
14-37	99021060351	BOLT,6X35	1		~5004220
14-37	99021060504	BOLT,6X50	1	1	5004221~
14-38	99051050103	BOLT,HEX.HOLE,5X10	1	1	
14-39	99101050041	NUT,5	1	1	
14-40	99350010002	RING,STOP,C-10 EX	1	1	
14-41	99961690001	BEARING,BALL,#6900ZZ	1	1	
14-42	3483313020	COLLAR,B	1	1	
14-43	92337400200	DECAL,LEVEL	1	1	
14-44	3590210320	WASHER,CLUTCH,B	1	1	
14-45	99101060011	NUT,6	1	1	5004221~
14-46	99142060012	NUT,CAP 6	1	1	5004221~

# S · START KIT

	Order Number
A --- TBC2501/D, TPH2501, TPS-2501, TPE2501	748733
B --- TBC230/230B/230D	748744
C --- TBC290/290D/340/340D	748732

