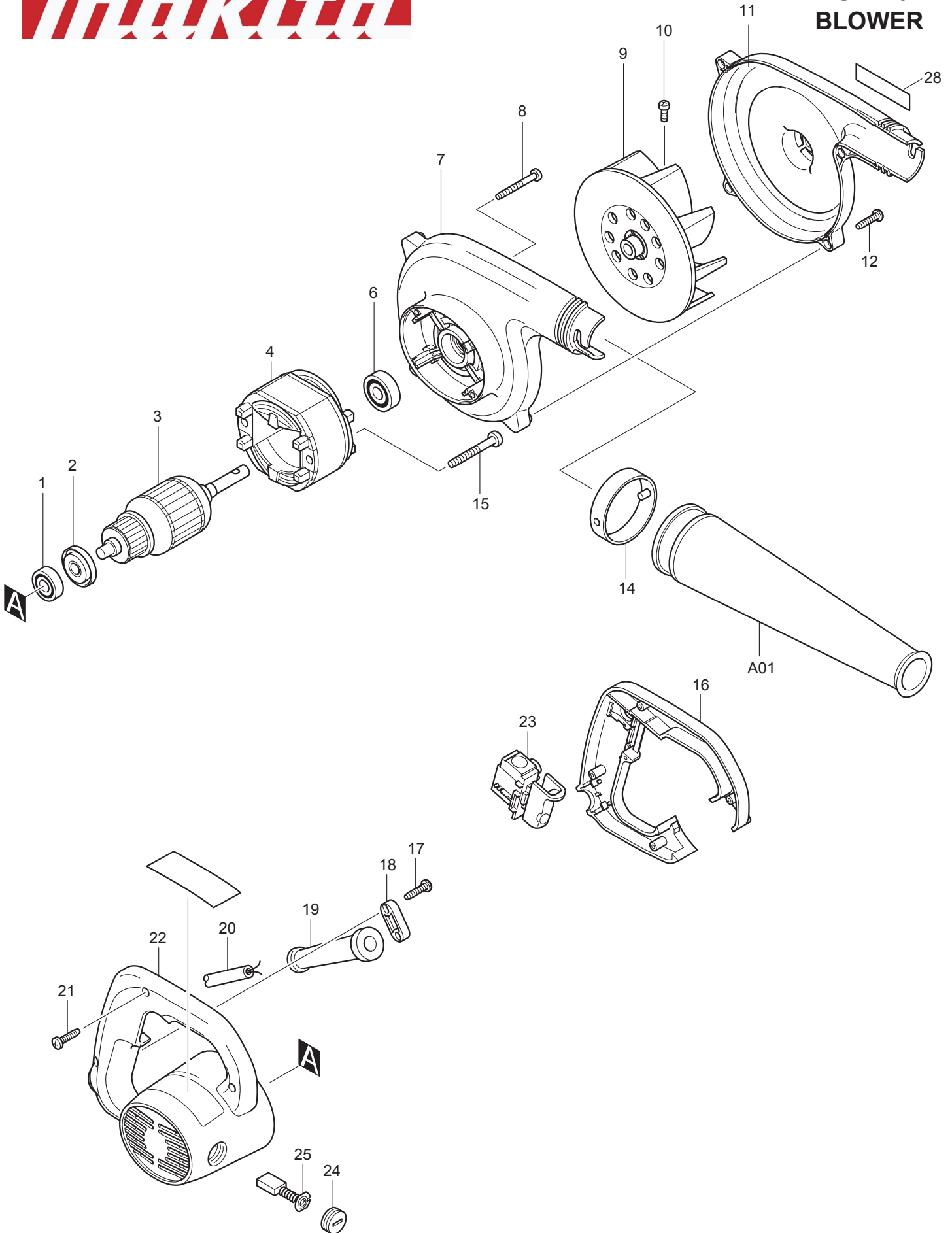




11 - 2010
UB1101
BLOWER



Item No.	Type	Sub Part No.	Description	Qty	Unit
1		210005-4	BALL BEARING 608DDW	1	PC.
2		681644-1	INSULATION WASHER	1	PC.
3		516476-6	ARMATURE ASS'Y 115V	1	PC.
4		INC. 594436-8	Item No. 1, 2, 6 FIELD ASS'Y 115V	1	PC.
		INC. 654020-2	RING TERMINAL	2	PC.
		INC. 654501-6	CONNECTOR P-1.25	2	PC.
6		211092-6	BALL BEARING 629DDW	1	PC.
7		152902-7	FAN HOUSING COMPLETE	1	PC.
8		266053-1	TAPPING SCREW 4X35	4	PC.
9		241888-1	FAN 110	1	PC.
10		911117-3	PAN HEAD SCREW M4X12	1	PC.
11	1	183389-2	FAN COVER	1	PC.
		INC. 417655-8	Item No. 28 FAN COVER		
	2	265995-6	TAPPING SCREW 4X18	4	PC.
12		414145-2	JOINT	1	PC.
14		266211-9	TAPPING SCREW 5X40	2	PC.
15		417657-4	HANDLE COVER	1	PC.
16		265995-6	TAPPING SCREW 4X18	2	PC.
17		687063-9	STRAIN RELIEF	1	PC.
18		682502-4	CORD GUARD 8-85	1	PC.
19		664891-9	CORD W/PLUG 2P-18-2.5M, SJ	1	PC.
20		265995-6	TAPPING SCREW 4X18	4	PC.
21		152903-5	MOTOR HOUSING COMPLETE	1	PC.
22		INC. 643708-9	BRUSH HOLDER 5-11	2	PC.
23		651298-8	SWITCH (TRIGGER)	1	PC.
24		643755-0	HOLDER CAP	2	PC.
25	1	191963-2	CARBON BRUSH CB-303 2PCS/SET (W/O ORIGIN) - N/L/A	1	SET
	2	194996-6	CARBON BRUSH CB-303 2PCS/SET (W/ ORIGIN)	1	SET
28		819063-3	MAKITA LABEL	1	PC.

ACCESSORIES

A01		132025-7	NOZZLE ASS'Y	1	PC.
		INC. 122321-1	Item No. 14 DUST BAG ASS'Y	1	PC.
A02		INC. 191750-9	Item No. A06 FLEXIBLE HOSE SET	1	SET
A03		192236-6	ANCHOR NOZZLE	1	PC.
A04		134182-7A	NOZZLE ASS'Y (LONG)	1	PC.
A05		INC. 410602-8	Item No. 14 FASTENER	1	PC.
A06					