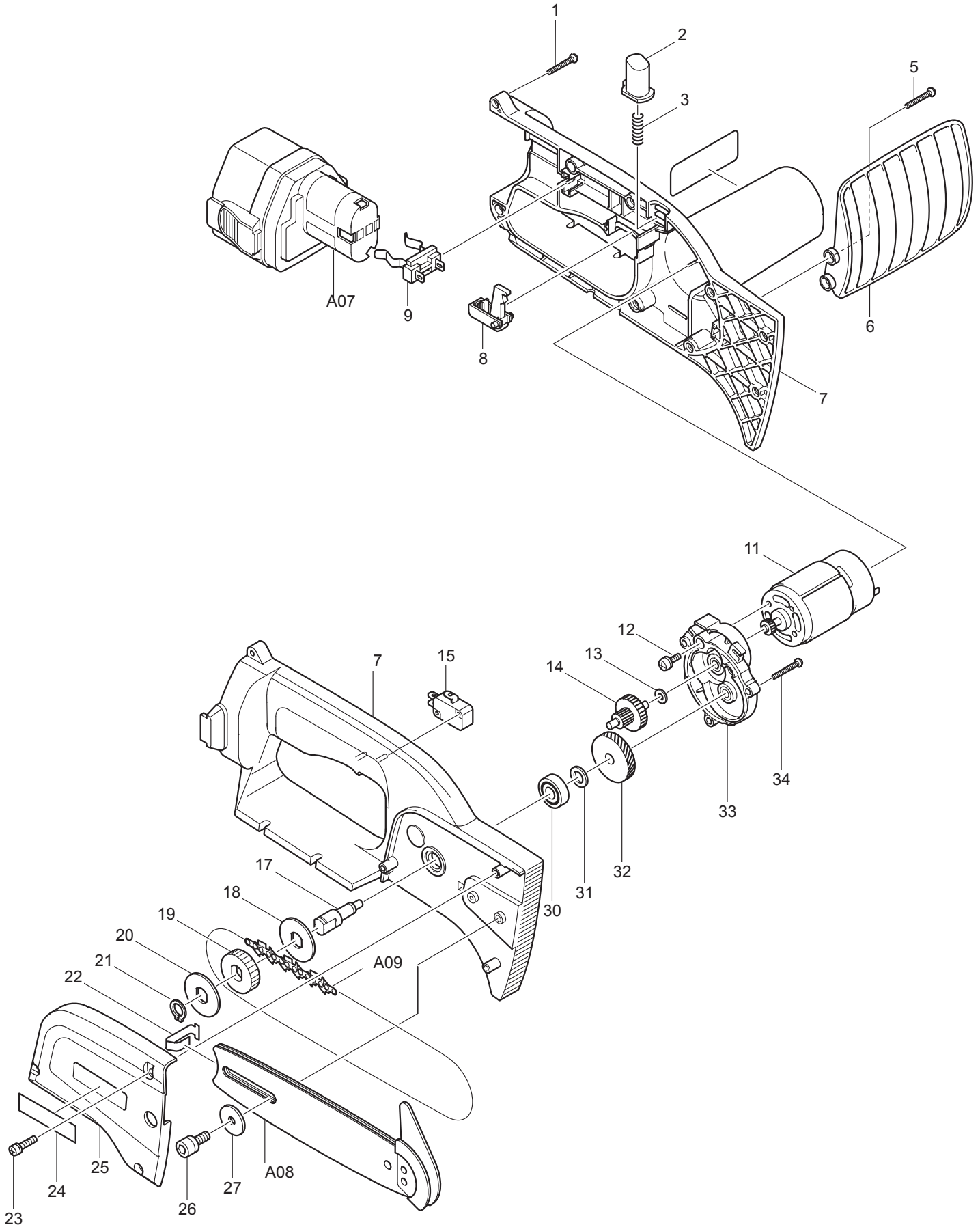




03 - 2010
UC120DWD
12V 4-1/2" CHAIN SAW KIT



Item No	Type	Ref	Part No	Description	Qty	Unit
1			265995-6	TAPPING SCREW 4X18	9	PC.
2			416308-6	LOCK OFF BUTTON	1	PC.
3			233194-8	COMPRESSION SPRING 4	1	PC.
5			265995-6	TAPPING SCREW 4X18	2	PC.
6			416312-5	FRONT HAND GUARD	1	PC.
7			182923-5	HOUSING SET	1	SET
8			416840-0	SWITCH LEVER	1	PC.
9	1		643909-9	BATTERY HOLDER	1	PC.
	2		643918-8	BATTERY HOLDER	1	PC.
11			629715-6	DC MOTOR	1	PC.
		INC.	221882-9	SPUR GEAR 15	1	PC.
12			911113-1	PAN HEAD SCREW M4X10	2	PC.
13			253811-4	FLAT WASHER 5	1	PC.
14			226131-9	GEAR COMPLETE 9-46	1	PC.
15			651942-7	SWITCH V15-1A6-IN	1	PC.
17			322954-4	SPINDLE	1	PC.
18			267729-3	LOCK WASHER 12	1	PC.
19			221504-1	SPROCKET 9	1	PC.
20			267729-3	LOCK WASHER 12	1	PC.
21			961052-5	RETAINING RING S-12	1	PC.
22			232170-9	LEAF SPRING	1	PC.
23			911148-2	PAN HEAD SCREW M4X25	3	PC.
24			819063-3	MAKITA LABEL	1	PC.
25			416306-0	SPROCKET COVER	1	PC.
26	1		922321-9	HEX. SOCKET HEAD BOLT M6X16 - N/L/A	1	PC.
	2		922322-7	HEX. SOCKET HEAD BOLT M6X16	1	PC.
27			267173-4	FLAT WASHER 6	1	PC.
30			211031-6	BALL BEARING 608LLB	1	PC.
31			253215-0	FLAT WASHER 8	1	PC.
32			226478-1	HERICAL GEAR 44	1	PC.
33			159982-4	GEAR HOUSING COMPLETE	1	PC.
34			265995-6	TAPPING SCREW 4X18	3	PC.
35			252157-5	SQUARE NUT M6	1	PC.
D01			654069-2	RECEPTACLE	1	PC.
D02			654510-5	INSULATED CONNECTOR 5.5-SD	1	PC.
D03			686015-7	RECEPTACLE SLEEVE	1	PC.

ACCESSORIES

- See catalogue or visit www.makita.ca for other optional accessories -

A01			182229-1	OIL SUPPLY 100CC	1	PC.
A02			414938-7	BATTERY COVER	1	PC.
A03			416311-7	GUIDE BAR CASE	1	PC.
A04			744003-1	CHAIN FILE 4	1	PC.
A05			783203-8	HEX. WRENCH 5	1	PC.
A06			824491-9	PLASTIC CARRYING CASE	1	PC.
		INC.	186347-7	SLIDE LATCH SET	1	SET
		INC.	417059-4	LATCH	2	PC.
A07			193157-5	12V NI-MH BATTERY 1234	1	PC.
			192598-2	12V NI-MH BATTERY 1222	1	PC.
A08	1		158045-3	GUIDE BAR COMPLETE	1	PC.
	2		158476-6	GUIDE BAR COMPLETE	1	PC.
A09			791284-8	CHAIN BLADE	1	PC.
A10	1		DC1414	CHARGER DC1414(7.2-14.4V/1.3-3.0AH)	1	PC.
	2		DC1804	CHARGER DC1804(7.2-18.0V/1.3-3.0AH)	1	PC.
A11			192927-9	PRUNING EXTENSION SET	1	PC.
				- See parts breakdown 192927-9		