

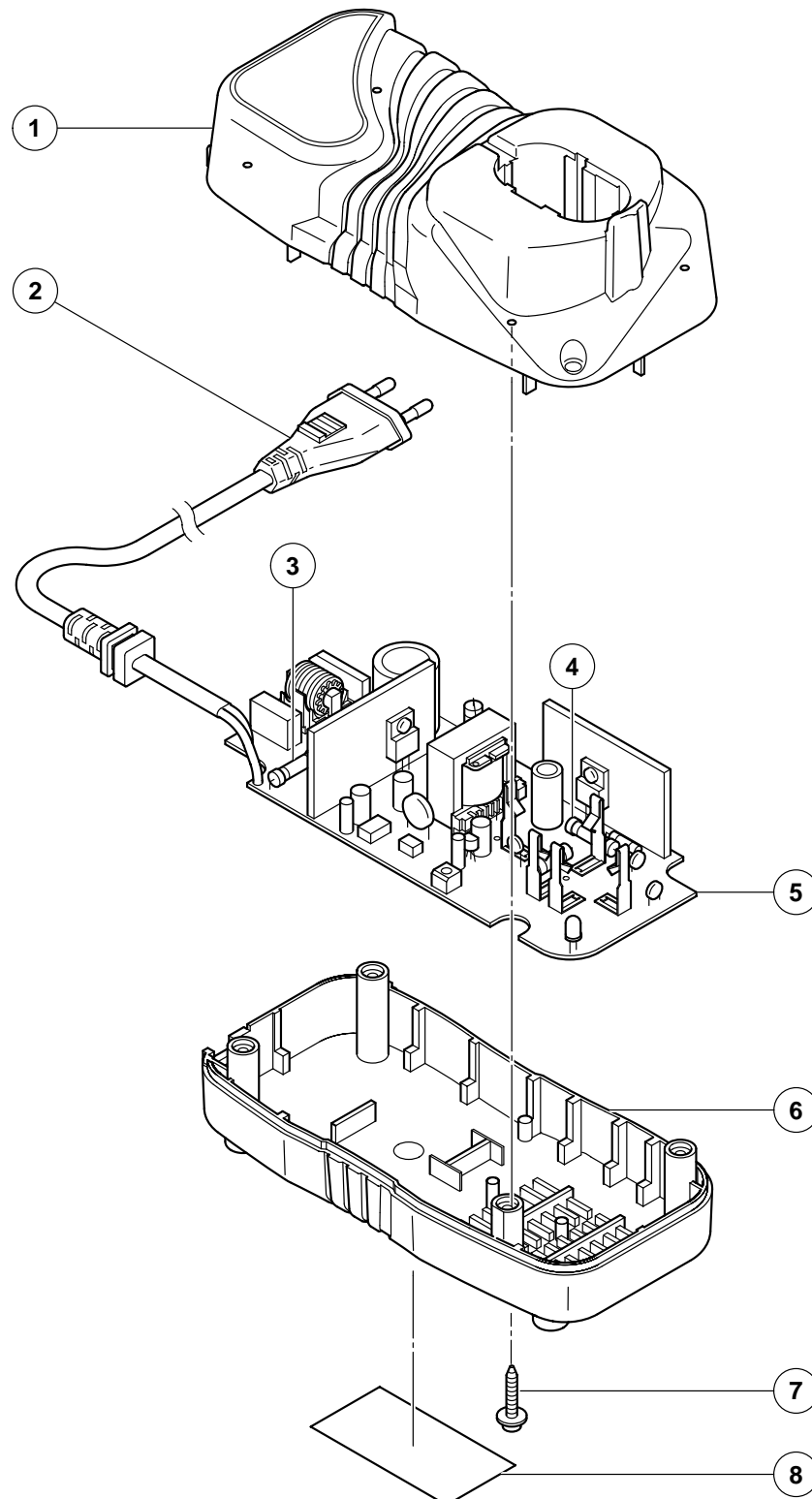
## ELECTRIC TOOL PARTS LIST

### ■ CHARGER

2005 • 8 • 10

Model UC 18YG

(E1)



**PARTS**

UC 18YG

ITEM NO.	CODE NO.	DESCRIPTION	NO. USED	REMARKS	
1	324-732	CASE (A)	1		
* 2	324-738	CORD	1		
* 2	324-739	CORD	1	FOR GBR	
* 2	324-740	CORD	1	FOR TPE	
* 2	324-741	CORD	1	FOR USA, CAN	
* 2	324-742	CORD	1	FOR AUS, NZL	
* 2	324-743	CORD	1	FOR SIN	
	3	324-736	FUSE (250V-3.15A)	1	
	4	324-737	FUSE (125V-5A)	1	
* 5	324-734	PRINTED CIRCUIT BOARD ASS'Y 110V-120V	1	INCLUD. 3, 4	
* 5	324-735	PRINTED CIRCUIT BOARD ASS'Y 230V-240V	1	INCLUD. 3, 4	
	6	324-733	CASE (B)	1	
	7	300-036	TAPPING SCREW (W/FLANGE) D3X20	4	
	8		NAME PLATE	1	