

All Purpose Vacuum Cleaners - 3 601 JC3 010 - VAC090...

www.powertools-aftersaleservice.com



BOSCH

Item	Part Number	Description	Illustration	Price	Quantity	Price Group
15	2 609 200 487	Housing	6	-,-	1	33
23	2 609 200 453	Support	1	-,-	1	19
24	2 609 200 425	Locking Piece	3	-,-	2	21
25	2 609 200 452	Support	2	-,-	1	22
28	2 609 200 423	Clamping Piece	3	-,-	1	20
29	2 609 200 390	Support	4	-,-	1	24
37	2 609 200 427	Sensor	3	-,-	2	15
47	2 609 200 483	Spring	4	-,-	1	22
72	2 609 200 420	Seal	3	-,-	1	23
80	2 610 033 209	Motor Housing	3	-,-	1	-
85	2 609 200 436	Hose Holder	1	-,-	2	34
99	2 609 200 424	Cord	3	-,-	1	21
100	2 609 200 392	O-Ring	4	-,-	1	11
101	2 609 200 482	O-Ring	4	-,-	1	10
105	2 609 200 450	Caster Wheel	2	-,-	1	21
106	2 609 200 451	Caster Wheel	2	-,-	1	27
113	2 609 200 406	Plug	1	-,-	6	10
125	2 609 200 479	Switch	4	-,-	1	14
154	2 610 033 210	Power supply cord	3	-,-	1	-
162	2 610 035 068	Cable	3	-,-	2	-
190	2 607 432 025	Filter	3	-,-	1	36
199	2 609 200 422	Screw	1	-,-	4	10
201	2 609 200 410	Screw	1	-,-	13	10
206	2 609 200 414	Positioning Element	1	-,-	5	10
208	2 609 200 481	Fastening Part	4	-,-	2	11
215	2 609 200 397	Lens Head Screw	3	-,-	5	10
250	2 609 200 454	Clamping Ring	6	-,-	1	12
251	2 609 200 497	Suction Pipe	6	-,-	1	26
259	2 609 200 462	Nozzle	6	-,-	1	22
260	2 609 200 496	Socket	6	-,-	1	36
307	2 610 033 191	Warning Label	1	-,-	1	-
308	2 609 200 438	Screw	1	-,-	2	10
313	2 610 033 192	Cable	1	-,-	1	-

Item	Part Number	Description	Illustration	Price	Quantity	Price Group
320	2 609 200 456	Bolt	2	-,-	1	13
322	2 609 200 461	Fastening Part	4	-,-	2	10
414	2 610 033 194	Label	1	-,-	1	-
419	2 610 034 323	Warning Label	4	-,-	1	-
420	2 610 027 617	Label	4	-,-	2	-
422	2 610 033 207	Warning Label	1	-,-	1	-
8021	2 609 200 388	Switch	1	-,-	1	37
8022	2 610 034 324	Contact	3	-,-	1	-
8031	2 609 200 493	Housing	3	-,-	1	48
8032	2 610 033 217	Housing Cover	4	-,-	1	-
8033	2 609 200 391	Cover	4	-,-	1	39
8034	2 610 033 196	Housing	1	-,-	1	-
8035	2 610 033 230	Dust Chamber	2	-,-	1	-
8036	2 609 200 458	Axle	2	-,-	1	27
8039	2 609 200 444	Handle	1	-,-	1	28
8049	2 610 027 613	Nameplate	1	-,-	1	-
8058	2 609 200 449	Bumper	2	-,-	1	36
8068	2 609 200 431	Seal Kit	3	-,-	1	32
8075	2 609 200 480	Valve Plate	4	-,-	1	45
8090	2 609 200 413	Sound Insulation Mat	3	-,-	1	30
8092	2 610 033 195	Sound Insulation Mat	1	-,-	1	-
8093	2 610 033 208	Sound Insulation Mat	1	-,-	1	-
8103	2 610 033 229	Wheel	2	-,-	1	-
8107	2 610 033 213	Motor	3	-,-	1	-
8110	2 609 200 435	Holder	1	-,-	1	27
8111	2 609 200 407	Holder	4	-,-	1	26
8113	2 609 200 405	Fastening parts kit	4	-,-	1	26
8115	2 609 200 393	Filter Cover	4	-,-	1	30
8161	2 610 033 212	Cable	3	-,-	1	-
8175	2 610 033 214	Printed Circuit Board	3	-,-	1	-
8257	2 608 000 A09	Hose	6	-,-	1	51
8301	2 610 033 198	Control Panel	1	-,-	1	-
8303	2 610 033 197	Socket	1	-,-	1	-
8321	2 609 200 428	Spring Housing	3	-,-	1	28

Product information All Purpose Vacuum Cleane - 3 601 JC3 010 - VAC090S

Product No	3 601 JC3 010
Description	251.232; All Purpose Vacuum Cleane
DIN-Text	
ID_Text_Ext	0
Trading_Description	VAC090S
Voltage_1	120 V
ID_Country_Product	USA

Illustration - Type E

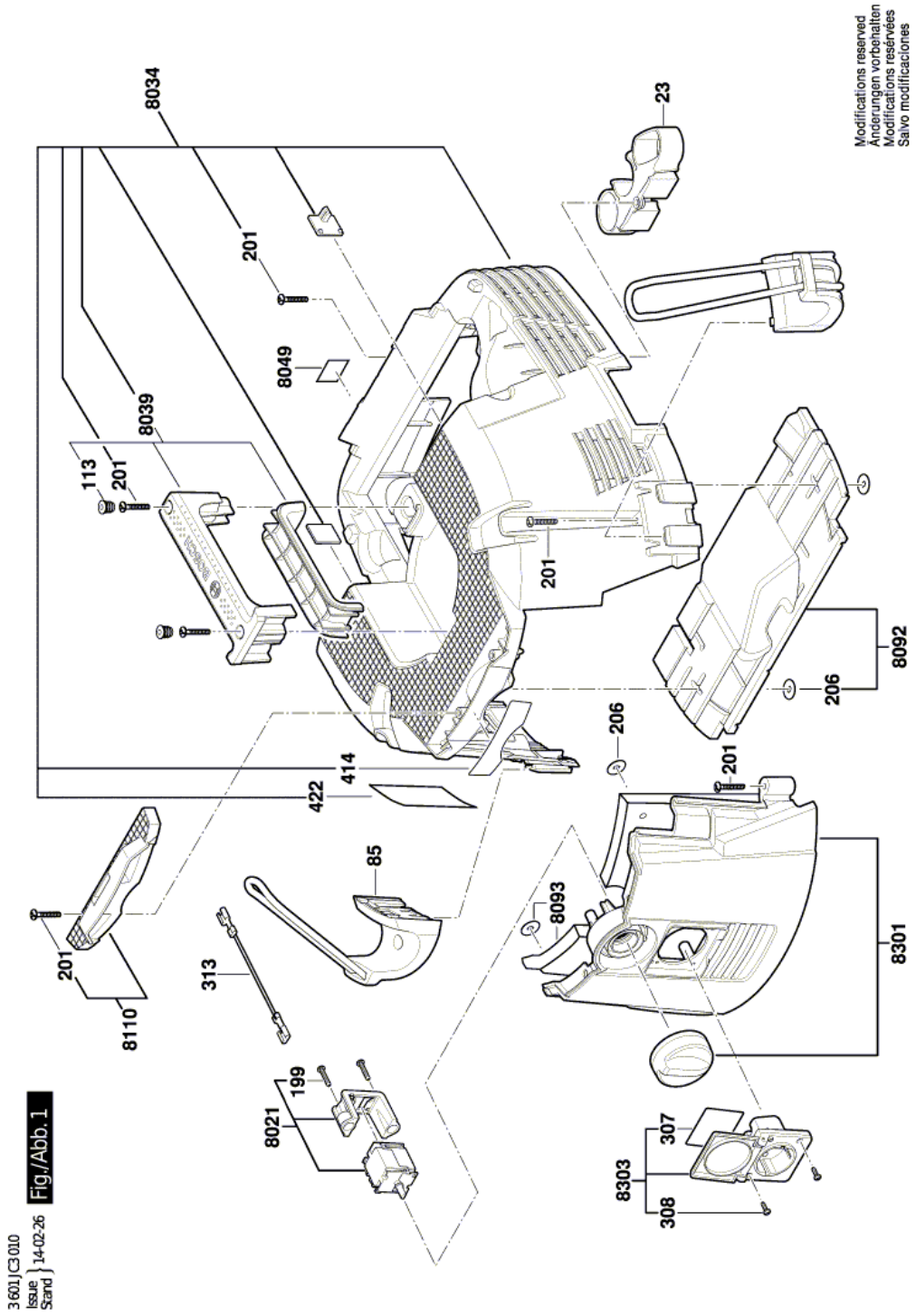
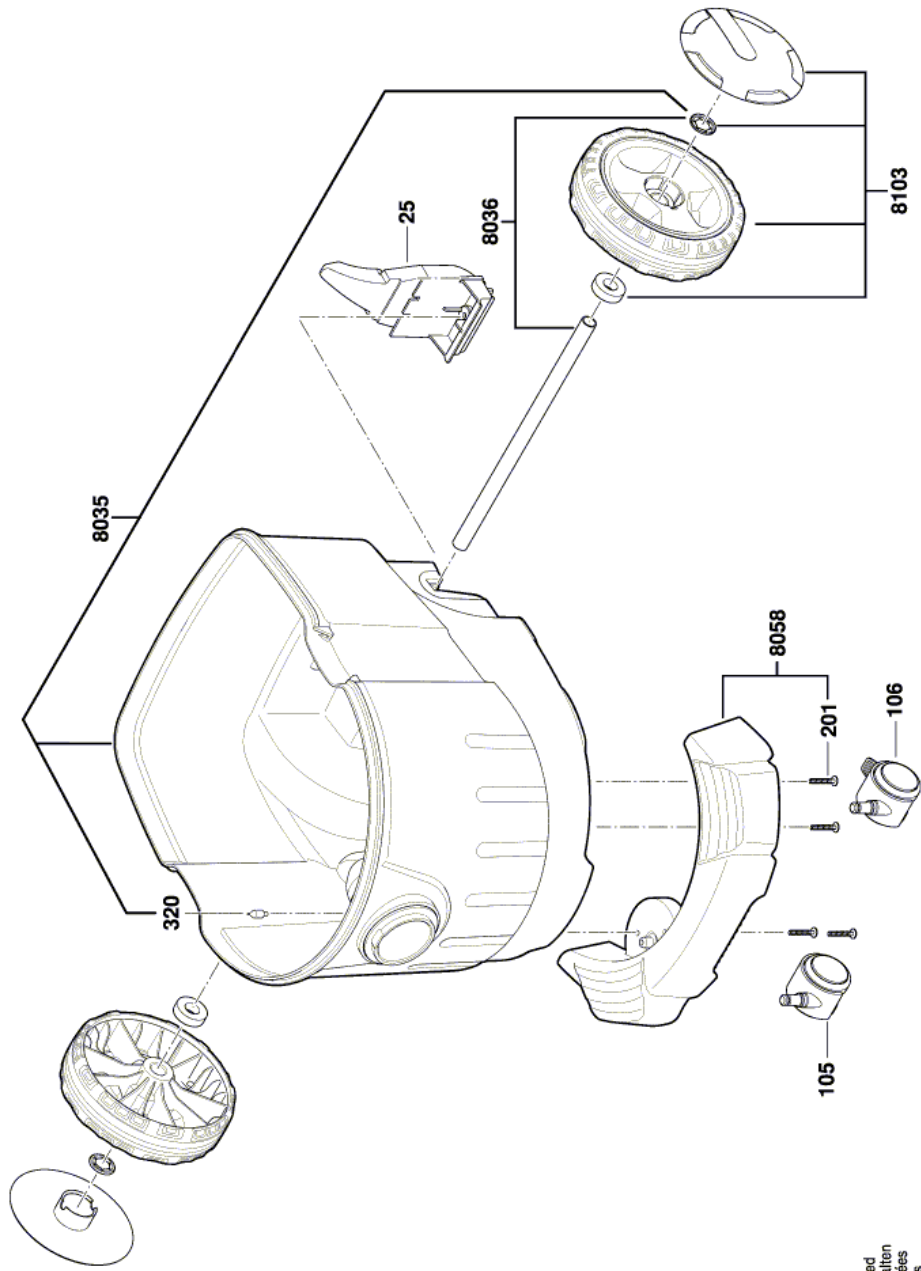


Illustration - Type E



3 601J/C3 010
Issue 14-02-26
Stand **Fig./Abb. 2**

Modifications reserved
Änderungen vorbehalten
Modificacions reservades
Salvo modificaciones

Illustration - Type E

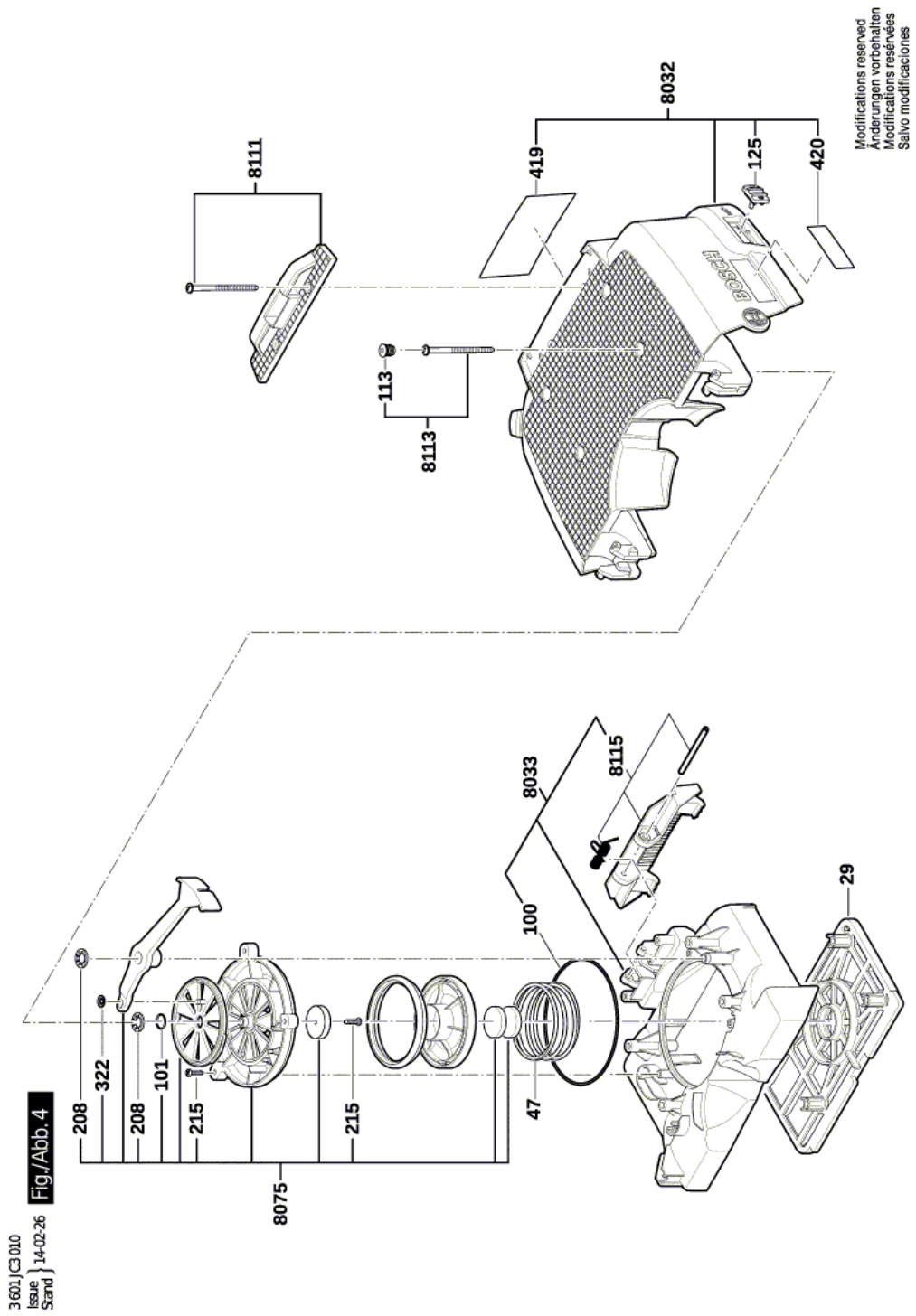
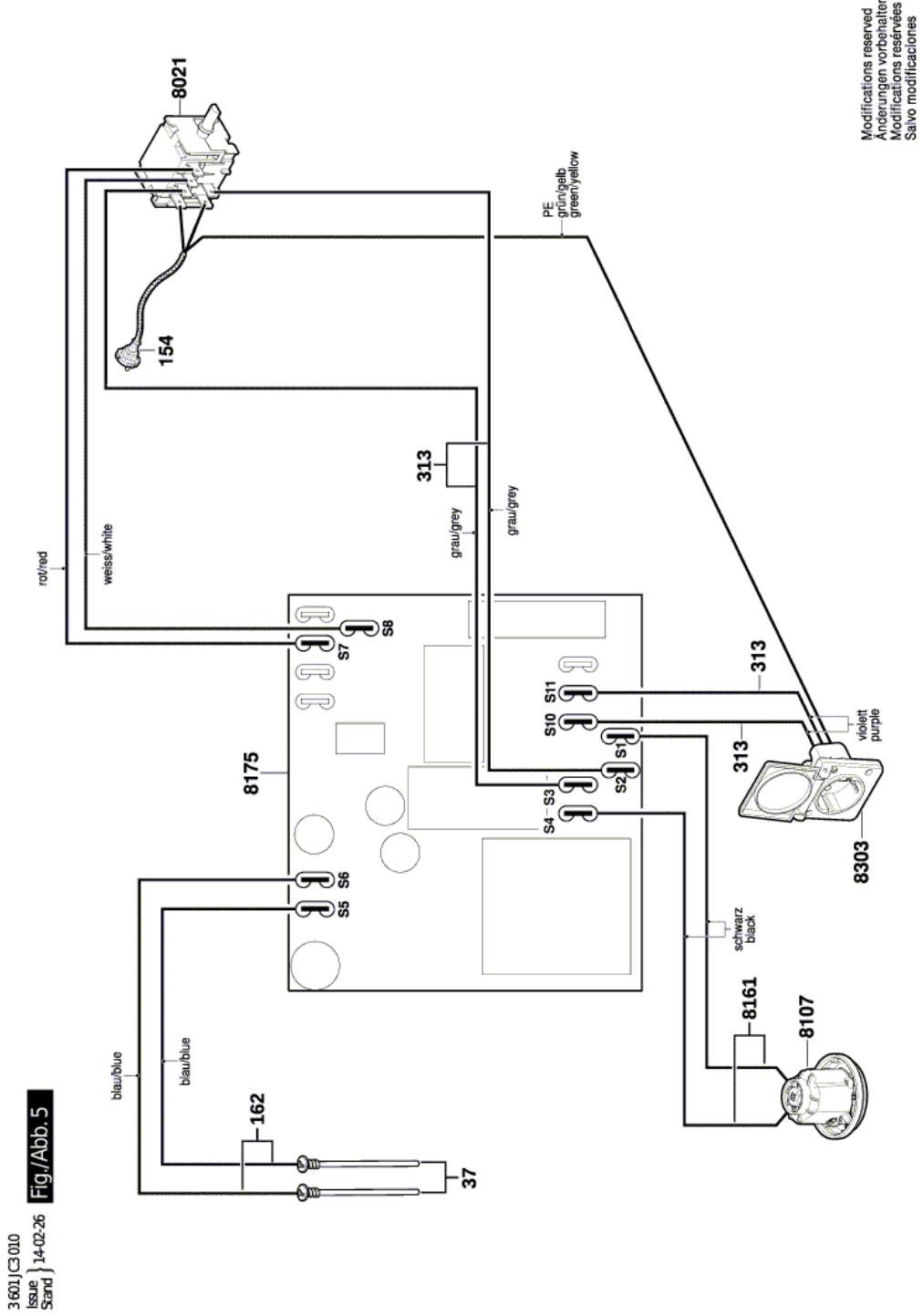


Illustration - Type E

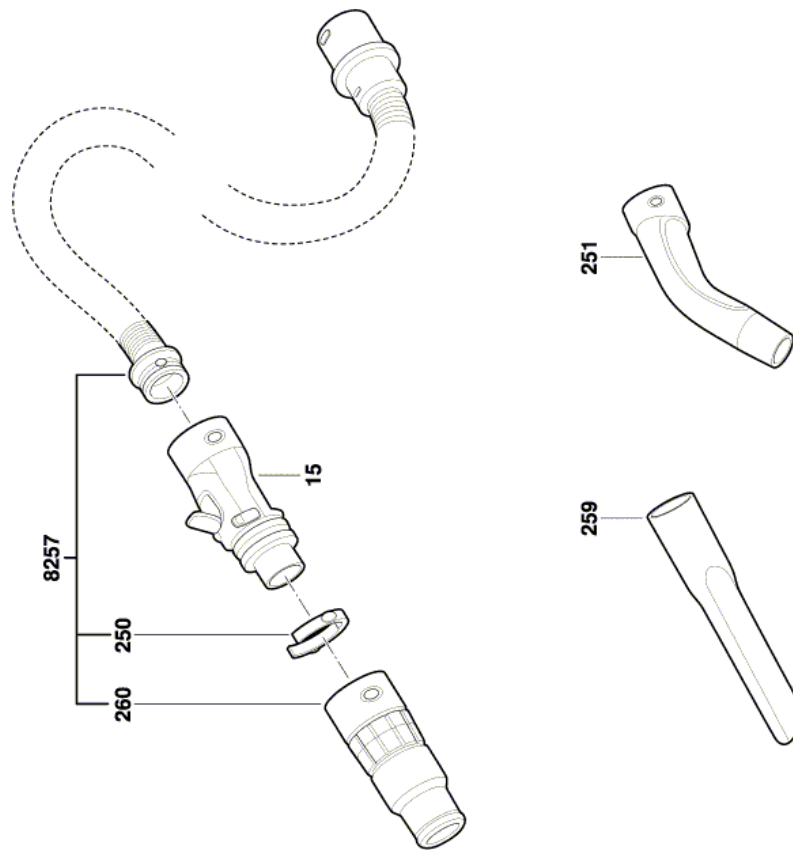


3 601J/C3 010
Issue } 14-02-26
Stand }
Fig./Abb. 5

Illustration - Type E

3 601J/C3 010
Issue } 14-02-26
Stand }

Fig./Abb. 6



Modifications reserved
Änderungen vorbehalten
Modificaciones reservées
Salvo modificaciones

Information subject to change without further notice.