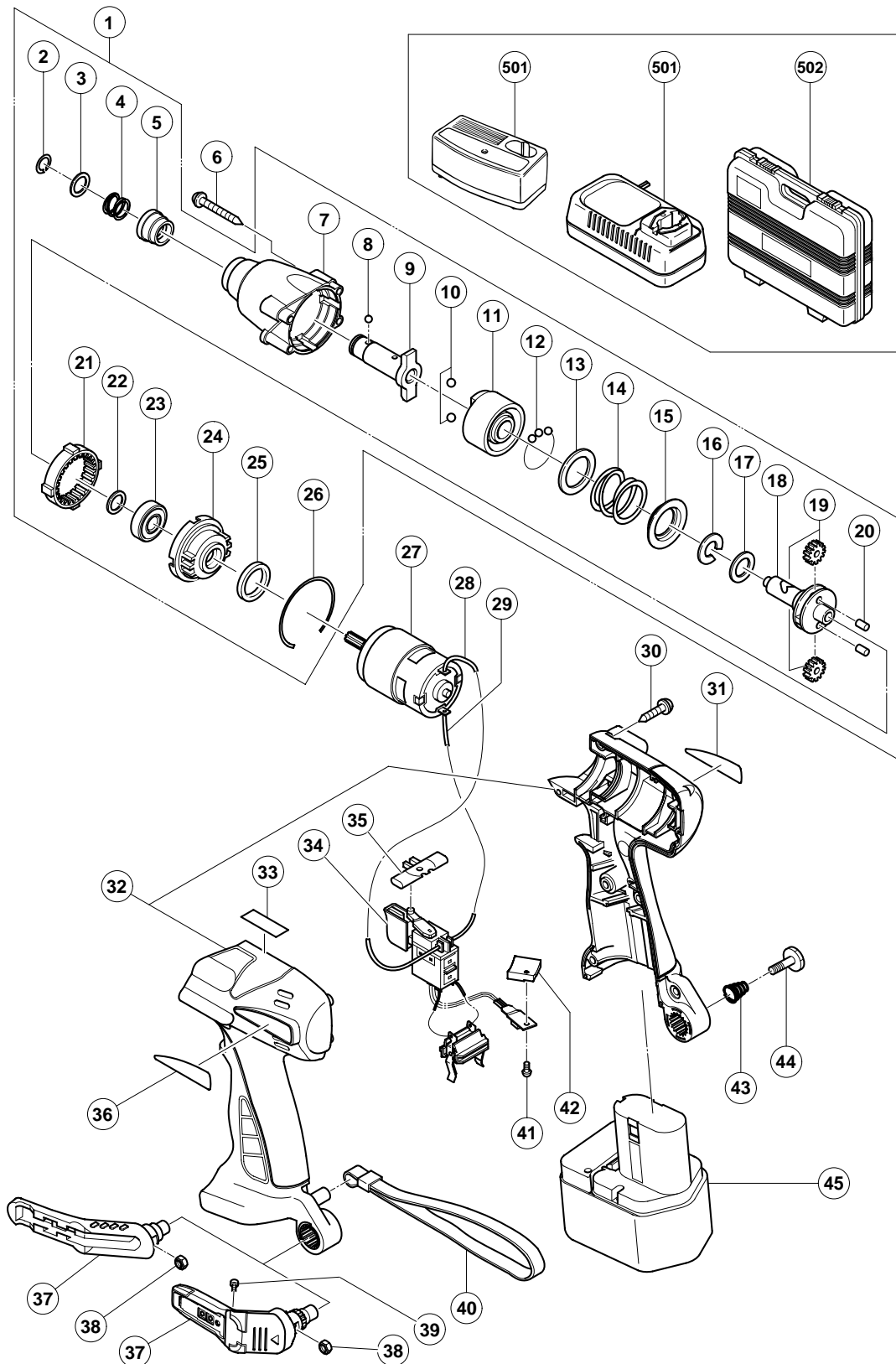


ELECTRIC TOOL PARTS LIST

■ CORDLESS IMPACT DRIVER
Model WH 12DAF

2003 · 2 · 25
(E1)



PARTS

WH 12DAF

ITEM NO.	CODE NO.	DESCRIPTION	NO. USED	REMARKS
1	321-914	GEAR BOX ASS'Y	1	INCLUD. 2-5, 7-26
2	315-984	RETAINING RING	1	
3	315-983	WASHER (D)	1	
4	320-409	GUIDE SPRING	1	
5	321-885	GUIDE SLEEVE	1	
6	306-305	TAPPING SCREW (W/SP. WASHER) D4X35 (BLACK)	4	
7	321-881	HAMMER CASE	1	
8	319-535	STEEL BALL D3.5 (10 PCS.)	1	
9	321-915	ANVIL (B)	1	
10	959-154	STEEL BALL D5.556 (10 PCS.)	2	
11	321-886	HAMMER	1	
12	321-934	STEEL BALL D3 (10 PCS.)	28	
13	315-978	WASHER (J)	1	
14	316-170	SPRING	1	
15	316-172	WASHER (S)	1	
16	316-171	STOPPER	1	
17	321-888	WASHER	1	
18	321-889	SPINDLE	1	
19	321-882	IDLE GEAR SET (2 PCS.)	2	
20	321-883	NEEDLE ROLLER	2	
21	321-891	RING GEAR	1	
22	321-890	WASHER (C)	1	
23	600-1VV	BALL BEARING 6001VVCMP2L	1	
24	321-892	INNER COVER	1	
25	321-894	DAMPER	1	
26	321-893	RETAINING RING	1	
27	321-874	MOTOR	1	
28	321-876	INTERNAL WIRE (RED) 115L	1	
29	321-877	INTERNAL WIRE (BLACK) 60L	1	
30	301-653	TAPPING SCREW (W/FLANGE) D4X20 (BLACK)	7	
*	31	NAME PLATE	1	
	32	321-913 HOUSING (A).(B) SET	1	
*	33	CAUTION PLATE	1	
	34	321-917 DC-SPEED CONTROL SWITCH	1	
	35	321-871 PUSHING BUTTON	1	
	36	HITACHI LABEL	1	
*	37	320-287 HOOK ASS'Y	1	INCLUD. 38
*	37	321-918 HOOK ASS'Y (W/LIGHT)	1	INCLUD. 38, 39 FOR USA, CAN
	38	320-288 V-LOCK NUT M5	1	
*	39	321-672 TAPPING SCREW D2X6	2	FOR USA, CAN
	40	318-349 STRAP (YELLOW)	1	
	41	320-777 MACHINE SCREW (W/SP. WASHER) M3X4	1	
	42	320-776 FIN	1	
	43	319-926 HOOK SPRING	1	
	44	319-927 SPECIAL SCREW M5	1	
*	45	321-652 BATTERY EB 1212S (W/ENGLISH N.P)	2	
*	45	320-608 BATTERY EB 1214L (W/ENGLISH N.P.)	2	
*	45	320-606 BATTERY EB 1214L (W/ENGLISH N.P.)	2	FOR NZL, CHN
*	45	320-686 BATTERY EB 1222HL (W/ENGLISH N.P)	1	
*	45	320-387 BATTERY EB 1220BL (W/ENGLISH N.P.)	2	

STANDARD ACCESSORIES

WH 12DAF

ITEM NO.	CODE NO.	DESCRIPTION	NO. USED	REMARKS
* 501		CHARGER (MODEL UC 12SD)	1	
* 501		CHARGER (MODEL UC 24YFA)	1	
502	321-916	CASE	1	

OPTIONAL ACCESSORIES

ITEM NO.	CODE NO.	DESCRIPTION	NO. USED	REMARKS
601	992-671	+ DRIVER BIT (B) NO.2 50L	1	
602	992-672	+ DRIVER BIT (B) NO.3 50L	1	
603	992-689	NON-MAGNETIC HEX. SOCKET 7MM 65L	1	
604	996-177	NON-MAGNETIC HEX. SOCKET 8MM 65L	1	
605	985-329	NON-MAGNETIC HEX. SOCKET 10MM 65L	1	
606	996-178	NON-MAGNETIC HEX. SOCKET 12MM 65L	1	
607	996-179	NON-MAGNETIC HEX. SOCKET 13MM 65L	1	
608	996-180	NON-MAGNETIC HEX. SOCKET 14MM 65L	1	
609	996-181	NON-MAGNETIC HEX. SOCKET 16MM 65L	1	
610	996-182	NON-MAGNETIC HEX. SOCKET 17MM 65L	1	
611	996-197	HEX. SOCKET (LONG) 21MMX166L	1	
612	321-823	DRILL CHUCK AND ADAPTER SET	1	INCLUD. 613, 614
613	987-575	CHUCK WRENCH FOR 10VLB-D,10VLR-D	1	
614	307-543	CHUCK ADAPTER	1	
615	309-922	GREASE FOR IMPACT DRIVER (500G)	1	

ITEM NO.	CODE NO.	DESCRIPTION	NO. USED	REMARKS	