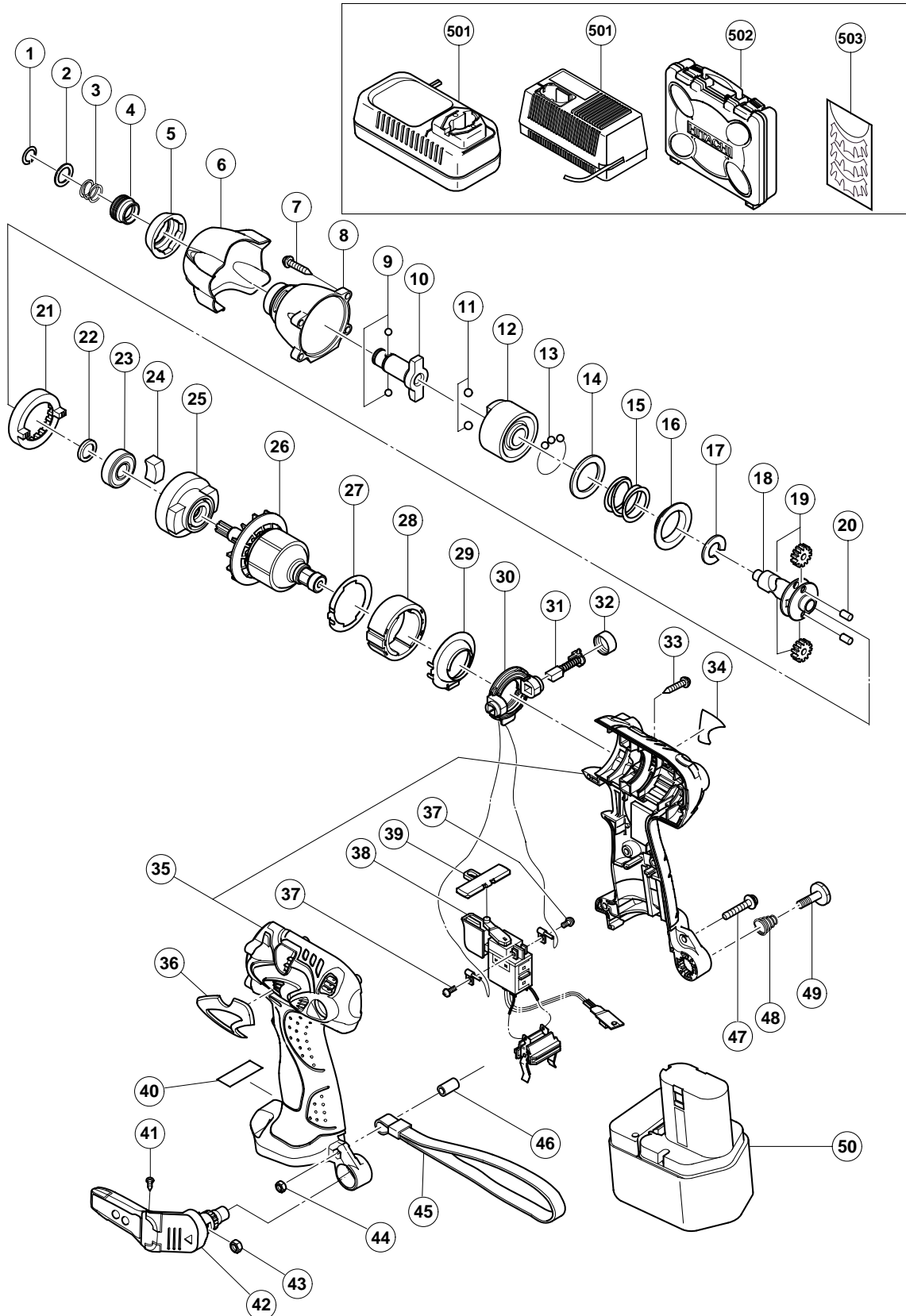


ELECTRIC TOOL PARTS LIST

CORDLESS IMPACT DRIVER
Model WH 12DM2

2003 • 8 • 20
(E1)



PARTS

WH 12DM2

ITEM NO.	CODE NO.	DESCRIPTION	NO. USED	REMARKS
1	315-984	RETAINING RING	1	
2	315-983	WASHER (D)	1	
3	321-657	GUIDE SPRING (A)	1	
4	321-658	GUIDE SLEEVE (B)	1	
5	322-249	FRONT CAP (A) (GREEN)	1	
* 6	321-676	PROTECTOR (A)	1	
* 6	321-937	PROTECTOR (A)	1	FOR USA, CAN
7	319-917	TAPPING SCREW (W/SP. WASHER) D4X25 (BLACK)	4	
8	321-674	HAMMER CASE	1	
9	319-535	STEEL BALL D3.5 (10 PCS.)	2	
10	322-248	ANVIL (F)	1	
11	959-154	STEEL BALL D5.556 (10 PCS.)	2	
12	321-656	HAMMER (D)	1	
13	959-148	STEEL BALL D3.175 (10 PCS.)	28	
14	315-978	WASHER (J)	1	
15	321-660	HAMMER SPRING (D)	1	
16	316-172	WASHER (S)	1	
17	316-171	STOPPER	1	
18	321-666	SPINDLE (D)	1	
19	321-667	IDLE GEAR SET (2 PCS.)	2	
20	319-914	NEEDLE ROLLER	2	
21	320-877	RING GEAR (C)	1	
22	319-911	WASHER (E)	1	
23	690-1VV	BALL BEARING 6901VVCMP2L	1	
24	319-909	DAMPER	2	
25	321-664	INNER COVER (A)	1	
26	360-599	ARMATURE ASS'Y DC 12V	1	
27	321-659	SIDE YOKE	1	
28	321-668	MAGNET (D)	1	
29	321-663	DUST GUARD FIN (A)	1	
30	321-662	BRUSH BLOCK	1	
31	999-054	CARBON BRUSH 5X6X11.5 (1 PAIR)	2	
32	319-918	BRUSH CAP	2	
33	302-086	TAPPING SCREW (W/FLANGE) D4X20 (BLACK)	7	
34		NAME PLATE	1	
35	322-174	HOUSING (A).(B) SET (GREEN)	1	
36	322-247	HITACHI PLATE	1	
37	994-532	MACHINE SCREW (W/SP. WASHER) M3X5	2	
38	319-906	DC-SPEED CONTROL SWITCH	1	
39	321-661	PUSHING BUTTON (A)	1	
* 40		CAUTION PLATE (A)	1	FOR USA, CAN
41	321-672	TAPPING SCREW D2X6	2	
42	321-918	HOOK ASS'Y (W/LIGHT)	1	INCLUD. 41, 43
43	320-288	V-LOCK NUT M5	1	
44	949-565	LOCK NUT M4 (10 PCS.)	1	
45	306-952	STRAP (BLACK)	1	
46	320-882	SLEEVE	1	
47	676-386	MACHINE SCREW (W/WASHERS) M4X25	1	
48	319-926	HOOK SPRING	1	
49	319-927	SPECIAL SCREW M5	1	
* 50	320-388	BATTERY EB 1230HL (W/ENGLISH N.P.)	2	

