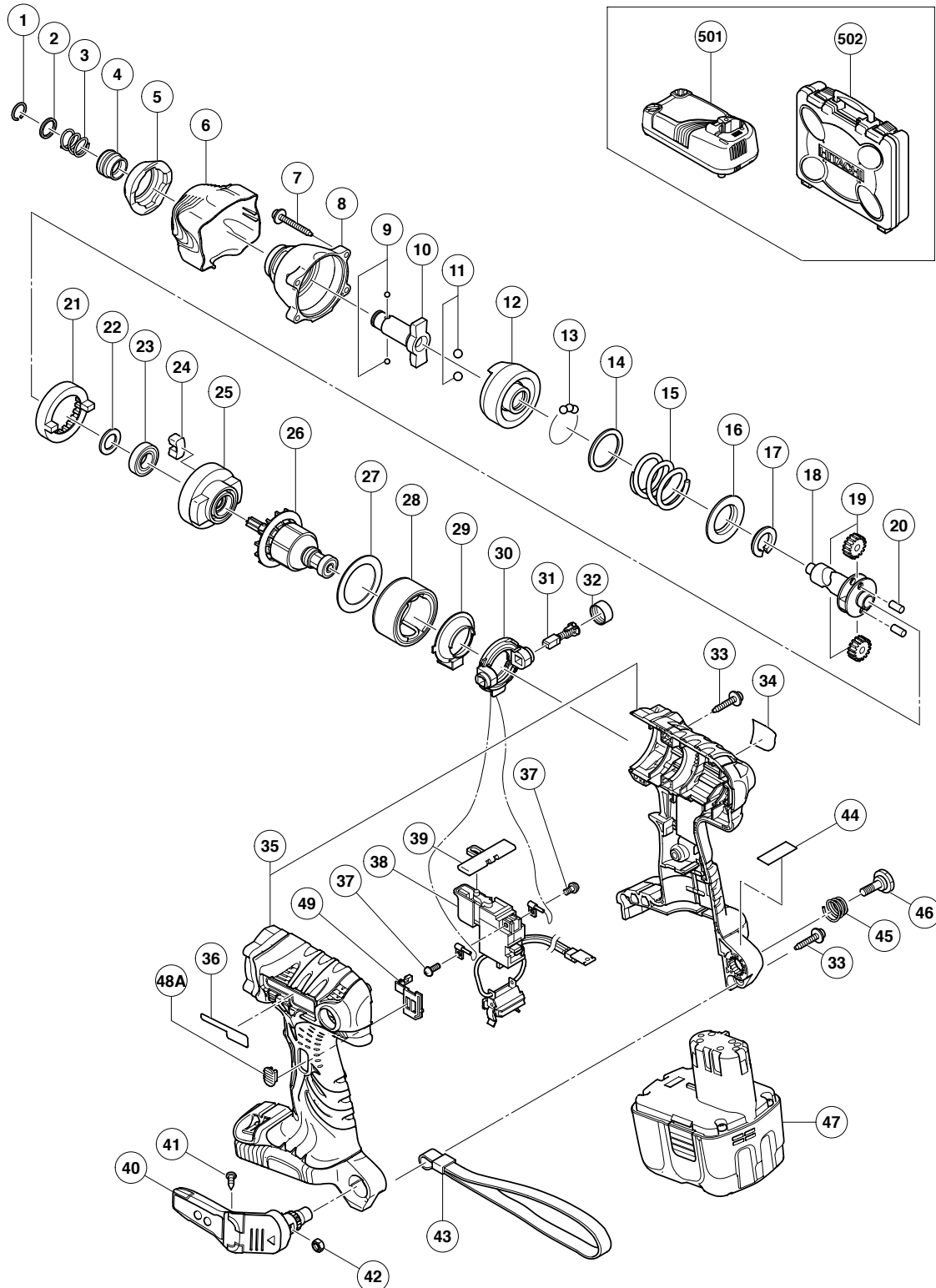


## ELECTRIC TOOL PARTS LIST

■ CORDLESS IMPACT DRIVER  
Model WH 14DL

2006 · 11 · 17

(E2)



## PARTS

WH 14DL

ITEM NO.	CODE NO.	DESCRIPTION	NO. USED	REMARKS
1	315-984	RETAINING RING	1	
2	315-983	WASHER (D)	1	
3	321-657	GUIDE SPRING (D)	1	
4	322-717	GUIDE SLEEVE (D)	1	
5	324-238	FRONT CAP (C)	1	
6	324-239	PROTECTOR (D)	1	
7	307-851	TAPPING SCREW (W/SP. WASHER) D4X30 (BLACK)	4	
8	324-216	HAMMER CASE	1	
9	319-535	STEEL BALL D3.5 (10 PCS.)	2	
10	324-236	ANVIL	1	
11	959-154	STEEL BALL D5.556 (10 PCS.)	2	
12	324-218	HAMMER	1	
13	959-148	STEEL BALL D3.175 (10 PCS.)	28	
14	315-978	WASHER (J)	1	
15	324-224	HAMMER SPRING (F)	1	
16	316-172	WASHER (S)	1	
17	324-222	STOPPER (B)	1	
18	324-232	SPINDLE	1	
19	326-295	IDLE GEAR SET (2 PCS.)	2	
20	324-234	NEEDLE ROLLER (A)	2	
21	320-877	RING GEAR (C)	1	
22	319-911	WASHER (E)	1	
23	690-1VV	BALL BEARING 6901VVCMP2L	1	
24	324-230	DAMPER (A)	2	
25	324-229	INNER COVER (B)	1	
26	360-712	ARMATURE AND PINION SET	1	
27	324-607	SIDE YOKE (A)	1	
28	324-235	MAGNET (F) ASS'Y	1	INCLUD. 27
29	324-228	DUST GUARD FIN (B)	1	
30	324-226	BRUSH BLOCK	1	
31	999-054	CARBON BRUSH 5X6X11.5 (1 PAIR)	2	
32	319-918	BRUSH CAP	2	
33	302-086	TAPPING SCREW (W/FLANGE) D4X20 (BLACK)	8	
34		NAME PLATE	1	
* 35	324-237	HOUSING (A).(B) SET	1	
* 35	327-050	HOUSING (A).(B) SET	1	FOR SAVE MODE
36	326-238	HITACHI PLATE	1	
37	994-532	MACHINE SCREW (W/SP. WASHER) M3X5	2	
38	321-533	DC-SPEED CONTROL SWITCH	1	
39	324-225	PUSHING BUTTON (B)	1	
40	321-918	HOOK ASS'Y (W/LIGHT)	1	INCLUD. 41, 42
41	321-672	TAPPING SCREW D2X6	2	
42	320-288	V-LOCK NUT M5	1	
43	306-952	STRAP (BLACK)	1	
* 44		LABEL (WEEE)	1	EXCEPT FOR AUS
45	319-926	HOOK SPRING	1	
46	320-881	SPECIAL SCREW (A) M5	1	
47	326-236	BATTERY EBL 1430 (EUROPE, AUS, NZL)	2	
* 48A	327-053	LEVER (B)	1	FOR SAVE MODE
* 49	327-052	LEVER (A)	1	FOR SAVE MODE

**STANDARD ACCESSORIES**

ITEM NO.	CODE NO.	DESCRIPTION	NO. USED	REMARKS
501		CHARGER (MODEL UC 18YRL)	1	
502	323-230	CASE	1	

**OPTIONAL ACCESSORIES**

ITEM NO.	CODE NO.	DESCRIPTION	NO. USED	REMARKS
601	321-823	DRILL CHUCK AND ADAPTER SET	1	INCLUD. 616, 618
602	309-922	GREASE FOR IMPACT DRIVER (500G)	1	
603	992-671	+ DRIVER BIT (B) NO. 2 50L	1	
604	992-672	+ DRIVER BIT (B) NO. 3 50L	1	
605	996-177	NON-MAGNETIC HEX. SOCKET 8MM 65L	1	
606	985-329	NON-MAGNETIC HEX. SOCKET 10MM 65L	1	
607	996-178	NON-MAGNETIC HEX. SOCKET 12MM 65L	1	
608	996-179	NON-MAGNETIC HEX. SOCKET 13MM 65L	1	
609	996-180	NON-MAGNETIC HEX. SOCKET 14MM 65L	1	
610	996-185	NON-MAGNETIC HEX. SOCKET 15MM 65L	1	
611	996-181	NON-MAGNETIC HEX. SOCKET 16MM 65L	1	
612	996-182	NON-MAGNETIC HEX. SOCKET 17MM 65L	1	
613	996-186	NON-MAGNETIC HEX. SOCKET 19MM 65L	1	
614	996-197	HEX. SOCKET (LONG) 21MMX166L	1	
615	996-184	BIT PIECE	1	
616	987-575	CHUCK WRENCH FOR 10VLB-D, 10VLR-D	1	
617	930-119	CHUCK WRENCH 6.5G	1	
618	307-543	CHUCK ADAPTER	1	

ITEM NO.	CODE NO.	DESCRIPTION	NO. USED	REMARKS	