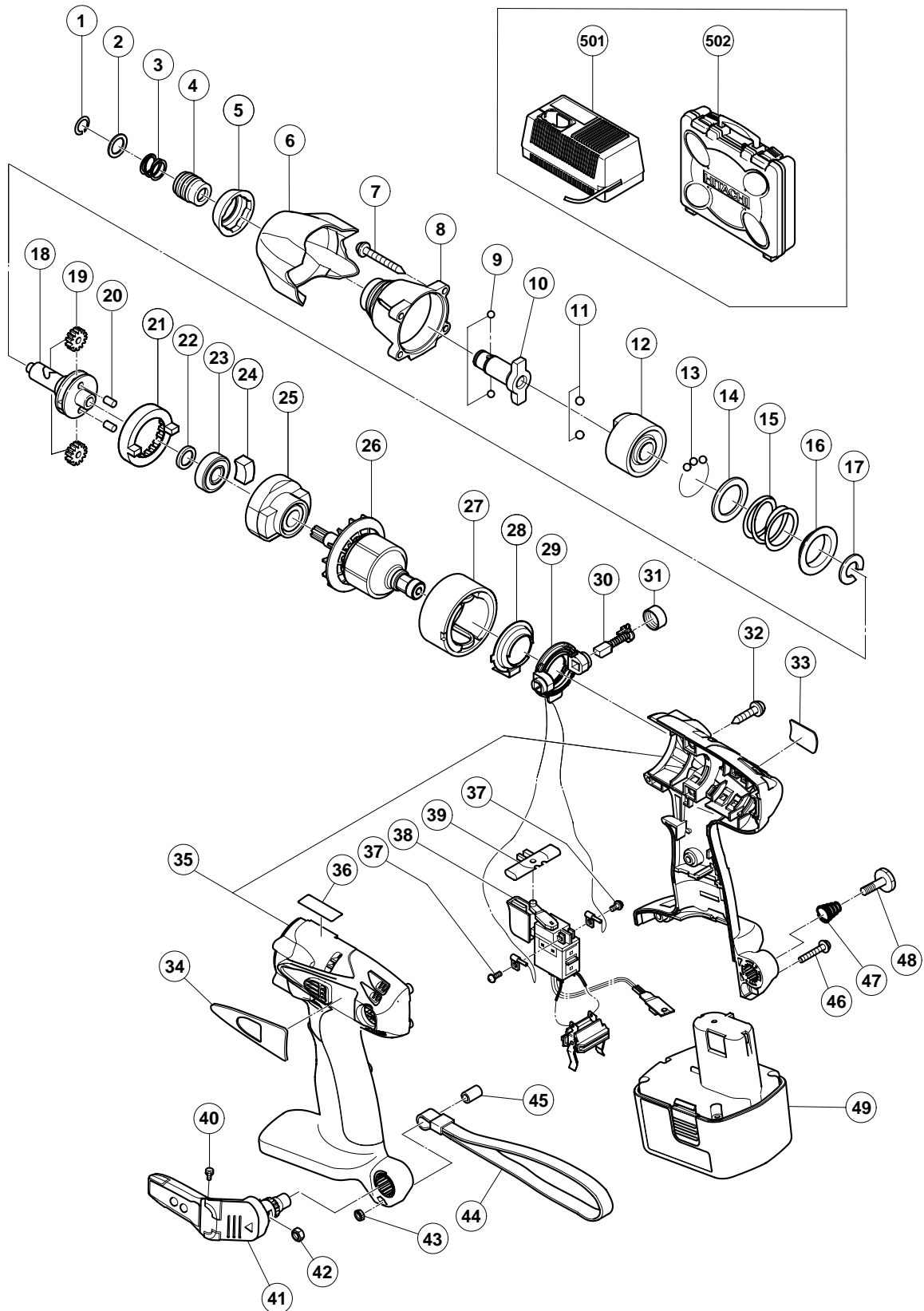


## ELECTRIC TOOL PARTS LIST

■ CORDLESS IMPACT DRIVER  
Model WH 14DM

2003 • 6 • 5  
(E1)



**PARTS**

WH 14DM

ITEM NO.	CODE NO.	DESCRIPTION	NO. USED	REMARKS
1	317-530	RETAINING RING	1	
2	318-394	RETAINER	1	
3	317-528	GUIDE SPRING	1	
4	322-077	GUIDE SLEEVE	1	
5	320-418	FRONT CAP	1	
6	322-076	PROTECTOR	1	
7	319-917	TAPPING SCREW (W/SP. WASHER) D4X25 (BLACK)	4	
8	322-075	HAMMER CASE	1	
9	959-155	STEEL BALL D3.97 (10 PCS.)	2	
10	322-072	ANVIL (C)	1	
11	959-154	STEEL BALL D5.556 (10 PCS.)	2	
12	322-069	HAMMER (E)	1	
13	959-148	STEEL BALL D3.175 (10 PCS.)	28	
14	315-978	WASHER (J)	2	
15	320-879	HAMMER SPRING (C)	1	
16	316-172	WASHER (S)	1	
17	316-171	STOPPER	1	
18	322-068	SPINDLE (E)	1	
19	319-913	IDLE GEAR SET (2 PCS.)	2	
20	319-914	NEEDLE ROLLER	2	
21	320-877	RING GEAR (C)	1	
22	319-911	WASHER (E)	1	
23	690-1VV	BALL BEARING 6901VVCMP2L	1	
24	322-143	DAMPER	1	
25	319-908	INNER COVER	1	
26	360-613	ARMATURE DC 14.4V	1	
27	320-916	MAGNET (C) ASS'Y	1	
28	319-907	DUST GUARD FIN	1	
29	320-876	BRUSH BLOCK	1	
30	999-054	CARBON BRUSH 5X6X11.5 (1 PAIR)	2	
31	319-918	BRUSH CAP	2	
32	302-086	TAPPING SCREW (W/FLANGE) D4X20 (BLACK)	7	
* 33		NAME PLATE	1	
34		HITACHI LABEL	1	
35	322-074	HOUSING (A).(B) SET	1	
* 36		CAUTION PLATE	1	
37	994-532	MACHINE SCREW (W/SP. WASHER) M3X5	2	
38	321-533	DC-SPEED CONTROL SWITCH	1	
39	320-512	PUSHING BUTTON	1	
40	321-672	TAPPING SCREW D2X6	2	
41	321-918	HOOK ASS'Y (W/LIGHT)	1	INCLUD. 40, 42
42	320-288	V-LOCK NUT M5	1	
43	949-565	LOCK NUT M4 (10 PCS.)	1	
44	306-952	STRAP (BLACK)	1	
45	320-882	SLEEVE	1	
46	676-386	MACHINE SCREW (W/WASHERS) M4X25	1	
47	319-926	HOOK SPRING	1	
48	320-881	SPECIAL SCREW (A) M5	1	
* 49	318-372	BATTERY EB 1430H (W/ENGLISH N.P.)	2	
* 49	315-130	BATTERY EB 14B (W/ENGLISH N.P.)	2	
* 49	315-129	BATTERY EB 14B (W/ENGLISH N.P.)	1	FOR USA, CAN

**STANDARD ACCESSORIES**

ITEM NO.	CODE NO.	DESCRIPTION	NO. USED	REMARKS	
501		CHARGER (MODEL UC 14YF2)	1		
502	322-070	CASE	1		

**OPTIONAL ACCESSORIES**

ITEM NO.	CODE NO.	DESCRIPTION	NO. USED	REMARKS	
601	321-823	DRILL CHUCK AND ADAPTER SET	1	INCLUD. 616, 618	
602	309-922	GREASE FOR IMPACT DRIVER (500G)	1		
603	992-671	+ DRIVER BIT (B) NO.2 50L	1		
604	992-672	+ DRIVER BIT (B) NO.3 50L	1		
605	996-177	NON-MAGNETIC HEX. SOCKET 8MM 65L	1		
606	985-329	NON-MAGNETIC HEX. SOCKET 10MM 65L	1		
607	996-178	NON-MAGNETIC HEX. SOCKET 12MM 65L	1		
608	996-179	NON-MAGNETIC HEX. SOCKET 13MM 65L	1		
609	996-180	NON-MAGNETIC HEX. SOCKET 14MM 65L	1		
610	996-181	NON-MAGNETIC HEX. SOCKET 16MM 65L	1		
611	996-182	NON-MAGNETIC HEX. SOCKET 17MM 65L	1		
612	996-185	NON-MAGNETIC HEX. SOCKET 15MM 65L	1		
613	996-186	NON-MAGNETIC HEX. SOCKET 19MM 65L	1		
614	996-197	HEX. SOCKET (LONG) 21MMX166L	1		
615	996-184	BIT PIECE	1		
616	987-575	CHUCK WRENCH FOR 10VLB-D,10VLR-D	1		
617	930-119	CHUCK WRENCH 6.5G	1		
618	307-543	CHUCK ADAPTER	1		

