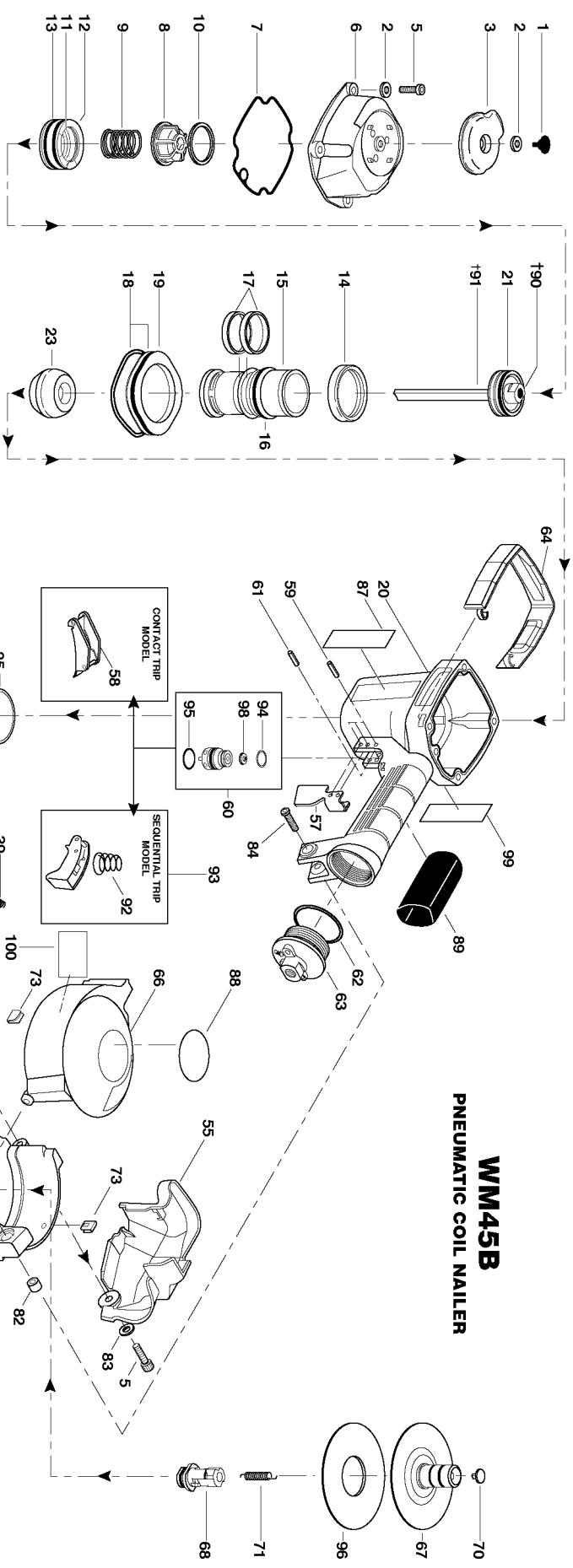
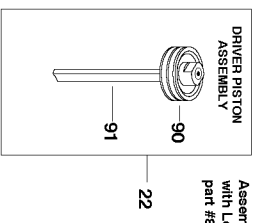


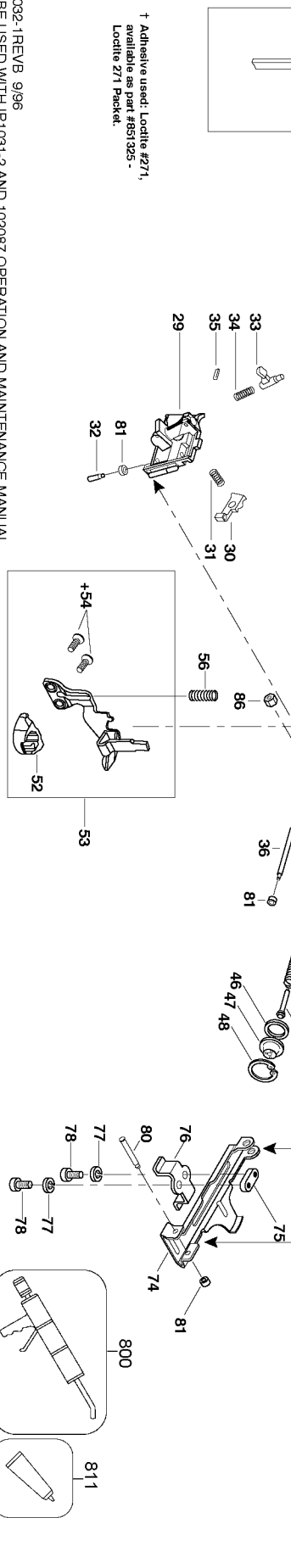
WM45B PNEUMATIC COIL NAILER



Assemble driver to main piston
with Loctite #271, available as
part #891325 - Loctite 271 Packet.



† Adhesive used: Loctite #271,
available as part #891325 -
Loctite 271 Packet.



Parts List for WM45B Type 0

Item Number	Part Number	Description	Qty Required
1	MSLC6100-16	SCREW- SLHCS M6 X 1.	1
2	MPW6.3	WASHER-PWN M6	5
3	T55034	COVER-EXHAUST	1
5	MSC6100-30	SCREW-SHCS-M6X1.00X3	5
6	159849	SLEEVE-CYLINDER	1
7	100212	GASKET	1
8	T55050	BUMPER-TOP	1
9	854016	SPRING-HEAD VALVE	1
10	T55031	RING-BUMPER	1
11	MRG041630	O-RING-1.638X.118	1
12	102943	VALVE-HEAD	1
13	MRG052526	O-RING-2.067X.103	1
14	T60006	SEAL-CYLINDER	1
15	159849	SLEEVE-CYLINDER	1
16	850006	O-RING-1.987X.103	1
17	T60021	SEAL-CHECK	2
18	100309	O-RING-2.887X.139	2
19	100181	RING	1
20	100002	FRAME	1
21	850607	O-RING	1
22	101961	PISTON/DRIVER ASSY	1
23	101200	BUMPER-LOWER	1
24	159637	DRIVER GUIDE	1
25	102301	SEAL-NOSE	1
27	000000-00	No Longer Available	1
28	MSC6100-22	SCREW-SOC HD. CAP M6	1
29	104738	DOOR	1

Parts List for WM45B Type 0

Item Number	Part Number	Description	Qty Required
30	102150	PAWL-CHECK	1
31	854011	COMPRESSION SPRING	1
32	100313	PIN-CHECK PAWL	1
33	N70150	LATCH DOOR	1
34	101408	SPRING-COMPRESSION	1
35	MPG030012	PIN SPRING	1
36	122592	PIN-SPECIAL	1
37	104087	PAWL-FEED	1
38	100315	PIN-FEED PAWL	1
39	100316	SPRING-COMPRESSION	1
40	MRG009824	O-RING-.386X.094	1
41	159822	PISTON-FEED	1
42	851437	O-RING-.819X.095	1
43	N65042	COMP SPRING 3428	1
44	N65043	COMP SPRING 3335	1
45	N65044	SPRING GUIDE	1
46	N70162	STOP-FEED PISTON	1
47	N65045	COLLAR-SPRING	1
48	MRB026	RETAINING RING- METR	1
53	102996	ASSEMBLY-TRIP ARM	1
55	100321	COVER- TRIP-	1
56	100874	SPRING-COMPRESSION	1
57	100323	GUIDE	1
58	N50082A	ASSEMBLY-TRIGGER	1
59	102549	PIN-SPECIAL SPIROL M	1
60	TVA6	KIT-TRIGGER VALVE	1
61	MPP030020	PIN-SPIRAL M3X20MM	1

Parts List for WM45B Type 0

Item Number	Part Number	Description	Qty Required
62	850235	O-RING-1.487X.103	1
63	000000-00	No Longer Available	1
64	100219	FRAME PROTECTOR	1
65	100213	CANISTER	1
66	100214	COVER	1
67	100308	PLATFORM-CANISTER	1
68	000000-00	No Longer Available	1
69	N12113	POST RETAINER	1
70	000000-00	No Longer Available	1
71	101773	SPRING ASSEMBLY	1
73	100326	WEAR CLIP- CANISTER	2
74	000000-00	No Longer Available	1
75	000000-00	No Longer Available	1
76	000000-00	No Longer Available	1
77	000000-00	No Longer Available	2
78	MSC6100-12	SCREW-SHCS-M6X1.00X1	2
79	100217	PIVOT	1
80	100328	PIN-GAGE BRACKET	1
81	N12112	HINGE PIN RETAINER	4
82	100329	BUSHING- CANISTER	1
83	MPW6.2	WASHER.SPECIAL	2
84	MSC6100-25	SCREW-SHCS-M6X1.00X2	1
86	MHE6100-100	NUT-ESN M6X1	1
89	107490	GRIP-HANDLE	1
90	100211	PISTON	1
91	101961	PISTON/DRIVER ASSY	1
92	100387	SPRING-COMPRESSION	1

Parts List for WM45B Type 0

Item Number	Part Number	Description	Qty Required
93	000000-00	No Longer Available	1
94	86459	O-RING	1
95	851554	O-RING-.703X.103	1
96	000000-00	No Longer Available	1
97	101584	MAGNET BUSHING ASSEM	1
98	TVA6	KIT-TRIGGER VALVE	1
100	103648	LABEL-PLATFORM ADJUS	1
800	100653	LUBE (2CC)	1
800	100679	LUBE (1LB.CAN)	1
811	851325	LOCTITE	1