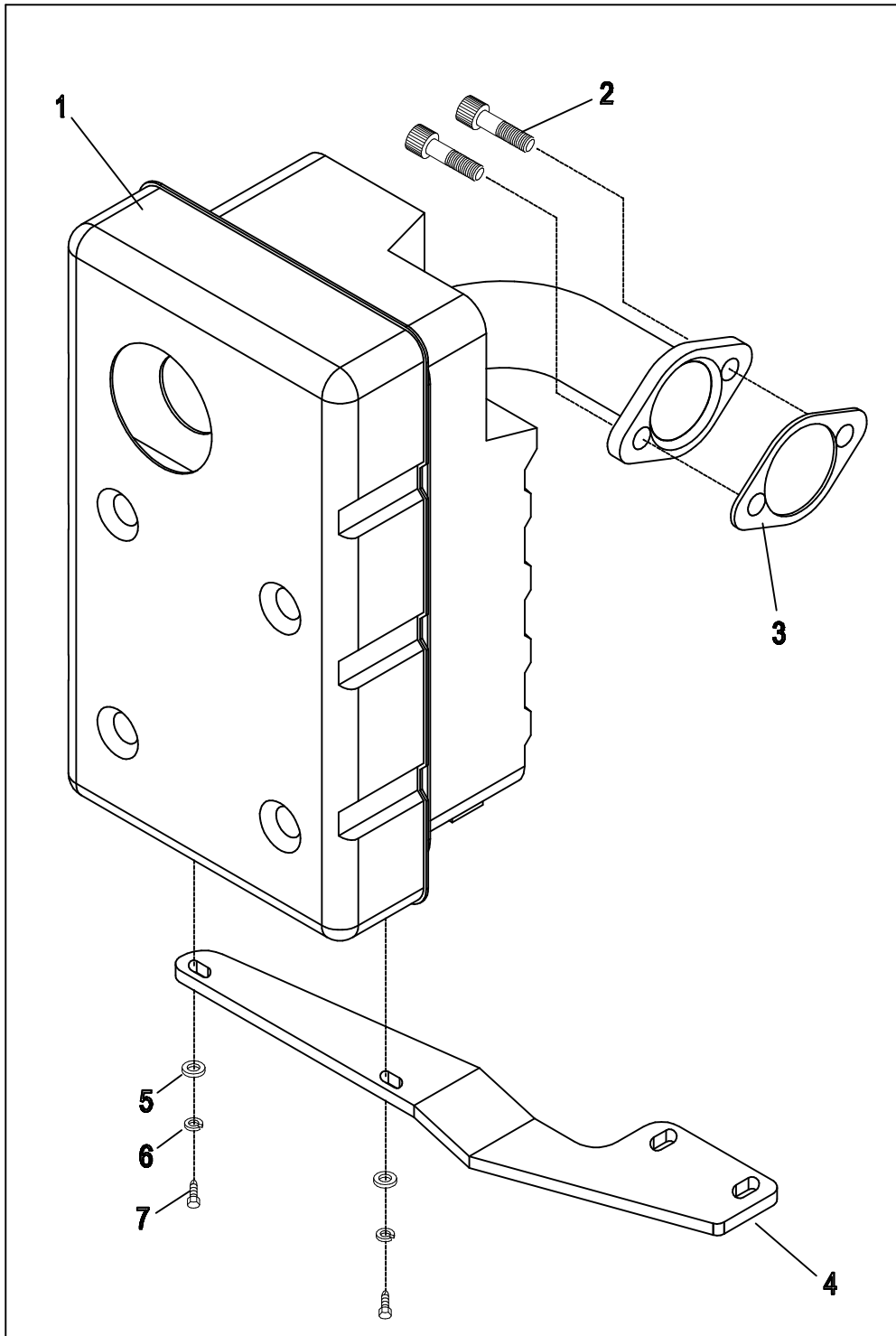


APPLICABLE TO:

MUFFLER OPTION
ENGINE PRODUCTION LEVEL 9E



**EXPLODED VIEW: MUFFLER, 410 SIDE OUT
DRAWING #: 0E5081 REV. B**

GROUP

APPLICABLE TO:

| ITEM | PART # | QTY. | DESCRIPTION |
|-------------|---------------|-------------|----------------------------------|
| 1 | 0E5223A | 1 | MUFFLER, 410 SIDE-OUT ALUMINIZED |
| 2 | 0G3730 | 2 | SCREW SHC M8-1.25 X 20 SEMS |
| 3 | 090239 | 1 | GASKET, EXHAUST |
| 4 | 0E6047 | 1 | BRACKET, GH410 MUFFLER SUPPORT |
| 5 | 022473 | 2 | WASHER FLAT ¼ - M6 ZINC |
| 6 | 022097 | 2 | WASHER LOCK M6 - ¼ |
| 7 | 043146 | 2 | SCREW HHC M6-1.0 X 10 G8.8 |