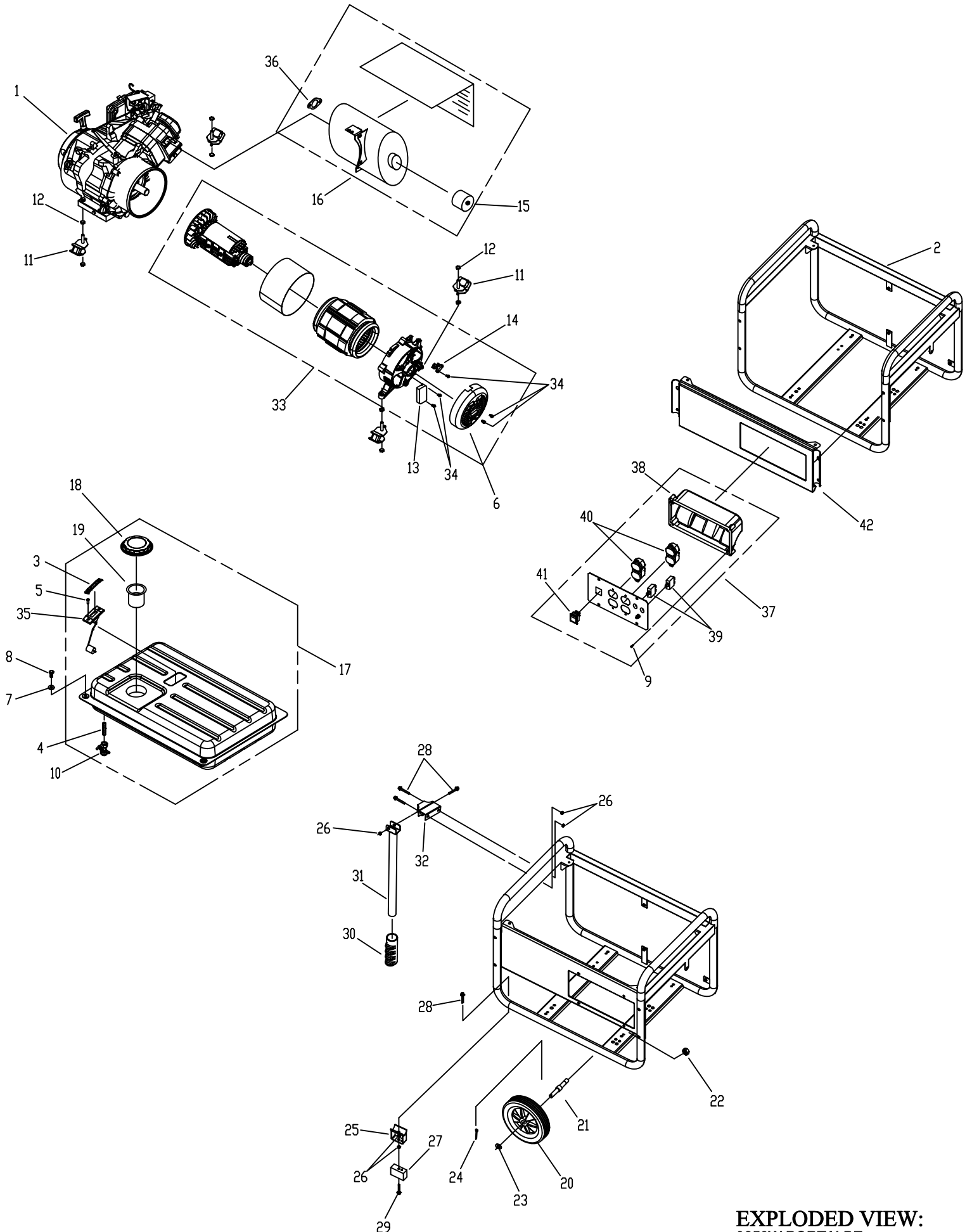


# GROUP



ITEM	PART #	QTY.	DESCRIPTION
1	0H0393	1	ENGINE, 208CC
2	0H3866	1	FRAME, 1-PIECE 3250W
3	0H1359	1	PLATE, FUEL GAGE
4	0H1613	1	FILTER, FUEL VALVE
5	0H1357	2	SCREW, PFHM M5-0.8 x 12
6	0H3850	1	COVER, ALTERNATOR, 1800W / 3250W
7	0D5303	4	WASHER, FLAT 0.25" ID x 1" OD
8	0C8566	4	SCREW, HHFC M6-1.0 x 20
9	0G8382	8	SCREW, PPPH #8-16 x 0.66"
10	0H0406	1	VALVE, FUEL SHUTOFF
11	0H0389	4	VIBRATION MOUNT, M8-1.25 THREADS
12	067989	8	NUT, HEX FLANGE WHIZ M8-1.25
13	0H0402	1	AVR
14	0H0403	1	BRUSH ASSEMBLY
15	0H0392	1	SPARK ARRESTOR
16	0H0391	1	MUFFLER ASSEMBLY
17	0H3865	1	ASSY, FUEL TANK
18	0H0775	1	FUEL CAP, VENTED
19	0H1326	1	FUEL FILTER
20	0H0377	2	WHEEL, 7" DIAMETER 3250W
21	0H0821	2	AXLE WHEEL, M12-1.75 THREADS
22	052860	2	NUT, TOP LOCK FLANGE M12-1.75
23	0H0851	2	WASHER, FLAT M12
24	0D4999	2	PIN, COTTER 1/8" x 1-1/4"
25	0H0820	2	BUMPER BRACKET 3250W
26	0E8388	7	NUT, HEX FLANGE M6-1.0
27	0H0854	2	RUBBER BUMPER, 3250W
28	051753	5	SCREWM HHC M6-1.0 x 40
29	047411	2	SCREW, HHC M6-1.0 x 16
30	0H0818	1	RUBBER GRIP, HANDLE 3250W
31	0H0378	1	HANDLE, PORTABLE 3250W
32	0H0819	1	ASSY, HANDLE BRACKET 3250W
33	0H0401	1	ASSEMBLY, ALTERNATOR BRUSH TYPE 3250W
34	091526	5	SCREW, PPHM M5-0.8 X 12
35	0H3383	1	GAUGE, FUEL 4 GALLON TANK
36	0H3833	1	GASKET, MUFFLER 196CC / 208CC
37	0H0387A	1	CONTROL PANEL ASSEMBLY 05724-1
38	0H3848	1	RECEPTACLE PANEL, 1800 / 3250W
39	0H3849	2	CIRCUIT BREAKER, 13.5 AMP
40	0G8507	2	OUTLET, 20A 120V DUPLEX
41	0H3414	1	SWITCH, ON / OFF
42	0H5621	1	RAIL, PANEL 057231 / 057241