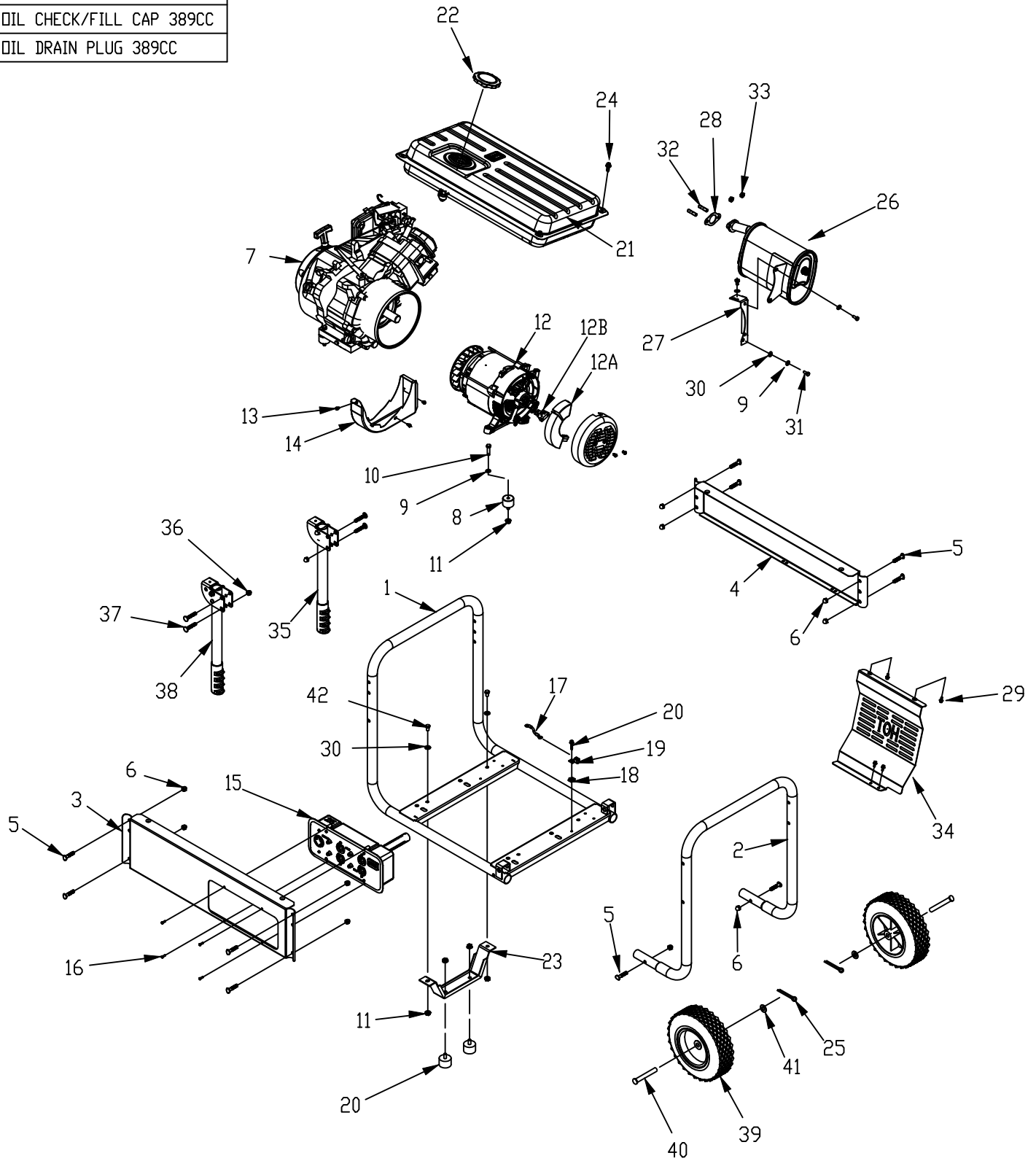


| SERVICE PARTS: |                           |
|----------------|---------------------------|
| PART #:        | PART DESCRIPTION:         |
| 0G9794         | ELEMENT, AIR FILTER 389CC |
| 0G9795         | SPARK PLUG 389CC          |
| 0G9796         | SPARK PLUG WRENCH         |
| 0G9798         | ASSY RECDIL 389CC         |
| 0G9799         | OIL CHECK/FILL CAP 389CC  |
| 0G9800         | OIL DRAIN PLUG 389CC      |



MODEL: 005738-0  
GP 5kW PULL START CSA

| ITEM # | PART #      | QTY | DESCRIPTION                               |
|--------|-------------|-----|---|
| 1      | 0H01680ST15 | 1   | ASSY CRADLE BASE PAINT: 15ORANGE          |
| 2      | 0G83260ST15 | 1   | CRADLE END PAINT:15ORANGE                 |
| 3      | 0G83270ST03 | 1   | PANEL RAIL PAINT: 03BLACK                 |
| 4      | 0G83280ST03 | 1   | BACK RAIL PAINT: 03BLACK                  |
| 5      | 0G8467      | 10  | CURVED HEAD BOLT 5/16-18 x 1.625" LONG    |
| 6      | 0G8486      | 10  | CAP NUT LOCKING 5/16-18                   |
| 7      | 0G8442      | 1   | ENGINE, 389cc W/D MUFFLER                 |
| 8      | 0G8527      | 4   | VIB MOUNT RUBBER 1.38 x 1.0 x 5/16-18     |
| 9      | 022129      | 8   | WASHER LOCK M8-5/16                       |
| 10     | 033212      | 4   | SCREW HHC 5/16-18 X 1-1/4 G5              |
| 11     | 069673J     | 10  | NUT, LOCK FLANGE 5/16-18                  |
| 12     | SEE CHART   |     | ALTERNATOR & ALTERNATOR REPLACEMENT PARTS |
| 13     | 0E5845      | 3   | SCREW HHC M5-0.8 X 8 PC8.8                |
| 14     | 0G8654      | 1   | SCROLL, ALTERNATOR, SKU                   |
| 15     | 0G9892G     | 1   | ASSY CSA PANEL 23A 2P W/HOUR METER        |
| 16     | 0G8382      | 4   | SCREW PPPH #8-16 X 1/2" BZC               |
| 17     | 0G8753C     | 1   | ASSY GND WIRE ALT TO BASE                 |
| 18     | 0A1658      | 1   | WASHER LOCK SPECIAL 1/4"                  |
| 19     | 055414      | 1   | LUG SLDLSS #2-#8 X 17/64 CU               |
| 20     | 0G8478      | 2   | RUBBER FOOT                               |
| 21     | 0G8430      | 1   | FUEL TANK ASSY 6.6 GAL PORTABLE           |
| 22     | 0H1325A     | 1   | FUEL CAP, VENTED                          |
| 23     | 0H11140ST03 | 1   | FRAME, BENT, FOOT BLACK 03                |
| 24     | 0G5445      | 4   | SCREW HHTT M8-1.25 X 20                   |
| 25     | 0D4999      | 2   | PIN, COTTER, 1/8"x1-1/4" ZINC PLATE       |
| 26     | 0G8543      | 1   | MUFFLER, 389CC PORTABLE                   |
| 27     | 0G8542      | 1   | MUFFLER BRACKET                           |
| 28     | 0G9028      | 1   | GASKET, EXHAUST, 389CC                    |
| 29     | 090388      | 4   | SCREW HHTT M6-1.0 X 12                    |
| 30     | 022145      | 6   | WASHER FLAT 5/16-M8 ZINC                  |
| 31     | 051754      | 3   | SCREW HHC M8-1.25 X 12 G8.8 FT            |
| 32     | 045761M     | 2   | STUD M8-1.25 X 35 G5 ZINC                 |
| 33     | 045771      | 2   | HEX NUT M8-1.25 G8 CLEAR ZINC             |
| 34     | 0G87130ST03 | 1   | SHIELD, HEAT SKU 5, 5.5, 6.5 KW           |
| 35     | 0G8530B     | 1   | ASSY HANDLE LH ORANGE159C                 |
| 36     | 0G8486      | 2   | CAP NUT LOCKING 5/16-18                   |
| 37     | 0H0031      | 4   | CARRIAGE HEAD BOLT 5/16-18 x 1.75" LONG   |
| 38     | 0G8533B     | 1   | ASSY HANDLE RH ORANGE159C                 |
| 39     | 0G8651      | 2   | TIRE 9.5" DIA PLASTIC HUB/RUBBER TREAD    |
| 40     | 0H0204      | 2   | AXEL PIN, 1/2" x 4", 3/4" HEAD            |
| 41     | 022304      | 2   | WASHER FLAT, 1/2" ZINC                    |
| 42     | 036223      | 4   | SCREW, HHC 5/16-18 X 1/2"                 |

| DESC: | ALTERNATOR | AVR        | BRUSH      | P/N LABEL | PAINT DOT COLOR |
|-------|------------|------------|------------|-----------|-----------------|
| ITEM  | 12         | 12A        | 12B        | 12C       | N/A             |
| P/N:  | 0G9924     | 0G99240101 | 0G99240102 | 0H1219    | BLUE            |