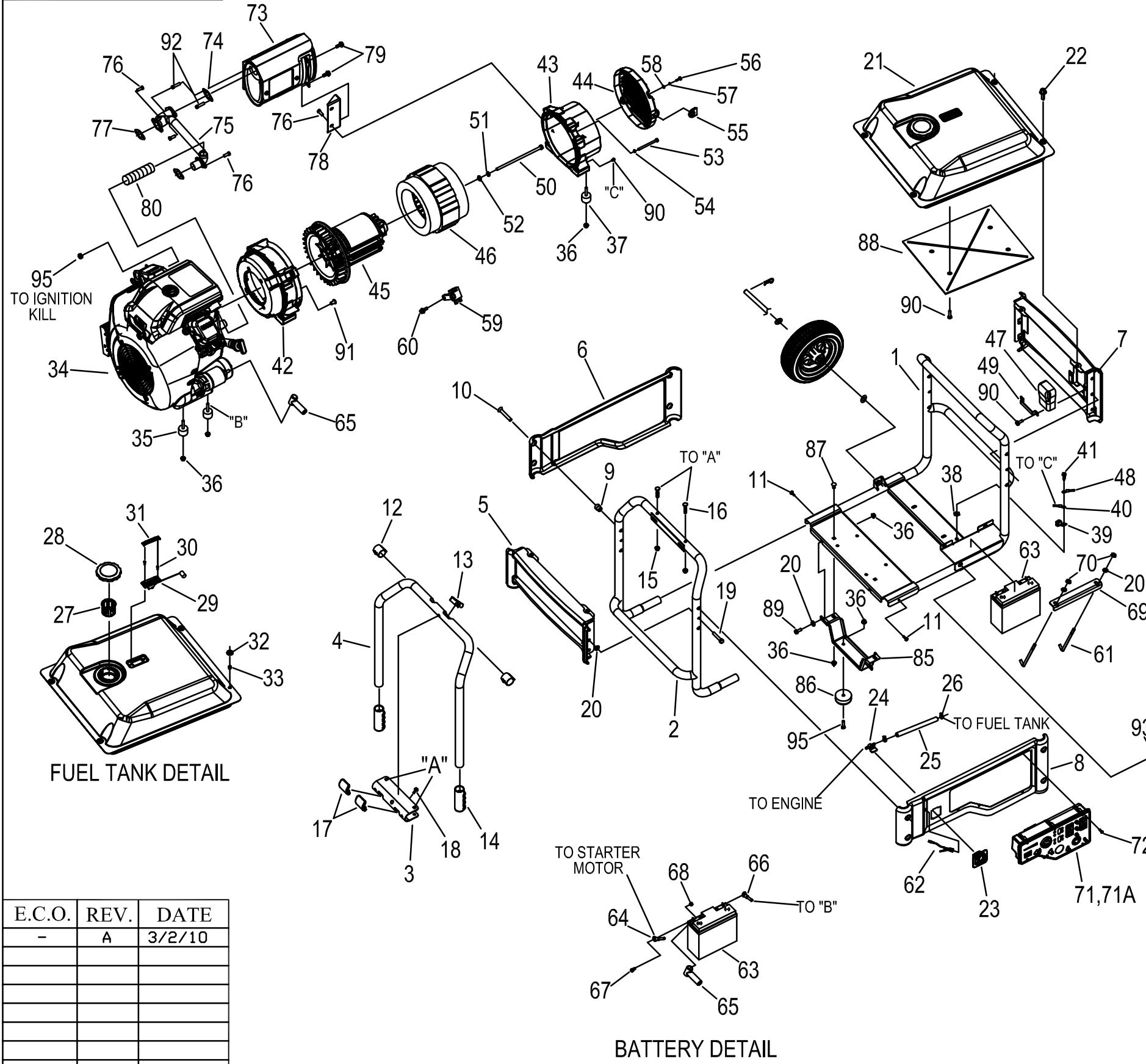


PART NO. 0H3111



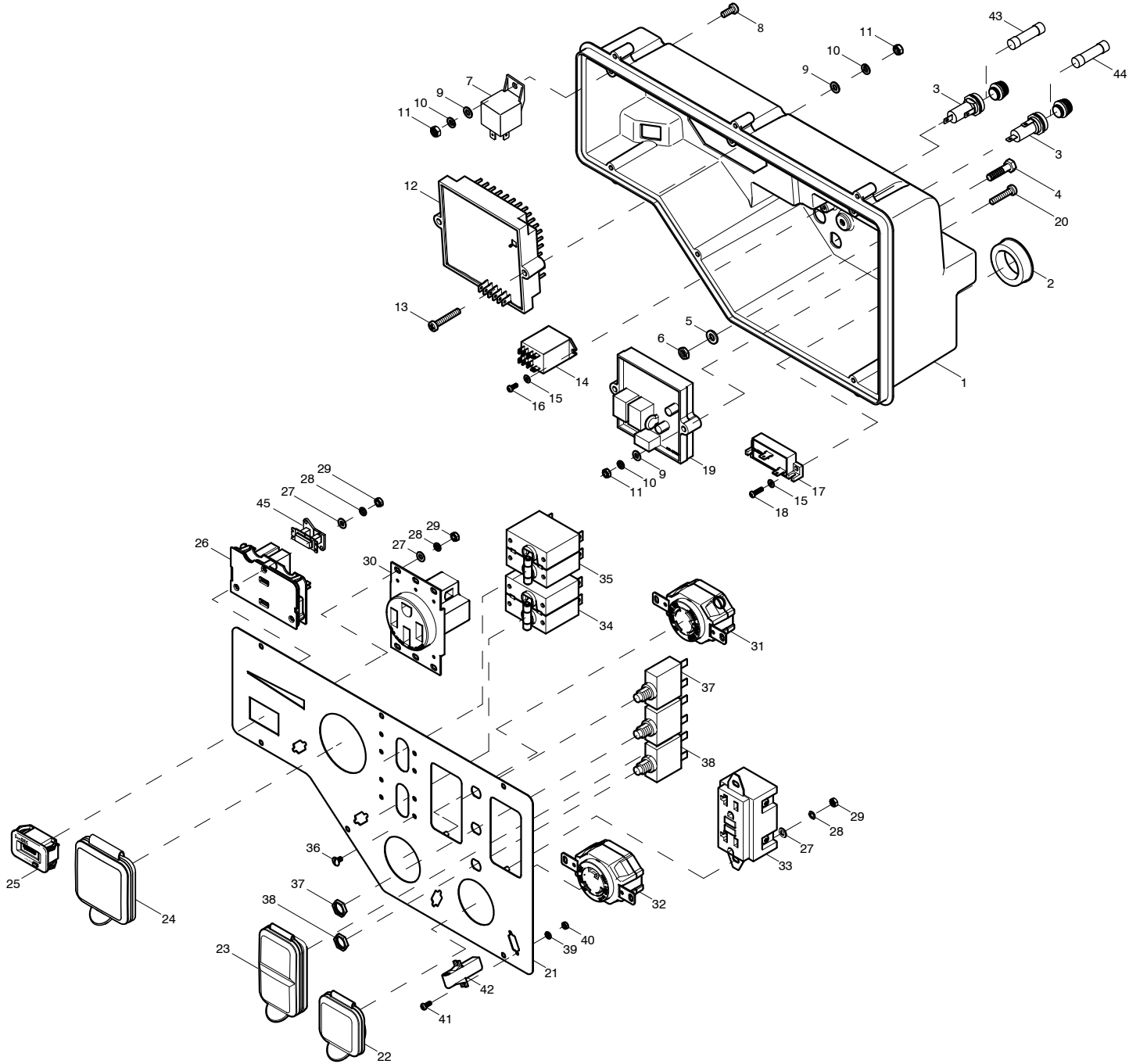
ITEM	PART #	QTY.	DESCRIPTION	ITEM	PART #	QTY.	DESCRIPTION
1	0H3668	1	CRADLE, ALTERNATOR END	51	022237	1	WASHER, LOCK 3/8"
2	0H3673	1	CRADLE, ENGINE END	52	022131	1	WASHER, FLAT 3/8-M10
3	0H5853	1	BRACKET, HANDLE MOUNT	53	087712	4	SCREW, HHC M8-1.25 X 110
4	0H3679	1	TUBE, HANDLE	54	022129	4	WASHER, LOCK M8-5/16
5	0H3478	1	END PANEL, ENGINE SIDE	55	0G5206	1	GROMMET, WIRE SLEEVE
6	0H3495A	1	PANEL, MUFFLER SIDE	56	020911	4	SCREW, PPHM M5-0.8 X 30
7	0H4704	1	END PANEL, ALTERNATOR SIDE	57	022152	4	WASHER, LOCK #10
8	0H3495B	1	PANEL, CONTROL PANEL SIDE	58	023897	4	WASHER, FLAT #10
9	0H5307	8	SPACER, SELF LOCATING	59	066386	1	ASSEMBLY, BRUSH HOLDER
10	0H6059	8	SCREW, FHSC M8-1.25 X 60	60	066849	2	SCREW, HHTT M5-0.8 X 16
11	0H5030	2	SCREW, HHSD 1/4 - 20 X 7/8	61	0D3545A	2	J-BOLT M8-1.25 X 200
12	0H2205	2	BEARING, HANDLE	62	0H5857	1	ASSEMBLY, 12VDC POWER JACK
13	0G5442	1	SNAP BUTTON 0.437" DIA HEAD	63	0H1663	1	BATTERY, 12V 18AH SEALED
14	0G8465	2	GRIP, NUBBED 1-1/4" X 4-3/8"	64	0H6167C	1	ASSY, WIRE BATT (+) TO STARTR
15	0G8486	2	CAP NUT, 5/16-18	65	075763A	2	BOOT, BATTERY CABLE
16	0H6887	2	BOLT, CARRIAGE, 5/16-18 X 2"	66	0H6167B	1	ASSY, WIRE BATTERY NEGATIVE
17	0H3854	2	HANDLE STOP	67	052618	2	SCREW, HHC M5-0.8 X 12
18	0G0926	2	SCREW, HHFCS M6-1.0 X 16	68	0H3535	2	NUT, FLANGE M5-0.8 NYLOCK
19	051731	4	SCREW, HHC M8-1.25 X 50	69	0H5246	1	BRACKET, BATTERY HOLD DOWN
20	022145	8	WASHER, FLAT 5/16-M8	70	049820	2	NUT HEX LOCK M8-1.25 NY INSR
21	0H3803	1	ASSY, FUEL TANK 10 GALLON	71	0H4670	1	ASSY, CONTROL PANEL
22	0G5445	4	SCREW, HHTT M8-1.25 X 20	71A	0D4804B	1	TRANSFORMER, IDLE CURRENT
23	0H2142	1	VALVE HOLDER, FUEL SHUTOFF	72	0G8382	6	SCREW, PPPH #8-16X 0.66"
24	0H3419	1	VALVE, FUEL SHUTOFF	73	0H6623	1	ASSEMBLY, MUFFLER GTH-530
25	0H3455F	1	FUEL HOSE, 200mm LONG	74	0C4138	1	GASKET, EXHAUST PORT
26	048031G	2	CLAMP, HOSE BAND	75	0H4563	1	ASSY, EXHAUST MANIFOLD
27	0H1326	1	STRAINER, FUEL CAP	76	0G3730	6	SCREW, SHC M8-1.25 X 20 SEMS
28	0H1325A	1	FUEL CAP, VENTED, CHROME	77	0E9369	2	GASKET, EXHAUST GT-530
29	0H1345A	1	FUEL GAUGE, 90mm LONG	78	0H5228	1	MUFFLER MOUNTING BRACKET
30	0H1357	2	SCREW, PFHM M5-0.8 X 12	79	059637	2	SCREW, HHTT 3/8-16 X 3/4"
31	0H1359	1	PLATE, FUEL GAUGE	80	0H6144	1	TUBE, HEAT RISER 38mm ID
32	0H1411B	4	RUBBER MOUNT	81	0H6257	2	WHEEL
33	0H1610A	4	INSERT, ANTI-CRUSH FOR TANK	82	0H3798	1	AXLE, 530cc XG
34	0G5012	1	ASSEMBLY, ENGINE 530cc	83	0H3443	2	COTTER HAIRPIN 2.56" x 0.80"
35	0H1113	4	VIBRATION MOUNT	84	0H0653	2	WSHR, FLAT 5/8 ID X 0.039" THCK
36	0H6559	16	NUT, HEX FLANGE WHIZ 5/16-18	85	0H3843	1	FOOT SUPPORT, 530cc XG
37	0H5421	2	VIBRATION MOUNT	86	0H7282	2	RUBBER VIBRATION DAMPENER
38	0A1658	1	WASHER, LOCK SPECIAL 1/2"	87	0H5837	2	BOLT, CARRIAGE 5/16-18 X 0.75"
39	055414	1	LUG, SOLDERLESS #2-#8 x 17/64"	88	0H7240	1	HEAT SHIELD, XG10
40	0742600174	1	GND WIRE, BRG CARRIER-FRAME	89	022142	4	SCREW, HHC 5/16-18 X 3/4"
41	0D6029	2	SCREW, HHTT M6-1.0 X 16	90	090388	7	SCREW, HHTT M6-1.0 X 12
42	0H4959B	1	ADAPTOR HOUSING	91	030205	4	SCREW, FHSC 3/8-16 X 3/4"
43	0H4960	1	BEARING CARRIER, 10" ALT.	92	0H8159A	2	SCREW, SHC M8-1.25 x 25 SEMS
44	0H4965	1	END COVER, 10" ALTERNATOR	93	0H7252	2	SPACER, 5/8" AXLE
45	0H5064	1	ROTOR, CANLESS ALTERNATOR	94	082025	1	NUT, HEX LOCK M5-0.8 NYL INS
46	0H5065	1	STATOR CANLESS ALTERNATOR	95	030795	2	SCREW, HHC 5/16-18 X 1
47	0G8023F	1	BATTERY CHARGER 13.4VDC 2.5A	96	0H6167D	1	BRUSH WIRE ASSY GND TO ALT (NOT PICTURED)
48	0H6167A	1	ASSY, WIRE PANEL / FRAME GRD	97	0H6167E	1	BRUSH WIRE ASSY V-REG TO ALT (NOT PICTURED)
49	0H5345	1	HOLD DOWN BRKT, BATT. CHRGR				
50	0H5752	1	SCREW, IHHC 3/8-24 X 10.75"				

E.C.O.	REV.	DATE
-	A	3/2/10

DO NOT SCALE

GROUP

EXPLODED VIEW:		10KW GENERATOR PARTS		GENERAC POWER SYSTEMS	
DRAWN BY:	DMC	DATE:	7/6/10	P.O. BOX 8 WAUKESHA, WIS. 53186	
CHECKED BY:	CR	DATE:	7/6/10	FIRST USE:	05802-0
APPROVED BY:	D. VALERIO	DATE:	7/13/10	PART NO.:	0H3111
RELEASED FOR PRODUCTION BY:	KATHY BAUER	DATE:	7/14/10	REV.:	A



ITEM	PART	QTY.	DESCRIPTION
1	0H4697	1	ENCLOSURE, RECEPTACLE PNL, XG10
2	023484H	1	BUSHING SNAP SB-1500-18
3	0H6856	2	FUSE HOLDER, 10A/250VAC, R3-13
4	045757	2	SCREW HHC M6-1.0 X 25 G8.8
5	049811	2	WASHER FLAT M6
6	066310	2	NUT HEX JAM M6 X 1
7	052844	1	RELAY PNL 12VDC SPDT 30A
8	091526	1	SCREW PPHM M5-0.8 X 12 ZNC
9	051713	5	WASHER FLAT M5
10	049226	5	WASHER LOCK M5
11	051716	5	NUT HEX M5-0.8 G8 CLEAR ZINC
12	0F9719	1	ASSY PCB VREG AIR COOLED 2006
13	020911	2	SCREW PPHM M5-0.8 X 30 ZINC
14	0E3927	1	RELAY, DPDT NO 10A 120VAC COIL
15	052777	4	WASHER FLAT M3
16	084543D	2	SCREW PPPH M3 X 8
17	048512	1	CB 5A 1P AUTO ETA 46-500-P
18	084543A	2	SCREW PPPH M3 X 12
19	0H1835	1	ASSY PCB, PORTABLE CONTROLLER
20	0C8522	2	SCREW PPHM M5-0.8 X 25
21	0H5232	1	CTRL PNL XG10 PAINT W/SILK
22	0G9391	2	COVER, 30A 120/240V
23	0G9392	2	COVER, 20A 120V GFCI/DUPLEX
24	0H3814	1	COVER 50A 120/240V
25	0G8321	1	HOUR METER W/ALERTS AC/DC
26	0H3362D	1	TRULOAD POWERBAR ASSY 8.0KW
27	043180	15	WASHER FLAT M4
28	022264	15	WASHER LOCK #8-M4
29	051715	15	NUT HEX M4-0.7 G8 YEL CHR
30	0D4969	1	OUTLET 50A 125/250V 4W 1258
31	0G8758	1	OUTLET 30A 120/250V SPCGR
32	068868	1	OUTLET 30A 120V RECEPT
33	0D4966	2	OUTLET 20A 120V GFCI GF20BK
34	0G9023C	1	CB 0030A 2P 240V C AA2 QT
35	0G9023L	1	CB 0042A 2P 240V C AA2 QT
36	025105	8	SCREW RHMS 6-32 X 1/4 ZINC
37	0H0265C	2	CB 20A 1P 120V CUL/CSA JOEMEX
38	0H0265E	1	CB 30A 1P 120V CUL/CSA JOEMEX
39	022155	8	WASHER LOCK #6
40	051714	8	NUT HEX M3-0.5 G8 CLEAR ZINC
41	0H3969	8	SCREW, PPHM M3-0.5 X 8 BLK ZNC
42	0H6589	2	DUAL LED ASSEMBLY
43	099727	1	FUSE 5A X AGC5 HLDR32300
44	067682D	1	FUSE, SLOBLO 1.5A GLASS
45	0D4804B	1	XFMR IDLE CURRENT
46	0H5263 *	1	HARNESS POWER V-T XG
47	0H5852 *	1	HARNESS, C/PNL XG10

* ITEM 46 AND 47 NOT SHOWN