

EXPLODED VIEW: ENGINE GTH 530

DRAWING #: 0H1732

GROUP D

ITEM	PART#	QTY.	DESCRIPTION
PAGE 1			
1	078699B	6	SLEEVE DOWEL PIN 12 DIA
2	0D4788	1	PLUG STD PIPE 3/8 S TEEL SQ HEAD
3	0E3812	2	SEAL CRANKSHAFT OIL-35 DIA
4	0E9310A	1	SUBASSEMBLY CRANKCASE GTH530
5	0E9412	1	BEARING 35MM ID GT530
6	0H6779	1	BEARING NEEDLE 8X12X8 OPEN
7	043790A	1	ELBOW 90 DEG 3/8 NPT WVS
8	0C5733	1	PLUG EXPANSION
9	0G1062E	1	CRANKSHAFT GTH530
10	0E9347	1	GEAR CRANKSHAFT
11	0E9326	1	GEAR CAMSHAFT GT530
12	0E9324A	1	CAMSHAFT MACHINED W/CRL
13	0E9314A	1	COVER GEAR MACHINED
14	067156	3	SCREW M6-1 X 30 SEMS
15	0C3027	1	O-RING 3/8 X 1/2
16	0E9358	1	PICK UP SCREEN OIL
17	0E9370	1	GASKET OIL FILTER ADAPTOR
18	0E9505A	1	ASSEMBLY OIL COOLER ADAPTOR W/PRES RELIEF
19	036261	2	RIVET POP
20	0G6431A	3	SCREW SHC M6-1 X 30
21	0A5776	1	BALL RELIEF
22	0C5314A	1	GEROTOR INNER GT530
23	0C5315A	1	GEROTOR OUTER GT530
24	0E9345	1	GEAR GEROTOR GT530
25	0E9382	1	COVER GEROTOR
26	0E9399	1	COVER GEAR SHIELD
27	0E9482	1	SPRING OIL PRESSURE RELIEF
28	0A7811	1	SPOOL GOVERNOR
29	0C2983	1	SHAFT GOVERNOR
30	0C2985A	2	BEARING ROLLER GOV TOP PLATE
31	0C2985B	1	ROLLER BEARING
32	0E9356	1	GEAR GOVERNOR
33	0E9378	2	FLYWEIGHT GOVERNOR
34	0E9515	2	PIN GOVERNOR FLYWEIGHT RETAINER
35	084186	4	WASHER VALVE SPRING WEAR
36	088156	2	SEAL VALVE STEM
37	0C3590	2	VALVE EXHAUST
38	0C3591	2	VALVE INTAKE
39	0C3592	8	KEEPER VALVE SPRING
40	0C3733	4	VALVE RETAINER
41	0C4390	4	SPRING VALVE SF
42	0E9304	1	ASSY CLY HEAD 1 GUIDES AND SEATS
43	0E9305	1	ASSY CYL HEAD 2 GUIDES AND SEATS
44	076390	4	RING RETAINING
45	0G4379A	2	RING PISTON TOP N 75
46	0G4379B	2	RING PISTON 2 ND N 75
47	0G4379C	4	RING PISTON OIL RAIL N 75
48	0G4379D	2	RING PISTON OIL SPACER N 75
49	0G1054A	2	ASSY CONROD GT530
50	0G4331	2	PISTON COATED N 75
51	076389	2	PIN PISTON
52	083235	4	TAPPET 7.5 DIA
53	0E9357	1	SEAL GOVERNOR ARM GT530
54	0E9381	2	SHIM GOVERNOR ARM 8X14X1
55	0E9354	1	ARM GOVERNOR
57	0C5943	1	SEAL OIL PASSAGE
58	0E9350	1	GASKET CRANKCASE
59	073144	9	SCREW HHFC M8-1.25 X 45
60	0E9502	1	SEPARATOR OIL
61	0E9366	1	GASKET BREATHER ASSY
62	0E9367A	1	ASSY BREATHER PLASTIC
63	0E3372C	1	SEPARATOR OIL BREATHER
64	0C8566	2	SCREW HHFC M6-1.0 X 20

EXPLODED VIEW: ENGINE GTH 530

DRAWING #: 0H1732

GROUP D

ITEM	PART#	QTY.	DESCRIPTION
65	0E9351	2	GASKET CYLINDER HEAD
66	077168	12	SCREW HHC M8-1.25 X 56
67	077160	4	ARM ROCKER GH220
68	077161	4	STUD ROCKER ARM PIVOT
69	076307	4	NUT JAM M6-0.75 FINE THREAD
70	0E9455E	4	PUSHROD ALUMINUM
71	0E9353A	2	PLATE PUSH ROD GUIDE
72	0E9352	2	GASKET VALVE COVER
73	080318	8	SCREW HHFC M6-1 X 8
74	0E9334C	2	COVER ROCKER
75	0E9368	2	SPARK PLUG
76	0E9407A	1	ASSY CAM & GEAR
77	0E9508	2	RING RETAINING E-STYLE
78	0G0275	1	KIT HEAD ASSY CYL 1
79	0G0276	1	KIT HEAD ASSY CYL 2
80	0G1063E	1	KIT CSHAFT W/PLUG
81	0G4379	2	RING SET
82	0G4473A	2	ASSY PISTON AND CONNECTING ROD
83	0D4614	1	SCREW SHC 5/16-24 X 3/8

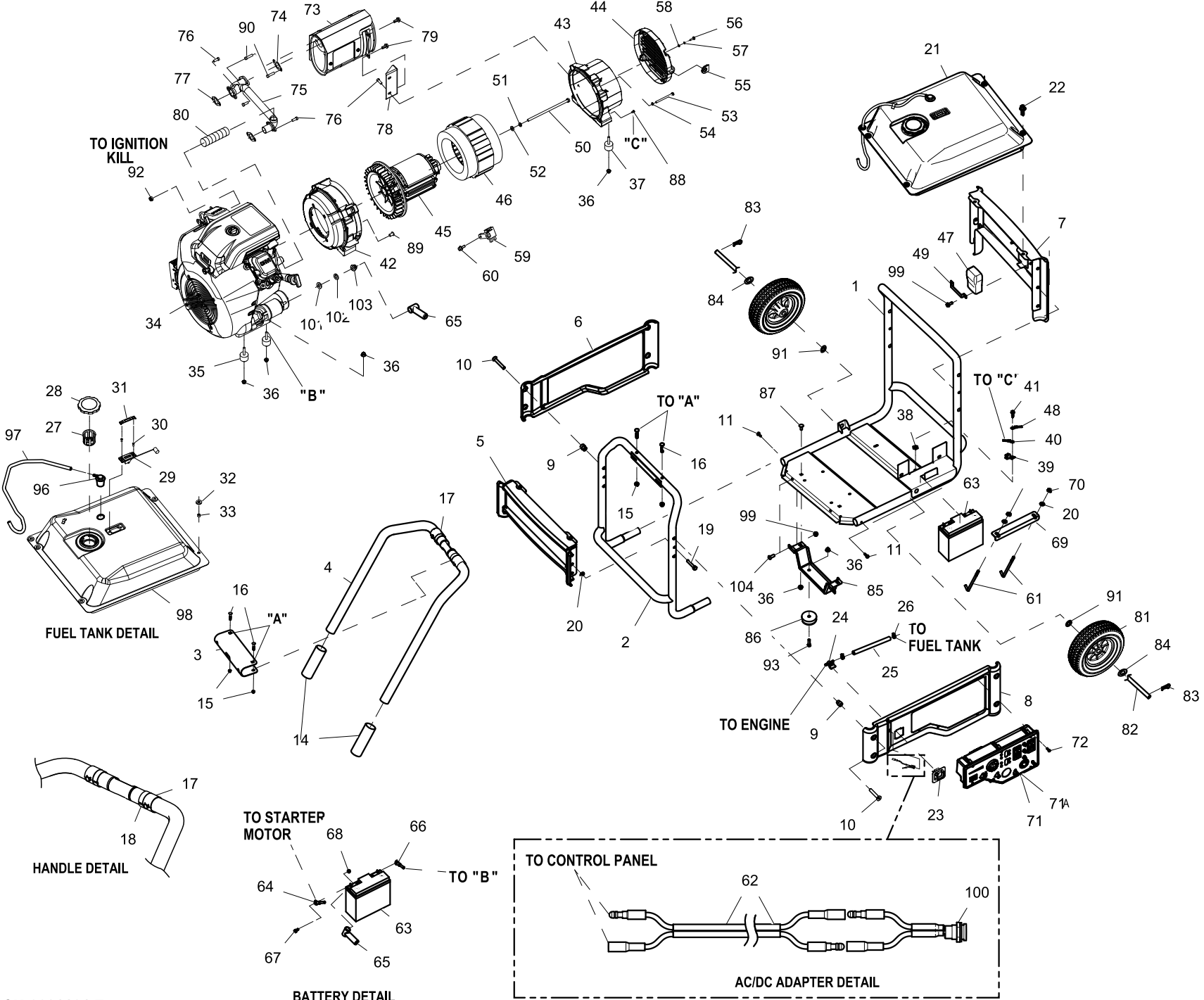
PAGE 2

1	061906	2	SCREW HHC M8-1.25 X 85
2	022129	2	WASHER LOCK M8-5/16
3	10000001020	1	STARTER MOTOR GEAR REDUCED 1KW
4	0G0919	7	SCREW HHFCS M6-1 X 12
5	0E9507	5	SCREW HHFC M8-1.25 X 14
6	0E9362	2	LIFTING HOOK GT530
7	0G7611	1	WRAPPER INNER CYL #2
8	0G7610	1	WRAPPER INNER CYL #1
9	0G7609	1	WRAPPER OUTER CYL #2
10	0G7608	1	WRAPPER OUTER CYL #1
11	0E4998	1	SCREW CONNECTOR
12	0G5762	1	GROUND POST MOUNT BLOCK
13	0G1705	13	SCREW HHFC M6-1.0 X 8
14	051716	1	NUT HEX M5 X 0.8
15	0G4985	1	BACKPLATE GT530
16	082774	1	KEY WOODRUFF 4 X 19D
17	0E9525A	1	ASSY FLYWHEEL AND RING GEAR 29 DEG
18	067198N	1	WASHER BEL V-20 X 2.2
19	067890	1	HEX NUT METRIC
20	0F1177	1	ASSY GROUNDING WIRE (NOT SHOWN)
21	0G3251A	1	ASSY IGN COIL W/DIODE GTH530 CYL 1
22	0G3251B	1	ASSY IGN COIL W/DIODE GTH530 CYL 2
23	0G6432	4	SCREW HHC M6-1.25 X 12
24	0H6213	2	SCREW HHFCS M8-1.25 X 12
25	0E9486A	1	FAN FLYWHEEL
26	0C3032	1	PLATE FAN GV-990
27	0G3662B	6	CLAMP HOSE OETIKER STEPLESS 18.5
28	0F0452E	1	HOSE 3/8" PUSH ON (191 MM)
29	0F0452C	1	HOSE 3/8" PUSH ON (152 MM)
30	0E9406	1	OIL COOLER GT530
31	070185E	1	FILTER OIL 90MM NO BRAND
32	0H1315	1	SWITCH LOW OIL PRESSURE
33	0E9376	1	MANIFOLD INTAKE GT530
34	0E9471	1	GASKET INTAKE MANIFOLD TO CARBURETOR
35	078643B	2	BOLT CARB MOUNT
36	096290C	2	STUD M6-1 X 90 DRI-LOC
37	0E9383F	1	CARBURETOR
38	0E9472	1	GASKET AIRBOX TO CARBURETOR
39	0E9421	1	ASSY GOVERNOR ROD
40	0F9176D	1	HOSE 1/4" GREENBAR SAE30R7 6"
41	048031N	2	CLAMP HOSE BAND 0.530
42	0D6313	1	FILTER, FUEL

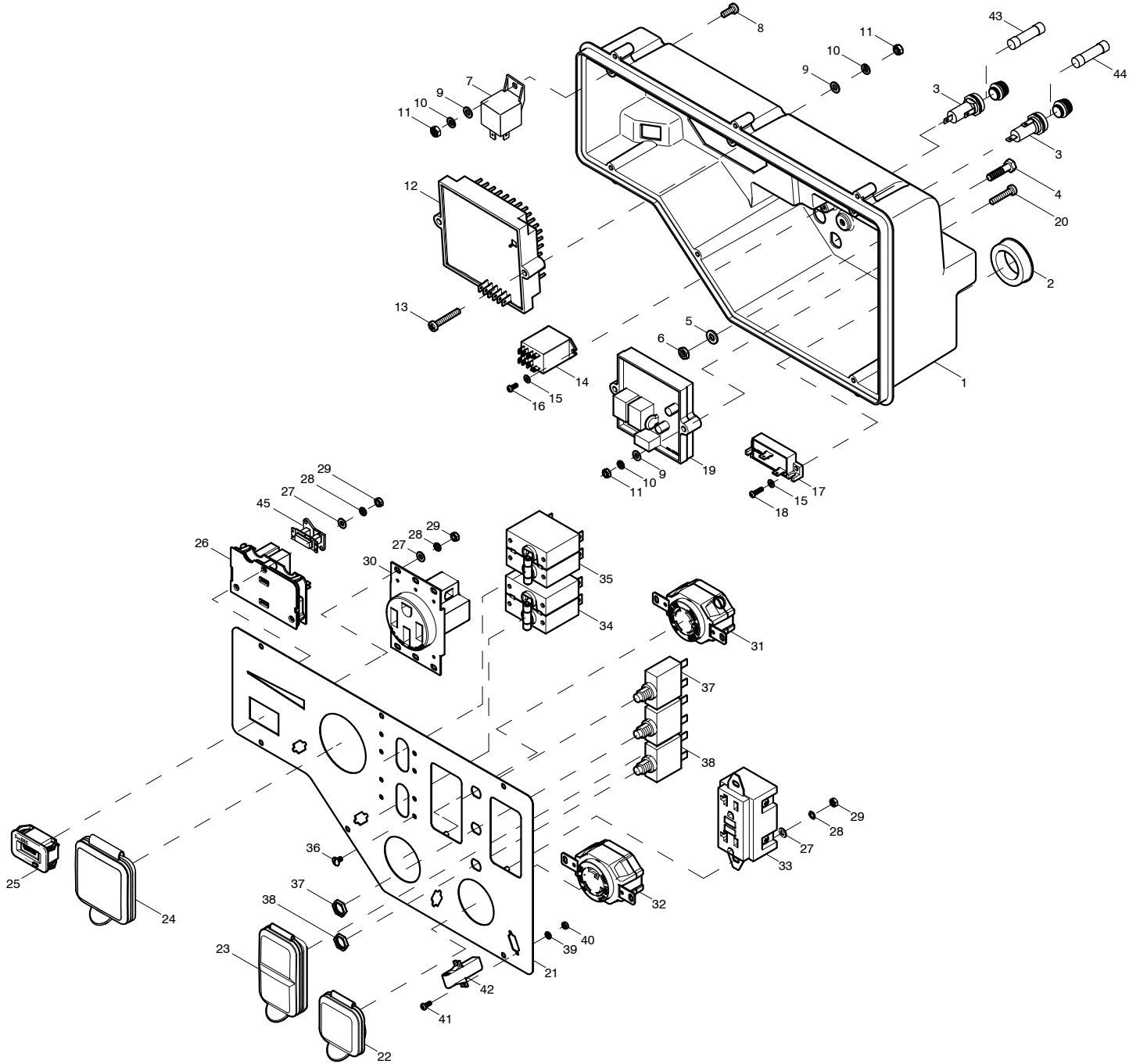
EXPLODED VIEW: ENGINE GTH 530**DRAWING #: 0H1732****GROUP D**

ITEM	PART#	QTY.	DESCRIPTION
43	0H3455E	1	FUEL HOSE 160MM LONG
44	048031G	2	CLAMP HOSE BAND 0.409
45	0D1366	1	BUSHING GOVERNOR ROD
46	0D3700	2	NUT FLANGE M6-1.0 NYLOK
47	0D5125	1	SPRING SUMMER / WINTER VALVE
48	0D6342A	1	BALL STUD 8MM
49	0D6098	1	SPACER ROD THROTTLE
50	0D9784	1	NUT HEX LOCK M3-0.5 NY INSERT
51	0E9374A	1	BASE AIRBOX GTH530
52	0E9375A	1	COVER AIRBOX GTH530
53	0E9385	1	VALVE SUMMER / WINTER
54	0E9386C	1	COVER FRONT GTH530 CONSTANT SPEED
55	0G9549	1	SWITCH MOMENTARY (OFF) - ON
56	0H5904	1	HARN CTRL PNL CONNECT XG10 (NOT SHOWN)
57	0D6147	1	SCREW HHFCS M6-1.0 X 10
58	0E9393	1	BREATHER HOSE GTH530
59	0E9449	1	KNOB CHOKE GTH530
60	0E9450A	1	BAFFLE CENTER GTH530 PORTABLE
61	0E1644	2	SCREW BHSC M6-1.0 X 12
62	0E9477	1	ROD MANUAL CHOKE GTH530
63	0E9511B	1	KNOB AIRBOX QUARTER-TURN
64	073111	1	AIR FILTER ELEMENT
65	0H1112	1	ASSY SPEED CONTROL
66	0E9503A	1	ASSY GOVERNOR LEVER W/BALL STUD
67	0H7283	1	SPRING GOVERNOR GTH530
68	0G8234	1	SPRING ANTI-LASH GTH530
69	0E9509	2	SCREW PFHM M6-1.0 X 12
70	040976	4	SCREW SHC M8-1.25 X 20
71	0E9319	2	GASKET INTAKE
72	0E9336F	1	BLOWER HOUSING
73	0D6147	4	SCREW HHFCS M6-1.0 X 10
74	0C9997	1	GUARD FAN
75	0E7887	1	ASSY FLAT DIPSTICK
76	0H1532	1	ASSY OIL CHECK & FILL
77	066482	1	SCREW HHSW M5-0.8 X 10
78	090072	1	O-RING 9/16 X 3/4 X 3/32
79	0E4997	1	ASSY GROUND WIRE CONNECTOR
80	0G4403B	1	ASSY OIL DRAIN HOSE
81	0G5015001E	1	ASSY BLOCK GTH530 GAS PORT
82	0H1705	1	DECAL IGNITION
83	0H5820	1	DECAL ENGINE XG 10KW

GROUP



ITEM	PART	QTY.	DESCRIPTION	ITEM	PART	QTY.	DESCRIPTION
1	0J4897	1	CRADLE WLDMNT ALT END 530 XG	53	087712	4	SCREW HHC M8-1.25 X 110 C8.8
2	0H3673	1	CRADLE WELDMENT,ENGINE END	54	022129	4	WASHER LOCK M8-5/16
3	0H9529B	1	BRACKET MOUNTING HANDLE	55	0G5206	1	GROMMET WIRE SLEEVE
4	0J1208	1	ASSY HANDLE XG	56	020911	4	SCREW PPHM M5-0.8 X 30 ZINC
5	10000024393	1	END PNL WLDMNT ENG SIDE 530 XG	57	022152	4	WASHER LOCK #10
6	10000024373	1	PANEL MUFFLER SIDE 530CC XG	58	023897	4	WASHER FLAT #10 ZINC
7	10000024410	1	END PNL WLDMNT ALT SIDE	59	066386	1	ASSEMBLY, BRUSH HOLDER
8	10000024389	1	PANEL CVVPNL SIDE 530CC XG	60	066849	2	SCREW HHTT M5-0.8 X 16
9	0H5307	8	HEAT SHIELD, XG6.5-8	61	0D3545A	2	J-BOLT M8-1.25 X 200
10	0H6059	8	SCREW FHSC M8-1.25 X 60 BZC	62	0H5857	1	HARNASS,12VDC POWER JACK,XG1
11	0L2176	2	SCREW HHSD PREMIUM 1/4-14X1 BZ	63	0H1663	1	BATTERY 12V18AH SEALED
12	-----	--	-----	64	0H6167C	1	WIRE ASSY,BATT POS/STARTER,XG
13	-----	--	-----	65	075763A	2	BOOT, BATTERY CABLE
14	0G8465	2	GRIP NUBBED 1-1/4"X4-3/8"	66	0H6167B	1	WIRE ASSY,BATT NEG/ENG BLK,XG
15	0G8486	2	CAP NUT 5/16-18 ZBC	67	052618	2	SCREW HHC M5-0.8 X 12 C8.8
16	0H6887	2	BOLT CARR 5/16-18X2 BLCK ZINC	68	0H3535	2	NUT FLANGE M5-0.8 NYLOCK
17	0H2205	2	BEARING,HANDLE,XG	69	0H5246	1	BRACKET, BATTERY HOLD DOWN
18	0H9525	2	BEARING EXTERNAL HANDLE XG	70	049820	2	NUT HEX LOCK M8-1.25 NY INS
19	051731	4	SCREW HHC M8-1.25 X 50 C8.8	71	0H4670	1	ASSY,CONTROL PNL,COMPLETE,XG10
20	022145	8	WASHER FLAT 5/16-M8 ZINC	71A	0D4804B	1	XFMR IDLE CURRENT
21	0H3803A	1	ASSY FUEL TANK 10 GAL XG EPA	72	0G8382	6	SCREW PPPH #8-16 X .66" BZC
22	0G5445	4	SCREW HHTT M8-1.25 X 20	73	0H6623	1	ASSY MUFFLER GTH530
23	0H2142	1	VALVE HOLDER,FUEL SHUTOFF	74	0C4138	1	GASKET,EXHAUST PORT
24	0H3419	1	VALVE,FUEL SHUTOFF	75	0H4563	1	ASSY EXHAUST MANIFOLD GTH530P
25	0H3455F	1	FUEL HOSE, 200 MM LONG	76	0G3730	6	SCREW SHC M8-1.25 X 20 SEMS
26	048031G	2	CLAMP HOSE BAND .41	77	0E9369	2	GASKET EXHAUST GT530
27	0H1326	1	FILTER, FUEL	78	0H5228	1	MUFFLER MOUNTING BRACKET
28	0H0958	1	ASSY GAS CAP SEALED - CHROME	79	059637	2	SCREW HHTT 3/8-16 X 3/4 CZ
29	0H1345E	1	FUEL GAGE, 140 MM LONG ARM	80	0H6144	1	TUBE, HEAT RISER 38MM ID
30	0H1357	2	SCREW PPHM M5-0.8 X 12	81	0H6257	2	10KW XG WHEEL 10"
31	0H1359	1	PLATE, FUEL GAGE	82	0H3798	1	AXLE, 530CC XG
32	0H1411B	4	RUBBER MOUNT,10.3 ID X 11 HGT	83	0H3443	2	COTTER HAIRPIN 2.56 X .80
33	0H1610A	4	INSERT, ANTI-CRUSH FOR TANKS	84	0H0653	2	WASHER FLAT 5/8 ID X 0.039"THK
34	0J2537	1	ASSY ENGINE GTH-530 PORTABLE	85	0H3843	1	FOOT SUPPORT, 530CC XG
35	0H1113	4	VIB MNT 1.38X1.0X5/16-18 MXM	86	0H7282	2	RUBBER VIBRATION DAMPENER
36	0H6559	14	NUT HEX FLANGE WHIZ 5/16-18	87	0H5837	2	BOLT CARR 5/16-18 X 0.75"
37	0H5421	2	VIB MNT .63 X .63 5/16-18	88	090388	7	SCREW HHTT M6-1.0 X 12 ZINC
38	0A1658	1	WASHER LOCK SPECIAL 1/4"	89	030205	4	SCREW FHSC 3/8-16 X 3/4 W/LOCK
39	055414	1	LUG SLDLSS #2-#8 X 17/64 CU	90	0H8159A	2	SCREW SHC SEMS FLAT M8-1.25X25
40	0742600174	1	GRND WIRE PORT BRG CARR-FRAME	91	0H7252	2	SPACER 5/8" AXLE X 4.7MM
41	0D6029	1	SCREW HHTT M6-1.0 X 16 ZYC	92	082025	1	NUT HEX LOCK M5-0.8 NYINS ZINC
42	0H4959B	1	ADAPTOR HOUSING, W/O TOP SLOTS	93	030795	2	SCREW HHC 5/16-18 X 1 G5
43	0H4960	1	BEARING CARRIER, 10IN ALT	94	0H6167D	1	BRUSH WIRE ASSEMBLY,GND-ALT (NOT SHOWN)
44	0H4965	1	END COVER, 10IN ALTERNATOR	95	0H6167E	1	BRUSH WIRE ASSEMBLY V-REG TO ALT (NOT SHOWN)
45	0H5064C	1	RTR-102-10.0AD1 CHI XG CANLESS	96	0H1142	1	ASSY, ROLL OVER SLANT VALVE
46	0H5065C	1	STR ASSY 10KW 10" PORT	97	0H1207F	1	HOSE 11MM OD X 5.5MM ID X 26IN
47	0K8803B	1	BATTERY CHARGER 12VDC 2.0A	98	0H3804A	1	WELDMENT FUEL TANK XG RAW EPA
48	0H6167A	1	WIRE ASSY,PNL GND/FR GND,XG10	99	0E8388	4	NUT HEX FL WHIZ M6-1.0
49	10000039503	1	BRKT HOLD DOWN BATT CHRGR	100	0H0025	2	ASSY 12VDC POWER JACK W/LUGS
50	0H5752	1	SCREW IHHC 3/8-24 X 10.75 G8	101	058653	1	WASHER FLAT M8
51	022237	1	WASHER LOCK 3/8	102	070006	1	WASHER LOCK M8 SS
52	022131	1	WASHER FLAT 3/8	103	066311	1	NUT HEX JAM M8 X 1.25 G8 ZY
				104	0H7606	2	SCREW BHSC M6-1.0 X 16 ZP



ITEM	PART	QTY.	DESCRIPTION
1	0H4697	1	ENCLOSURE, RECEPTACLE PNL, XG10
2	023484H	1	BUSHING SNAP SB-1500-18
3	0H6856	2	FUSE HOLDER, 10A/250VAC, R3-13
4	045757	2	SCREW HHC M6-1.0 X 25 G8.8
5	049811	2	WASHER FLAT M6
6	066310	2	NUT HEX JAM M6 X 1
7	052844	1	RELAY PNL 12VDC SPDT 30A
8	091526	1	SCREW PPHM M5-0.8 X 12 ZNC
9	051713	5	WASHER FLAT M5
10	049226	5	WASHER LOCK M5
11	051716	5	NUT HEX M5-0.8 G8 CLEAR ZINC
12	0F9719	1	ASSY PCB VREG AIR COOLED 2006
13	020911	2	SCREW PPHM M5-0.8 X 30 ZINC
14	0E3927	1	RELAY, DPDT NO 10A 120VAC COIL
15	052777	4	WASHER FLAT M3
16	084543D	2	SCREW PPPH M3 X 8
17	048512	1	CB 5A 1P AUTO ETA 46-500-P
18	084543A	2	SCREW PPPH M3 X 12
19	0H1835	1	ASSY PCB, PORTABLE CONTROLLER
20	0C8522	2	SCREW PPHM M5-0.8 X 25
21	0H5232	1	CTRL PNL XG10 PAINT W/SILK
22	0G9391	2	COVER, 30A 120/240V
23	0G9392	2	COVER, 20A 120V GFCI/DUPLEX
24	0H3814	1	COVER 50A 120/240V
25	0G8321	1	HOUR METER W/ALERTS AC/DC
26	0H3362D	1	TRULOAD POWERBAR ASSY 8.0KW
27	043180	15	WASHER FLAT M4
28	022264	15	WASHER LOCK #8-M4
29	051715	15	NUT HEX M4-0.7 G8 YEL CHR
30	0D4969	1	OUTLET 50A 125/250V 4W 1258
31	0G8758	1	OUTLET 30A 120/250V SPCGR
32	068868	1	OUTLET 30A 120V RECEPT
33	0D4966	2	OUTLET 20A 120V GFCI GF20BK
34	0G9023C	1	CB 0030A 2P 240V C AA2 QT
35	0G9023L	1	CB 0042A 2P 240V C AA2 QT
36	025105	8	SCREW RHMS 6-32 X 1/4 ZINC
37	0H0265C	2	CB 20A 1P 120V CUL/CSA JOEMEX
38	0H0265E	1	CB 30A 1P 120V CUL/CSA JOEMEX
39	022155	8	WASHER LOCK #6
40	051714	8	NUT HEX M3-0.5 G8 CLEAR ZINC
41	0H3969	8	SCREW, PPHM M3-0.5 X 8 BLK ZNC
42	0H6589	2	DUAL LED ASSEMBLY
43	099727	1	FUSE 5A X AGC5 HLDR32300
44	067682D	1	FUSE, SLOBLO 1.5A GLASS
45	0D4804B	1	XFMR IDLE CURRENT
46	0H5263 *	1	HARNESS POWER V-T XG
47	0H5852 *	1	HARNESS, C/PNL XG10

* ITEM 46 AND 47 NOT SHOWN