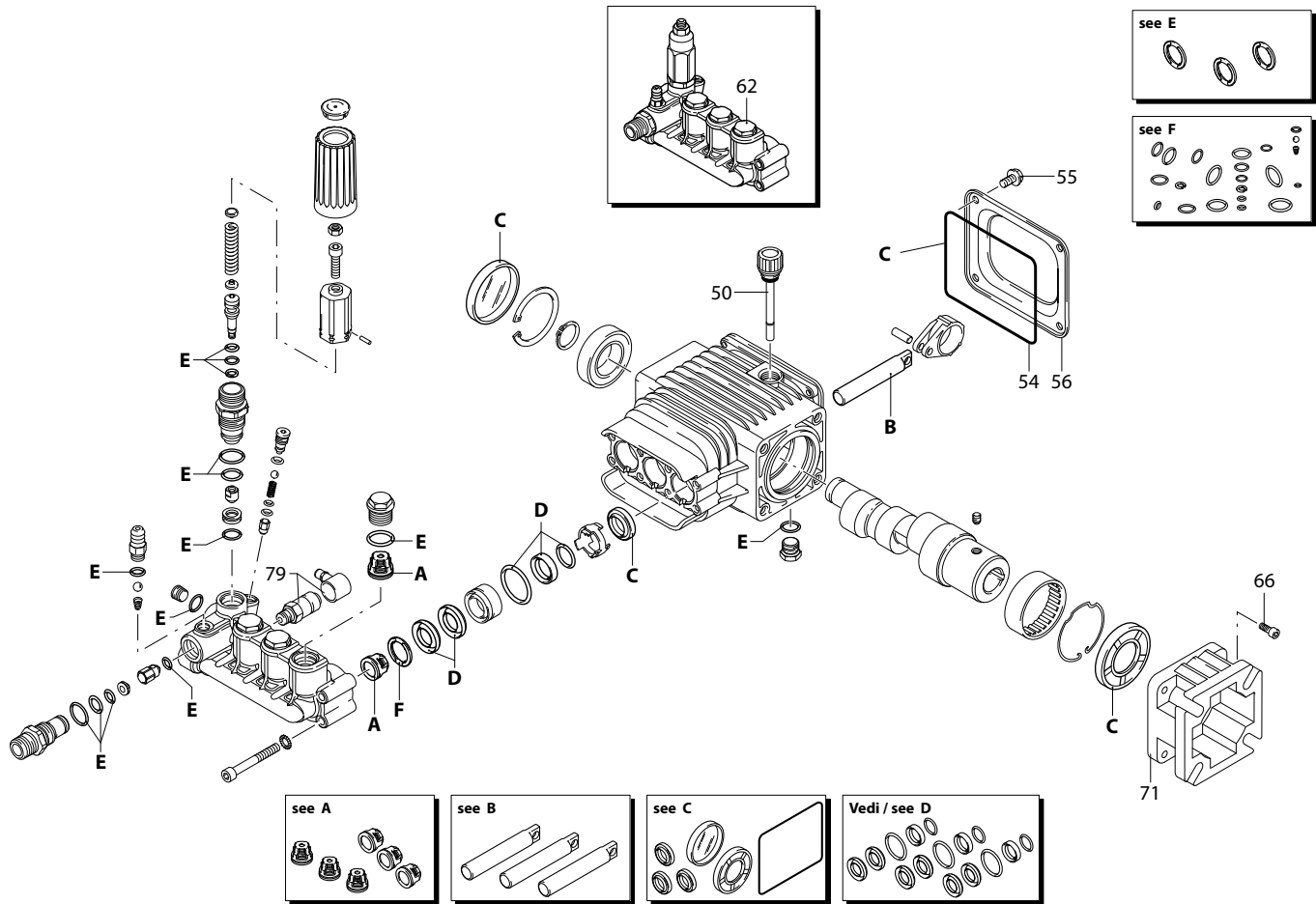




ITEM	PART	QTY.	DESCRIPTION
1	0J1545	2	SCREW BHSP M6-2.5 X 19MM
2	0J0211	1	HOOK GP HOSE
3	0H9637	1	BILLBOARD CAP W/HOSE HOOK GP
4	0J1016A	1	HOSE-35FT X 3/8" W/QDISK
5	067989	4	NUT HEX FL WHIZ M8-1.25
6	0J8288	1	ENGINE 212CC G23 EPA 3
7	0J0172	1	PUMP, TRIPLEX
8	092479	4	WASHER LOCK M8 RIBBED
9	0J4188	4	SCREW SHC M8-1.25 X 18 C8.8 ZP
10	0J3317	8	SCREW HHC M8-1.25X55 8.8 BL ZP
11	022145	12	WASHER FLAT 5/16-M8 ZINC
12	0D4417	6	WASHER,RUBBER 1/4" X 1/8" THK
13	0J2686	3	RING, SNAP - 5/8" TYPE E
14	022247	4	WASHER FLAT 5/8 ZINC
15	0H9589	2	WHEEL 10" DIA X 3"
16	049820	10	NUT HEX LOCK M8-1.25 NY INS
17	089230	4	SCREW HHFC M8-1.25 X 35 G8.8
18	0J8104	1	FRAME RAIL-ENGINE SM GP
19	0J3079	5	GROMMET-NOZZLE
20	0J0673	1	BILLBOARD-UPPER SM GP SERIES
21	0J1544	8	SCREW BHSP M6-2.5 X 25MM
22	061906	2	SCREW HHC M8-1.25 X 85 C8.8
23	051753	3	SCREW HHC M6-1.0 X 40 C8.8 FTH
24	022473	4	WASHER FLAT 1/4-M6 ZINC
25	0H9731	2	TUBE END CAP - 1-1/4" OD TUBE
26	0J0668	1	TUBE-SM GP HANDLE
27	0J0688	2	WASHER .325 X .875 X .25 NYLON
28	0J0141	1	BILLBOARD CAP W/GUN HOOK
29	0J2422	1	ASSY-WIRE PULL START CORD
30	0J0050	1	PULL PIN ASSEMBLY
31	0J5086	1	SCREW BHSC M6-1.0 X 20 ZP
32	0J5254	1	BUMPER-HANDLE STOP
33	0E8388	5	NUT HEX FL WHIZ M6-1.0
34	0J5155A	1	BRACKET-SIDE W/O CUTOUT SM
35	0J5155B	1	BRACKET-SIDE W/CUTOUT SM
36	0J7554	1	GUN ASSY W/RIBS
37	0J1052	1	GUN SUPPORT HANDLE
38	0H9640A	1	LANCE ASSY-20" LONG SS
39	0H9617B	1	KIT-NOZZLE (3000 PSI)
40	0H9603D	1	AXLE, 5/8" DIA
41	0J0665	1	WLDMNT, SM GP TUBE FRAME RR
42	0J0664	1	WLDMNT, SM GP TUBE FRAME FT
43	0J0674	1	BILLBOARD-LOWER SM GP SERIES
44	0G9055A	2	FOOT -60 DUROMETER
45	0J1576	1	DECAL NOZZLE ID SM GP SERIES
46	0J1575	1	DECAL GENERAC SM GP SERIES
47	0J3376	1	DECAL QUICK START GP
48	0J3452	1	DECAL-ON/OFF
49	0J3375	1	DECAL QUICK START GP
50	0H9568	1	COUPLING-FEMALE QDISK
51	0J1445	1	NUT-GARDEN HOSE INLET
52	0J1443	1	NIPPLE-GARDEN HOSE INLET
53	0J1444	1	SCREEN-GARDEN HOSE INLET
54	0J0140	1	BILLBOARD CAP W/WAND HOOK GP
55	0J0139	1	BILLBOARD CAP W/O HOOK GP
56	0J5710	1	DETERGENT HOSE AND FILTER

# POWER WASHER PUMP, TRIPLEX-3GPM, 3100 PSI – REPLACEMENT PARTS



REF. #	Generac Part #	QTY	Description
	OJ0172	1	COMPLETE PUMP, TRIPLEX-3GPM, 3100 PSI
50	0H95660120	1	CAP, OIL
54	0H95660121	1	GASKET
55	0H95660122	4	SCREW, M6x12
56	0H95660123	1	COVER, REAR
62	0H95660124	1	PUMP HEAD, PRE-ASSY.
66	0H95660125	4	SCREW, M8x20
71	OJ01720110	1	FLANGE, GAS ENGINE
79	0H9570	1	VALVE ASSY., THERMAL RELIEF

REF. #	Generac Part #	QTY	Description
A	0H95660110	1	KIT, VALVE
B	0H95660111	1	KIT, PISTON
C	0H95660112	1	KIT, OIL SEALS
D	0H95660113	1	KIT, WATER SEALS
E	0H95660114	1	KIT, O-RINGS
F	0H95660115	1	KIT, SUPPORT RINGS
	0H95660116	1	KIT, UNLOADER (NOT SHOWN)

**GENERAC**<sup>®</sup>

Generac Power Systems, Inc.  
S45 W29290 Hwy. 59  
Waukesha, WI 53189  
1-888-GENERAC (1-888-436-3722)