

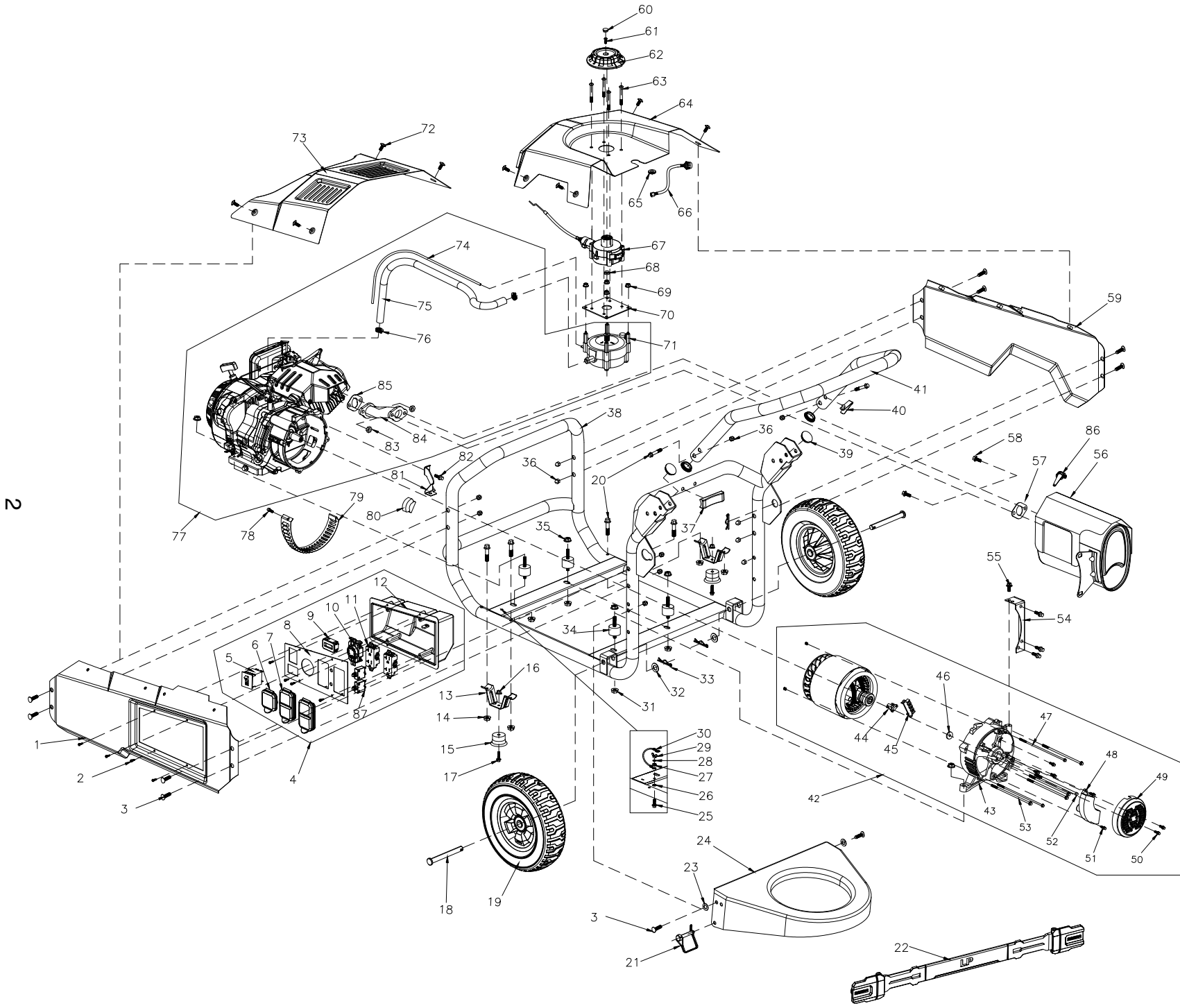


Parts Manual

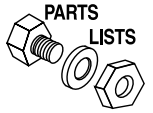
LP5500 389cc (Model 0060010)

NOTICE!

The information in this manual is known to be accurate as of the date of release shown on the cover. However, engineering changes can occur without notice. To obtain the proper parts, please be sure to use the serial number of the unit being serviced when ordering from this manual. Always refer to any parts notes and changes before ordering. All other parts not shown in this manual can be found on Generac's exploded view drawings online on GENservice at www.generac.com.



LP5500



| Item | Part # | Qty | Description |
|------|-------------|-----|--------------------------------|
| 1 | OJ8191AST19 | 1 | CONTROL SIDE PANEL - DARK GRAY |
| 2 | OG8382 | 8 | SCREW PPPH #8-16 X .66" BZC |
| 3 | OH1780 | 10 | CURVED HEAD M8-1.25 X 41MM LNG |
| 4 | OJ9357A | 1 | ASSEMBLY CONTROL PANEL LP5500 |
| 5 | OK0417 | 1 | CIRCUIT BREAKER, ON/OFF SWITCH |
| 6 | OG9391 | 1 | COVER, OUTLET |
| 7 | OG9392 | 2 | COVER, OUTLET |
| 8 | OJ9358 | 1 | PLATE, CNTL PNL FACE |
| 9 | OG8321 | 1 | METER, HOUR |
| 10 | OG8758 | 1 | OUTLET 30A 120/250V SPCGR |
| 11 | OD4968 | 2 | OUTLET 20A 120V DPLX 6342BK |
| 12 | OJ9355A | 1 | CONTROL PANEL ENCLOSURE |
| 13 | OJ93540ST03 | 2 | BRACKET, FOOT |
| 14 | OK0098 | 4 | NUT, M8 |
| 15 | OK0099 | 2 | FOOT, RUBBER |
| 16 | OK0105 | 2 | NUT, M6 |
| 17 | OK0100 | 2 | BOLT, FLANGE M6X28 |
| 18 | OJ9808 | 2 | PIN, AXLE |
| 19 | OH9589A | 2 | WHEEL 10"D X 3" NVR FLT IND GR |
| 20 | OB1214 | 6 | BOLT, M8X45 |
| 21 | OK0485 | 2 | PIN, LOCKING |
| 22 | OJ9385 | 1 | STRAP ASSY, TANK |
| 23 | OJ79090110 | 2 | WASHER, NYLON |
| 24 | OJ80700ES03 | 1 | BRACKET, TANK SUPPORT |
| 25 | OJ35220156 | 1 | BOLT, M6X20 |
| 26 | OK0093 | 1 | WASHER, SPECIAL LOCK |
| 27 | OG84420272 | 1 | NUT, M6 |
| 28 | OJ47870118 | 1 | WASHER, FLAT 6X0.8 |
| 29 | OK0094 | 1 | NUT, M6 |
| 30 | OK0092 | 1 | WIRE ASSY., GRND |
| 31 | 067989 | 4 | NUT, M8 |
| 32 | 049808 | 2 | WASHER, FLAT |
| 33 | OH3443 | 3 | PIN, COTTER |
| 34 | OK09150110 | 4 | VIB MOUNT, ENGINE |
| 35 | OG84420107 | 4 | NUT, M10 |
| 36 | OH1782 | 10 | NUT, LOCKING CAP M8 |
| 37 | OK0393 | 1 | BUMPER TANK STOP - RUBBER |
| 38 | OJ80630ES03 | 1 | CRADLE WELDMENT LP5500 |
| 39 | OH9760 | 4 | CAP END NYLON BLACK |
| 40 | OJ5347 | 1 | BUTTON, SNAP (DETENT) |
| 41 | OJ80720ES03 | 1 | FRAME HANDLE |
| 42 | OJ8363 | 1 | ASSY ALTERNATOR 5500W BT AL/AL |
| 43 | OH0919 | 1 | BRUSH, ALTERNATOR |
| 44 | OJ83630111 | 1 | TERMINAL |

| Item | Part # | Qty | Description |
|------|-------------|-----|---------------------------------|
| 45 | 070264 | 1 | WASHER, FLAT M10X4 |
| 46 | OH91980171 | 1 | HOUSING, REAR BEARING |
| 47 | OJ83630110 | 2 | BOLT, M5X204 |
| 48 | OH2579B | 1 | AVR 5.5-7.5KW VISION ALT |
| 49 | OH3049 | 1 | COVER ALTERNATOR INLET 5-7KW |
| 50 | OJ4967 | 6 | BOLT, M5X12 |
| 51 | OJ4968 | 3 | BOLT, M5X16 |
| 52 | OJ8448 | 1 | BOLT, ROTOR M10X255 |
| 53 | OJ9069 | 4 | BOLT, M6X170 |
| 54 | OG8542 | 1 | BRACKET, MUFFLER |
| 55 | 0E9470 | 4 | BOLT, M8X16 |
| 56 | OJ79090113 | 1 | MUFFLER |
| 57 | OJ4691 | 1 | GASKET EXHAUST 389 |
| 58 | 0E9507B | 2 | BOLT, M8X25 |
| 59 | OJ81920ST19 | 1 | EXHAUST SIDE PANEL - DARK GRAY |
| 60 | OJ9352 | 1 | COVER, KNOB SCREW |
| 61 | OJ79090111 | 1 | SCREW, SELECTOR KNOB M5x10 |
| 62 | OJ8358 | 1 | KNOB, SELECTOR |
| 63 | OJ79090112 | 4 | SCREW, M6X50 |
| 64 | OJ81940ST15 | 1 | COVER, TOP(BACK) |
| 65 | 0F9504 | 1 | GROMMET 5/8" X 1 1/8" X 5/16" |
| 66 | OG8442F122 | 1 | HOSE, FUEL TANK TO REGULATOR |
| 67 | OJ8195 | 1 | ASSY SINGLE POINT CTRL SYSTEM |
| 68 | OJ79090114 | 1 | BUMPER, RUBBER |
| 69 | OG84420272 | 4 | NUT, M6 |
| 70 | OJ8203 | 1 | BRACKET, SINGLE POINT CNTRL |
| 71 | OG8442F124 | 1 | REGULATOR, 180 DEGREE GHG PRSHR |
| 72 | OH7606 | 8 | SCREW, M6X16 |
| 73 | OJ97360ST15 | 1 | TOP COVER FRONT ACCESS - ORA |
| 74 | OJ6057 | 1 | HOSE, VENT |
| 75 | OJ6058 | 1 | HOSE, FUEL |
| 76 | 048031J | 2 | CLAMP, FUEL HOSE |
| 77 | OG8442F | 1 | ENGINE 389 PS W/ REGULATOR |
| 78 | OJ00620100 | 1 | BOLT, M5X10 |
| 79 | OH9761 | 1 | ALTERNATOR SCROLL |
| 80 | OJ86620104 | 1 | BAFFLE |
| 81 | OG8442C112 | 1 | BRACKET, AIR CLEANER |
| 82 | OG84420194 | 1 | BOLT, M6X12 |
| 83 | OJ35220161 | 2 | NUT, M8 |
| 84 | OG8442F111 | 1 | MANIFOLD, EXHAUST |
| 85 | OG9028 | 1 | GASKET, EXH CYLNRD |
| 86 | OJ5207C110 | 1 | ARRESTOR, SPARK |
| 87 | OH0265C | 2 | CB 20A 1P CUL/CSA |