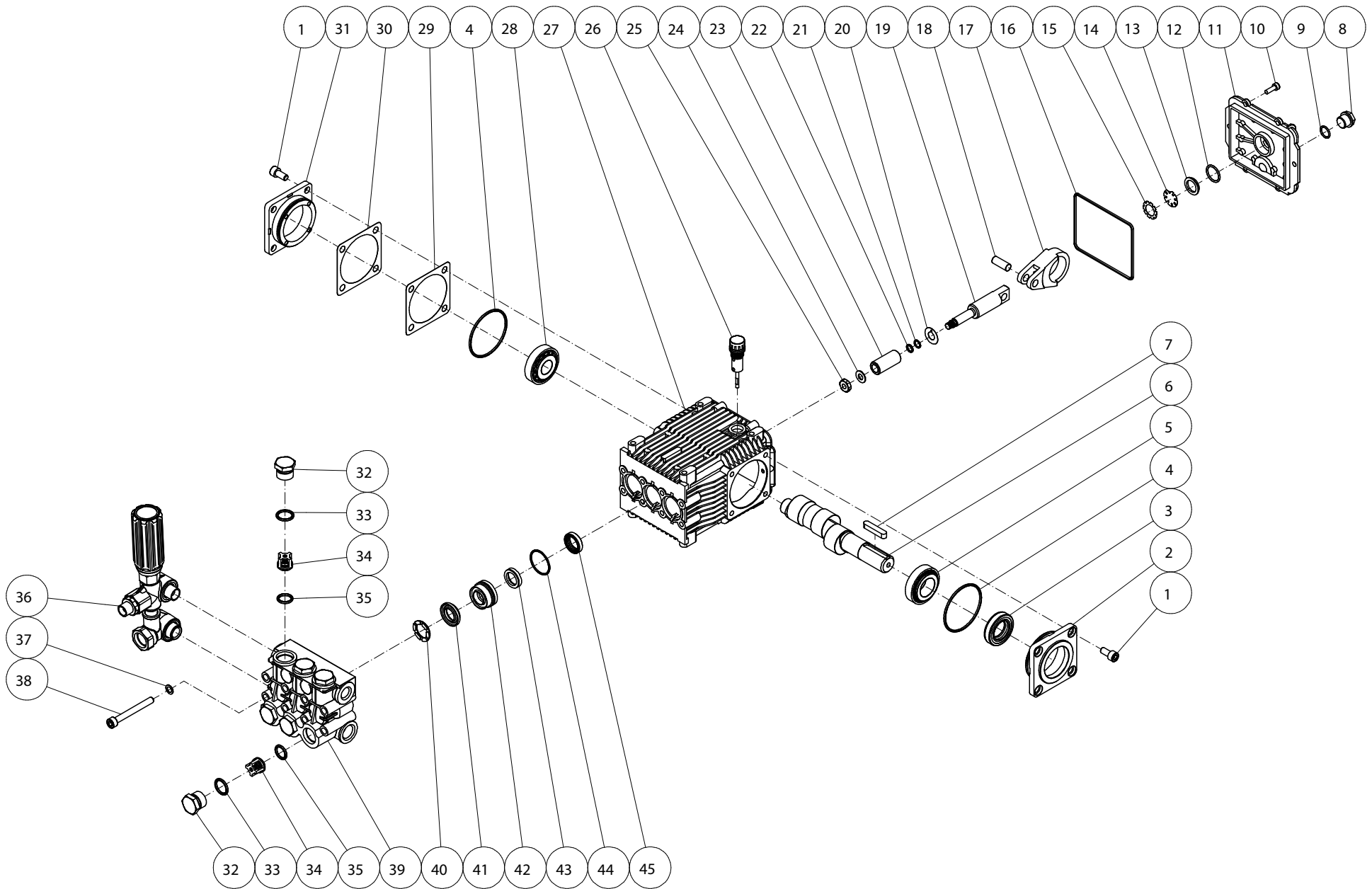
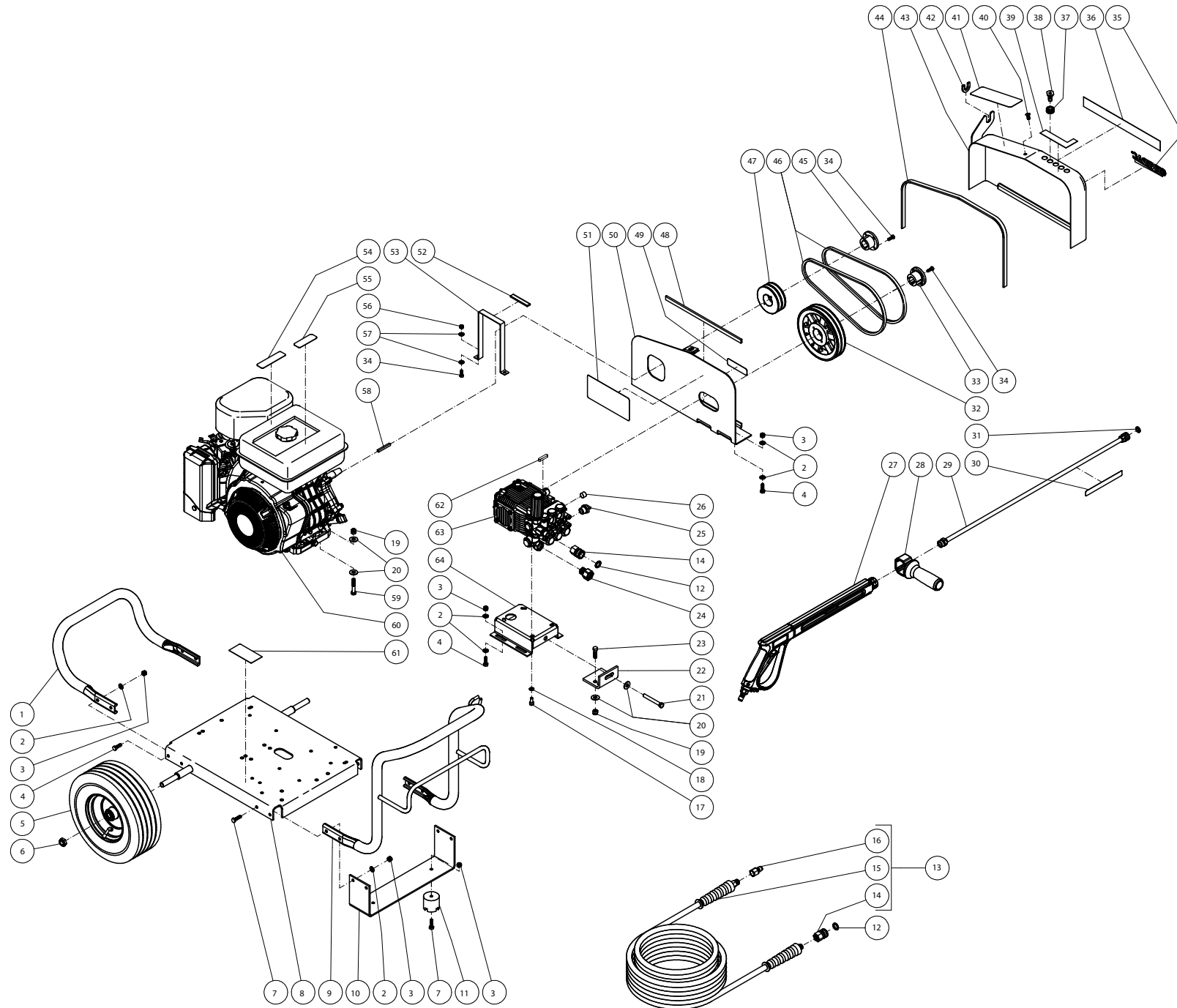


# GROUP EV



| ITEM | PART   | QTY.  | DESCRIPTION                    |
|------|--------|-------|--------------------------------|
| 1    | 0J8607 | 8     | SHCS-GR12.9 M8-1.25PX16MM BLK  |
| 2    | 0J8620 | 1     | PUMP - SHAFT COVER             |
| 3    | 0J8597 | 1     | SEAL - OIL                     |
| 4    | 0J8584 | 2     | O-RING                         |
| 5    | -      | 1     | ROLLER BEARING                 |
| 6    | 0J8637 | 1     | PUMP-CRANKSHAFT                |
| 7    | 0J8617 | 1     | KEY - PUMP                     |
| 8    | 0J8614 | 1     | PLUG - BRASS                   |
| 9    | 0J8581 | 1     | O-RING                         |
| 10   | 0J8608 | 6     | HSHCS-TCEI GR8.8 M5-0.8PX16MM  |
| 11   | 0J8632 | 1     | PUMP - COVER CRANKCASE         |
| 12   | 0J8582 | 1     | O-RING                         |
| 13   | 0J8618 | 1     | OIL SIGHT GLASS                |
| 14   | 0J8633 | 1     | PUMP - REFLECTOR - OIL         |
| 15   | 0J8619 | 1     | SPRING RETAINR-OIL SIGHT GLASS |
| 16   | 0J8588 | 1     | O-RING                         |
| 17   | 0J8634 | 3     | PUMP-CONNECTING ROD-ALUMINUM   |
| 18   | 0J8621 | 3     | PUMP - PISTON PIN              |
| 19   | 0J8622 | 3     | PUMP - PLUNGER ROD             |
| 20   | 0J8623 | 3     | PUMP-SLINGER WASHER            |
| 21   | 0J8589 | 3     | BACKUP RING                    |
| 22   | -      | 3     | O-RING                         |
| 23   | 0J8624 | 3     | PUMP - PISTON CERAMIC          |
| 24   | 0J8598 | 3     | SEAL-WASHER/GASKET             |
| 25   | 0J8611 | 3     | NUT - M8-1.25P X 15MM          |
| 26   | 0J8615 | 1     | OIL DIPSTICK                   |
| 27   | 0J8639 | 1     | PUMP CRANKCASE                 |
| 28   | 0J8640 | 1     | NON DRIVEN TAP ROLLER BEARING  |
| 29   | 0J8627 | (1-3) | PUMP - SHIM                    |
| 30   | 0J8626 | (1-3) | PUMP - SHIM                    |
| 31   | 0J8625 | 1     | PUMP-BEARING CAP/SUPPORT       |
| 32   | 0J8616 | 6     | CAP - VALVE - BRASS            |
| 33   | 0J8580 | 6     | O-RING                         |
| 34   | 0J8636 | 6     | COMPLETE VALVE                 |
| 35   | -      | 6     | O-RING                         |
| 36   | 0J8569 | 1     | UNLOADER-COMPLETE              |
| 37   | 0J8609 | 8     | LOCKWASHER-ZI M8 SERR. CURVE   |
| 38   | 0J8606 | 8     | HSH-ZI GR8.8 M8-1.25P X 70MM   |
| 39   | 0J8638 | 1     | PUMP - MANIFOLD - BRASS        |
| 40   | 0J8631 | 3     | PUMP - SUPPORT RING            |
| 41   | 0J8630 | 3     | PUMP - V-PACKING               |
| 42   | 0J8629 | 3     | PUMP - PACKING RETAINER        |
| 43   | 0J8628 | 3     | PUMP - LOW PSI SEAL            |
| 44   | 0J8585 | 3     | O-RING                         |
| 45   | 0J8635 | 3     | OIL SEAL                       |
| -    | 0J8643 | 1     | KIT - HIGH PRESSURE SEAL       |
| -    | 0J8649 | 1     | KIT - SUPPORT RING             |
| -    | 0J8650 | 1     | KIT-VALVES (1750 RPM PUMPS)    |
| -    | 0J8651 | 1     | KIT-OIL SEALS                  |
| -    | 0J8652 | 1     | KIT-PISTON                     |

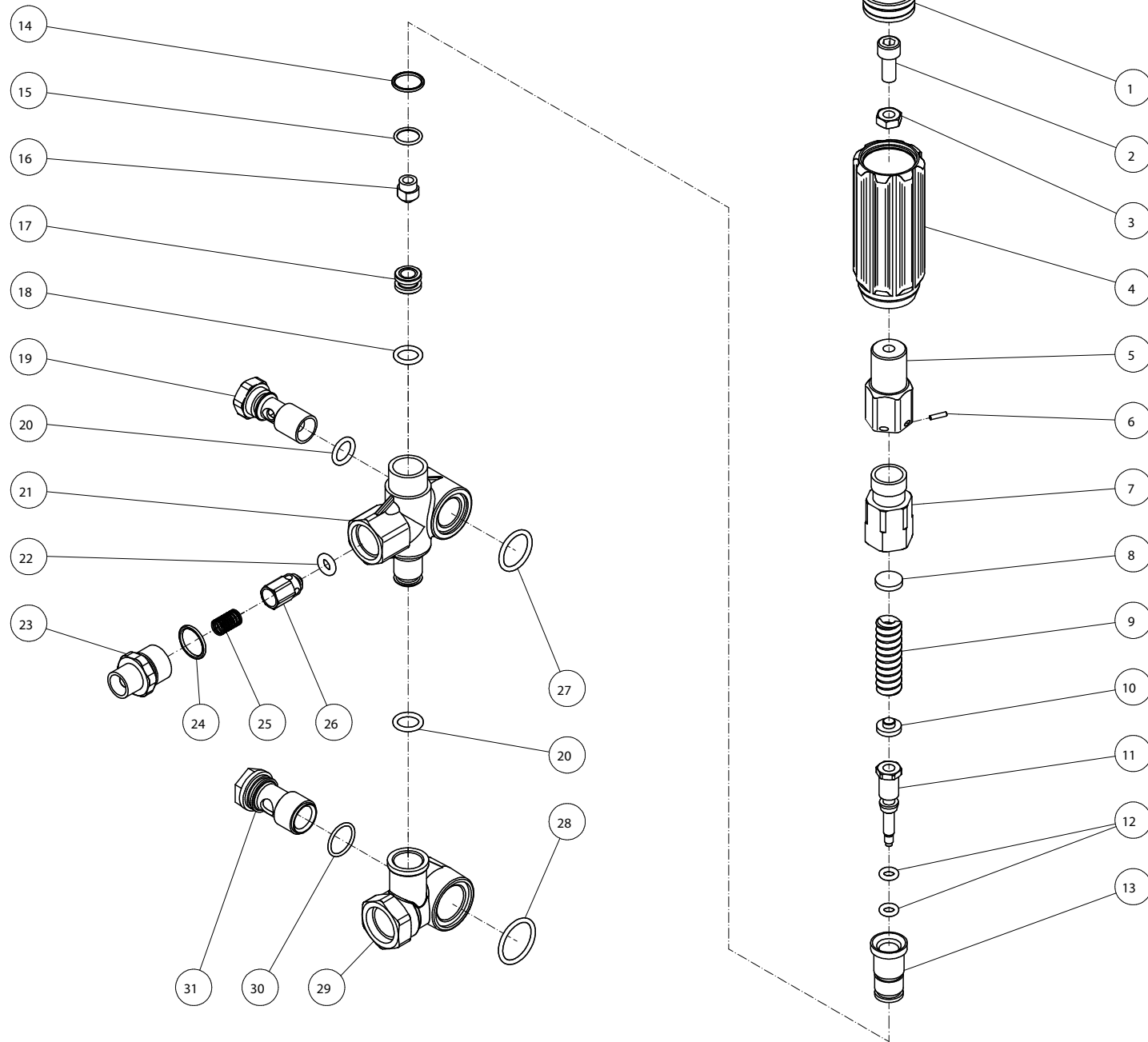


# GROUP EV

| ITEM | PART    | QTY. | DESCRIPTION                               |
|------|---------|------|---|
| 1    | OJ8497  | 1    | HANDLE, REAR 15" CW BLK 1-1/4"            |
| 2    | OJ8528  | 22   | WASHER-ZI SAE TYPE A 5/16                 |
| 3    | OJ8533  | 17   | HEX NYLON LOCKNUT-ZINC 5/16-18            |
| 4    | OJ8519  | 11   | SCREW, HHCS-ZI GR5 5/16-18 X 1            |
| 5    | OJ8506  | 2    | WHEEL, PNEU 13X5 5/8 BORE                 |
| 6    | OJ8531  | 2    | HEX JAM NUT-ZI 5/8-11 X 3/8               |
| 7    | OJ8520  | 6    | HHCS-ZI GR5 5/16-18X1-1/4                 |
| 8    | OJ8493  | 1    | BASEPLATE, JCW LARGE BLACK                |
| 9    | OJ8498  | 1    | HANDLE, FRONT PAINTED                     |
| 10   | OJ8505  | 1    | BRACKET, UNDER CW BLACK                   |
| 11   | OJ8507  | 2    | ISOLATOR 2" OD X 1.75                     |
| 12   | -       | 2    | O-Ring                                    |
| 13   | OJ8548  | 1    | HOSE 3/8"X50' 4000PSI R1 GRAY             |
| 14   | OJ8508  | 2    | QC 3/8F X 3/8 SOCKET BRASS                |
| 15   | -       | 1    | Hose                                      |
| 16   | -       | 1    | Quick Connect                             |
| 17   | OJ8526  | 4    | SHCS-GR12.9 M8-1.25PX16MM BLK             |
| 18   | OJ8530  | 4    | LOCKWASHER-ZI SPRING TYPE A M8            |
| 19   | OJ8534  | 6    | HEX NYLON LOCKNUT-ZINC 3/8-16             |
| 20   | OJ8529  | 11   | WASHER-ZI STANDARD 3/8                    |
| 21   | OJ8525  | 1    | HHCS-ZI GR5 3/8-16 X 3                    |
| 22   | OJ8504  | 1    | BRACKET, ANGLE TIGHTENER BLACK            |
| 23   | OJ8522  | 2    | HHSC-ZI GR5 3/8-16 X 1-1/4                |
| 24   | OJ8516  | 1    | SWIV 1/2MX3/4F GARDEN HOSE -BR            |
| 25   | OJ8514  | 1    | VALVE, THERMAL RELIEF 1/2M 145F           |
| 26   | OJ8517  | 1    | PLUG 3/8 HEX SOCKET HEAD BRASS            |
| 27   | OK6183  | 1    | GUN 4200PSI PROF W/QC                     |
| 28   | OJ1052  | 1    | GUN SUPPORT HANDLE                        |
| 29   | OH9625A | 1    | LANCE ASSY-33" LONG SS (0062290, 0062300) |
|      | OH9640A | 1    | LANCE ASSY-20" LONG SS (0062280)          |
| 30   | -       | 1    | DECAL - RISK OF INJECTION (SEE OJ8062)    |
| 31   | -       | 1    | O-RING                                    |
| 32   | OJ8502  | 1    | SHEAVE (PUMP)                             |
| 33   | OJ8500  | 1    | BUSHING (PUMP)                            |
| 34   | OJ8518  | 6    | SCREW, HHCS-ZI GR5 1/4-20 X 3/4           |
| 35   | OJ7936  | 1    | GENERAC LOGO                              |
| 36   | OJ7942B | 1    | DECAL/GENERAC PSI (0062300)               |
|      | OJ7942A | 1    | DECAL/GENERAC PSI (0062290)               |
|      | OJ7942  | 1    | DECAL/GENERAC PSI (0062280)               |
| 37   | OJ8535  | 5    | GROMMET                                   |
| 38   | OJ8510  | 1    | NOZZLE, 00035 QC (0062280, 0062300)       |
|      | OJ8511  | 1    | NOZZLE, 15035 QC (0062280, 0062300)       |
|      | OJ8512  | 1    | NOZZLE, 25035 QC (0062280, 0062300)       |
|      | OJ8513  | 1    | NOZZLE, 40035 QC (0062280, 0062300)       |
|      | OJ8575  | 1    | NOZZLE, 00040 QC (0062290)                |
|      | OJ8576  | 1    | NOZZLE, 15040 QC (0062290)                |
|      | OJ8577  | 1    | NOZZLE, 25040 QC (0062290)                |
|      | OJ8578  | 1    | NOZZLE, 40040 QC (0062290)                |

| ITEM | PART   | QTY. | DESCRIPTION                                       |
|------|--------|------|---|
| 38   | OJ8510 | 1    | NOZZLE, 00035 QC (0062280, 0062300)               |
|      | OJ8511 | 1    | NOZZLE, 15035 QC (0062280, 0062300)               |
|      | OJ8512 | 1    | NOZZLE, 25035 QC (0062280, 0062300)               |
|      | OJ8513 | 1    | NOZZLE, 40035 QC (0062280, 0062300)               |
|      | OJ8575 | 1    | NOZZLE, 00040 QC (0062290)                        |
|      | OJ8576 | 1    | NOZZLE, 15040 QC (0062290)                        |
|      | OJ8577 | 1    | NOZZLE, 25040 QC (0062290)                        |
|      | OJ8578 | 1    | NOZZLE, 40040 QC (0062290)                        |
| 39   | OJ7978 | 1    | DECAL NOZZLES                                     |
| 40   | OJ8537 | 1    | FASTENER 1/4 TURN SLOTTED STUD                    |
| 41   | -      | 1    | DECAL - OPERATION (SEE OJ8062)                    |
| 42   | OJ8536 | 1    | EDGING 1" (SOLD PER FOOT)                         |
| 43   | OJ8496 | 1    | BELTGUARD, COVER/GENERAC                          |
| 44   | OJ8536 | 1    | EDGING 1" (SOLD PER FOOT)                         |
| 45   | OJ8499 | 1    | BUSHING (MOTOR)                                   |
| 46   | OJ8503 | 2    | BELT  |
| 47   | OJ8572 | 1    | SHEAVE (ENGINE) (0602290)                         |
|      | OJ8573 | 1    | SHEAVE (ENGINE) (0062300)                         |
|      | OJ8501 | 1    | SHEAVE (ENGINE) (0062280)                         |
| 48   | OJ8536 | 1    | EDGING 1" (SOLD PER FOOT (062280, 062300, 062290) |
| 49   | -      | 1    | DECAL WARNING (SEE OJ8062)                        |
| 50   | OJ8495 | 1    | BELTGUARD, BACK/SMALL                             |
| 51   | -      | 1    | DECAL WARNING (SEE OJ8062)                        |
| 52   | OJ8536 | 1    | EDGING 1" (SOLD PER FOOT)                         |
| 53   | OJ8494 | 1    | GUARD, FINGER - BLACK                             |
| 54   | -      | 1    | DECAL - RISK OF BURNS (SEE OJ8062)                |
| 55   | -      | 1    | DECAL - RISK OF FIRE (SEE OJ8062)                 |
| 56   | OJ8532 | 2    | HEX NYLON LOCKNUT-ZINC 1/4-20                     |
| 57   | OJ8527 | 4    | WASHER-ZI SAE TYPE A 1/4                          |
| 58   | OJ8547 | 1    | KEY   |
| 59   | OJ8524 | 4    | HHCS-ZI GR5 3/8-16 X 2                            |
| 60   | OJ8550 | 1    | ENGINE-ROBIN 14.0HP RECOIL (0062290, 0062300)     |
|      | OJ8490 | 1    | ENGINE-SUBARU 9.0HP RECOIL (0062280)              |
| 61   | -      | -    | DECAL - SILVER STICKER                            |
| 62   | -      | -    | PUMP KEY  |
| 63   | OJ8491 | 1    | PUMP-BELTDRIVE                                    |
| 64   | OJ8492 | 1    | BRACKET, PUMP - BLACK                             |
| -    | OJ8062 | 1    | DECAL-SET   |

# GROUP EV



Revision: -A-  
Date: 3/12/2012

Exploded View: EV UNLOADER ASSY - VR 3/B  
Part No.: 0J8542

# GROUP EV

| ITEM | PART   | QTY. | DESCRIPTION                     |
|------|--------|------|---------------------------------|
| 1    | OJ8552 | 1    | UNLOADER CAP - BLACK            |
| 2    | OJ8605 | 1    | HSH-ZI GR8.8 M8-1.25P X 25MM    |
| 3    | OJ8610 | 1    | HEX NUT-ZI GR8 M8-1.25P X 5MM   |
| 4    | OJ8551 | 1    | UNLOADER KNOB - BLACK           |
| 5    | OJ8554 | 1    | UNLOADER - ADJUSTMENT BARREL    |
| 6    | OJ8555 | 1    | UNLOADER PIN - STAINLESS        |
| 7    | OJ8570 | 1    | SPRING GUIDE                    |
| 8    | OJ8559 | 1    | UPPER PLATE                     |
| 9    | OJ8642 | 1    | SPRING - UNLOADER               |
| 10   | OJ8571 | 1    | LOWER PLATE                     |
| 11   | OJ8560 | 1    | PISTON - UNLOADER               |
| 12   | OJ8594 | 2    | O-RING                          |
| 13   | OJ8561 | 1    | PISTON GUIDE - UNLOADER         |
| 14   | OJ8592 | 1    | O-RING                          |
| 15   | OJ8590 | 1    | O-RING                          |
| 16   | OJ8562 | 1    | BY-PASS JET - UNLOADER          |
| 17   | OJ8563 | 1    | SEAT S.S. - UNLOADERER          |
| 18   | OJ8595 | 1    | O-RING                          |
| 19   | OJ8556 | 1    | BANJO BOLT - 3/8-19BSPSS        |
| 20   | OJ8586 | 2    | O-RING                          |
| 21   | OJ8564 | 1    | UNLOADER BODY                   |
| 22   | OJ8591 | 1    | O-RING                          |
| 23   | OJ8579 | 1    | ADAPTOR NIPPLE                  |
| 24   | OJ8583 | 1    | O-RING                          |
| 25   | OJ8641 | 1    | SPRING - UNLOADER CHECK VALVE   |
| 26   | OJ8553 | 1    | UNLOADER CHECK VALVE            |
| 27   | OJ8596 | 1    | O-RING                          |
| 28   | OJ8593 | 1    | O-RING                          |
| 29   | OJ8568 | 1    | BYPASS HOUSING - 1/2" G         |
| 30   | OJ8587 | 1    | O-RING                          |
| 31   | OJ8557 | 1    | BANJO BOLT - 1/2-14BSP          |
|      | OJ8711 | 1    | UNLOADER REPAIR KIT (NOT SHOWN) |