



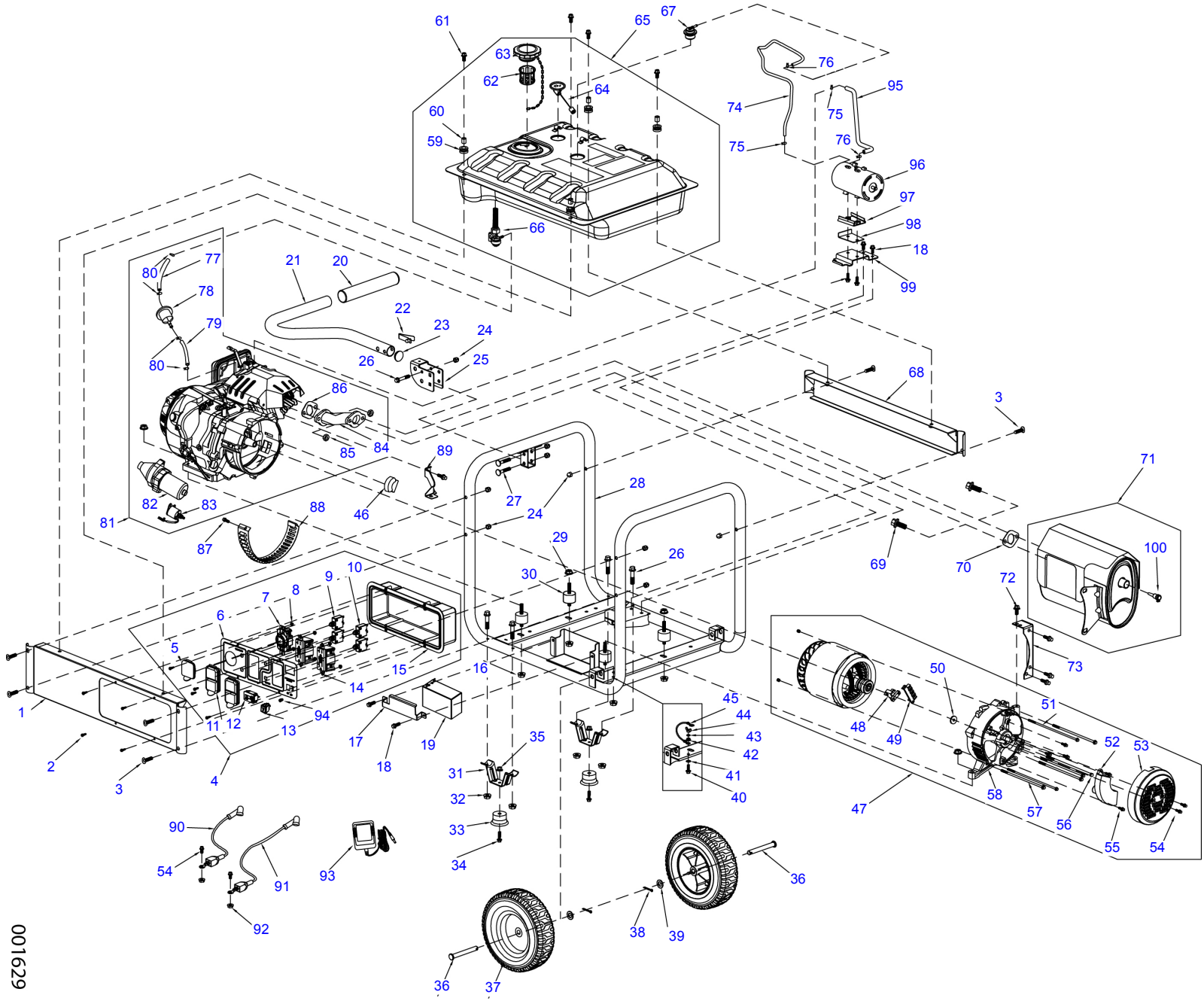
GP8000E Gasoline Portable Generator Parts Manual

WARNING

Operating, servicing and maintaining this equipment can expose you to chemicals including engine exhaust, carbon monoxide, phthalates, and lead, which are known to the State of California to cause cancer and birth defects or other reproductive harm. To minimize exposure, avoid breathing exhaust, do not idle the engine except as necessary, service your equipment in a well-ventilated area and wear gloves or wash your hands frequently when servicing your equipment. For more information go to www.P65Warnings.ca.gov. (000393)

The information in this manual is known to be accurate as of the date of release shown on the cover. However, engineering changes can occur without notice. To obtain the proper parts, be sure to use the serial number of the unit being serviced when ordering from this manual. Always refer to any part notes and changes before ordering. All other parts not shown in this manual can be found on Generac's exploded view drawings online on GENService at www.generac.com.

www.generac.com
1-888-GENERAC
(1-888-436-3722)



001629

| Item | Part No. | Description | Qty. |
|------|-------------|----------------------------|------|
| 1 | 0H97480ST03 | FRAME RAIL | 1 |
| 2 | 0H91980159 | PAN SCREW (M5X16) | 8 |
| 3 | 0H1780 | CURVED HEAD BOLT (M8X40) | 6 |
| 4 | 0K97920110 | CONTROL PANEL ASSEMBLY | 1 |
| 5 | 0G9391 | OUTLET COVER | 1 |
| 6 | 0J4536A | CONTROL PANEL FACE PLATE | 1 |
| 7 | 0G8758 | OUTLET 30A 120/250V | 1 |
| 8 | 0J86620108 | NUT M4 | 6 |
| 9 | 0K20680112 | 30A CIRCUIT BREAKER | 2 |
| 10 | 0H0265C | 20A CIRCUIT BREAKER | 2 |
| 11 | 0G9392 | OUTLET COVER | 2 |
| 12 | 0G8321 | HOUR METER | 1 |
| 13 | 0J0251 | ENGINE SWITCH | 1 |
| 14 | 0D4966 | OUTLET 20A 120V GFCI | 2 |
| 15 | 0G9756A | BACK PANEL COVER | 1 |
| 16 | 0K22930127 | NUT (M8) | 4 |
| 17 | 0J06940ST15 | BATTERY BRACKET COVER | 1 |
| 18 | 0G84420194 | BOLT(M6X12) | 7 |
| 19 | 0G9449 | BATTERY | 1 |
| 20 | 0G8442C113 | HANDLE GRIP | 1 |
| 21 | 0H97560ST15 | HANDLE | 1 |
| 22 | 0J5347 | SNAP BUTTON | 1 |
| 23 | 0H9760 | PLUG | 1 |
| 24 | 0H1782 | LOCKING CAP NUT (M8) | 9 |
| 25 | 0H97670ST15 | HANDLE BRACKET | 1 |
| 26 | G073144 | BOLT (M8X45) | 5 |
| 27 | 0H1781 | CARRIAGE HEAD BOLT (M8X46) | 2 |
| 28 | 0J02500ST15 | FRAME | 1 |
| 29 | 0G84420107 | NUT (M10) | 4 |
| 30 | 0K09150110 | RUBBER VIBRATION MOUNT | 4 |
| 31 | 0K0097 | BENT FRAME FOOT | 2 |
| 32 | 0K0098 | NUT (M8) | 4 |
| 33 | 0K0099 | RUBBER FOOT | 2 |
| 34 | 0K0100 | BOLT (M6X28) | 2 |
| 35 | 0K0105 | NUT (M6) | 2 |

| Item | Part No. | Description | Qty. |
|------|------------|-----------------------------|------|
| 36 | 0H0204 | AXLE PIN | 2 |
| 37 | 0K6011 | COMPLETE WHEEL | 2 |
| 38 | 0D4999 | COTTER PIN | 2 |
| 39 | G022304 | FLAT WASHER | 2 |
| 40 | 0J35220156 | BOLT (M6X20) | 1 |
| 41 | 0K0093 | SPECIAL LOCK WASHER | 1 |
| 42 | 0G84420272 | NUT (M6) | 1 |
| 43 | 0J47870118 | FLAT WASHER (6X0.8) | 1 |
| 44 | 0K0094 | NUT (M6) | 1 |
| 45 | 0K20670114 | GROUND WIRE ASSEMBLY | 1 |
| 46 | 0J86620104 | BAFFLE | 1 |
| 47 | 0L0566 | ALTERNATOR ASSEMBLY | 1 |
| 48 | 0H0919 | ALTERNATOR BRUSH | 1 |
| 49 | 0J83630111 | WIRE CONNECTOR TERMINAL | 1 |
| 50 | 0J86620102 | FLAT WASHER (M10X4) | 1 |
| 51 | 0H9838C112 | STATOR BOLT (M5X232) | 2 |
| 52 | 0H91980178 | AUTOMATIC VOLTAGE REGULATOR | 1 |
| 53 | 0H3049 | GENERATOR END COVER | 1 |
| 54 | 0J4967 | BOLT (M5X12) | 8 |
| 55 | 0J4968 | BOLT (M5X16) | 3 |
| 56 | 0H92090104 | ROTOR BOLT (M10X285) | 1 |
| 57 | 0H92090105 | STATOR BOLT (M6X193) | 4 |
| 58 | 0H91980171 | BEARING CARRIER HOUSING | 1 |
| 59 | 0H1411B | RUBBER MOUNT | 4 |
| 60 | 0H1610A | ANTI-CRUSH INSERT | 4 |
| 61 | 0E9507C | BOLT (M8X20) | 4 |
| 62 | 0H1326 | GAS TANK FUEL FILTER | 1 |
| 63 | 0H0958 | FUEL CAP | 1 |
| 64 | 0K09150113 | FUEL METER | 1 |
| 65 | 0L5750 | FUEL TANK 8 GALLON | 1 |

| Item | Part No. | Description | Qty. |
|------|-------------|------------------------------|------|
| 66 | 0J0974 | FUEL SHUTOFF VALVE | 1 |
| 67 | 0J7921 | ROLL OVER VALVE | 1 |
| 68 | 0H9749AST03 | BACK FRAME RAIL | 1 |
| 69 | 0E9507B | BOLT(M8X25) | 2 |
| 70 | 0J4691 | MUFFLER EXHAUST GASKET | 1 |
| 71 | 0H9763B | MUFFLER | 1 |
| 72 | 0E9470 | BOLT (M8X16) | 4 |
| 73 | 0J97760112 | MUFFLER BRACKET | 1 |
| 74 | 0K97920111 | PREFORMED HOSE | 1 |
| 75 | 0K97920112 | HOSE CLAMP | 2 |
| 76 | 0J35220174 | HOSE CLAMP | 2 |
| 77 | 0G9757A | FUEL HOSE (8X55) | 1 |
| 78 | 0G9914 | FUEL FILTER | 1 |
| 79 | 0G9757B | FUEL HOSE (8X80) | 1 |
| 80 | 0J25910115 | HOSE CLAMP | 4 |
| 81 | 0H9838F | ENGINE 420CC | 1 |
| 82 | 0H98380101 | STARTER MOTOR | 1 |
| 83 | 0H98380102 | CONTACTOR ASSEMBLY | 1 |
| 84 | 0J4535A | EXHAUST MANIFOLD | 1 |
| 85 | 0J35220161 | NUT (M8) | 2 |
| 86 | 0G9028 | EXHAUST GASKET | 1 |
| 87 | 0J00620100 | BOLT (M5X10) | 1 |
| 88 | 0H9761 | DUST COVER SHROUD | 1 |
| 89 | 0G8442C112 | AIR CLEANER BRACKET | 1 |
| 90 | 0J4157B | POSITIVE RED BATTERY CABLE | 1 |
| 91 | 0J4157A | NEGATIVE GREEN BATTERY CABLE | 1 |

| Item | Part No. | Description | Qty. |
|------|------------|----------------------------------|------|
| 92 | 0G84420271 | NUT (M5) | 2 |
| 93 | 0G5744 | BATTERY CHARGER | 1 |
| 94 | 0J4959 | 12VDC BATTERY CHARGER INPUT JACK | 1 |
| 95 | 0K97920113 | CARBON CANISTER BREATHER TUBE | 1 |
| 96 | 0K97920114 | CARBON CANISTER | 1 |
| 97 | 0K97920115 | CARBON CANISTER BRACKET | 1 |
| 98 | 0K97920116 | GUIDE PLATE BRACKET | 1 |
| 99 | 0J1962 | CARBON CANISTER BRACKET | 1 |
| 100 | 0J5207C110 | SPARK ARRESTOR | 1 |
| | | | |
| N/S | 0G5743A | TWENTY FOOT EXTENTION CORD | 1 |

Part No. 0K9792PMNL Rev. C 03/29/2018
©2018 Generac Power Systems, Inc.
All rights reserved
Specifications are subject to change without notice.
No reproduction allowed in any form without prior written consent from Generac Power Systems, Inc.

GENERAC®

Generac Power Systems, Inc.
S45 W29290 Hwy. 59
Waukesha, WI 53189
1-888-GENERAC (1-888-436-3722)
www.generac.com