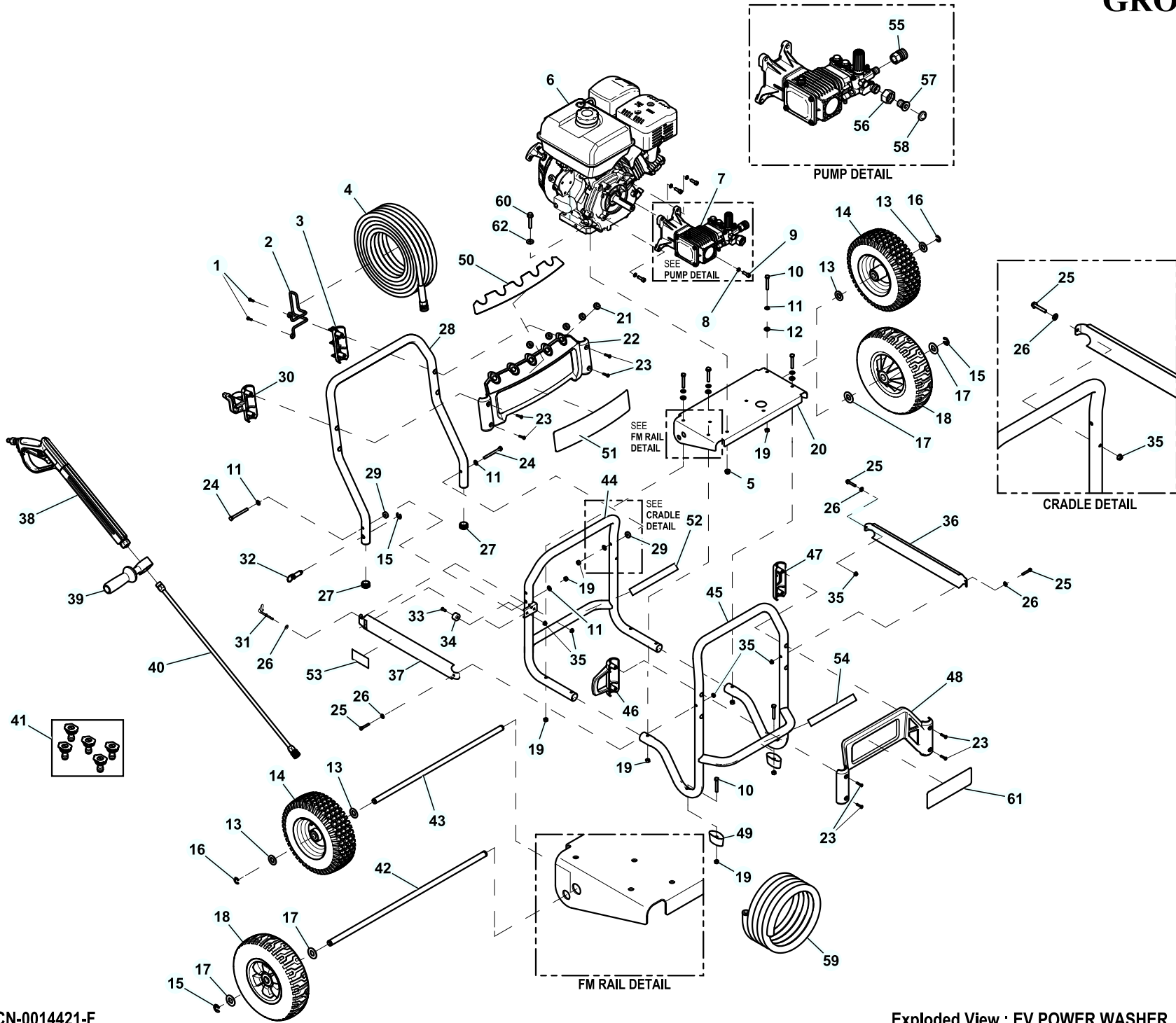


GROUP



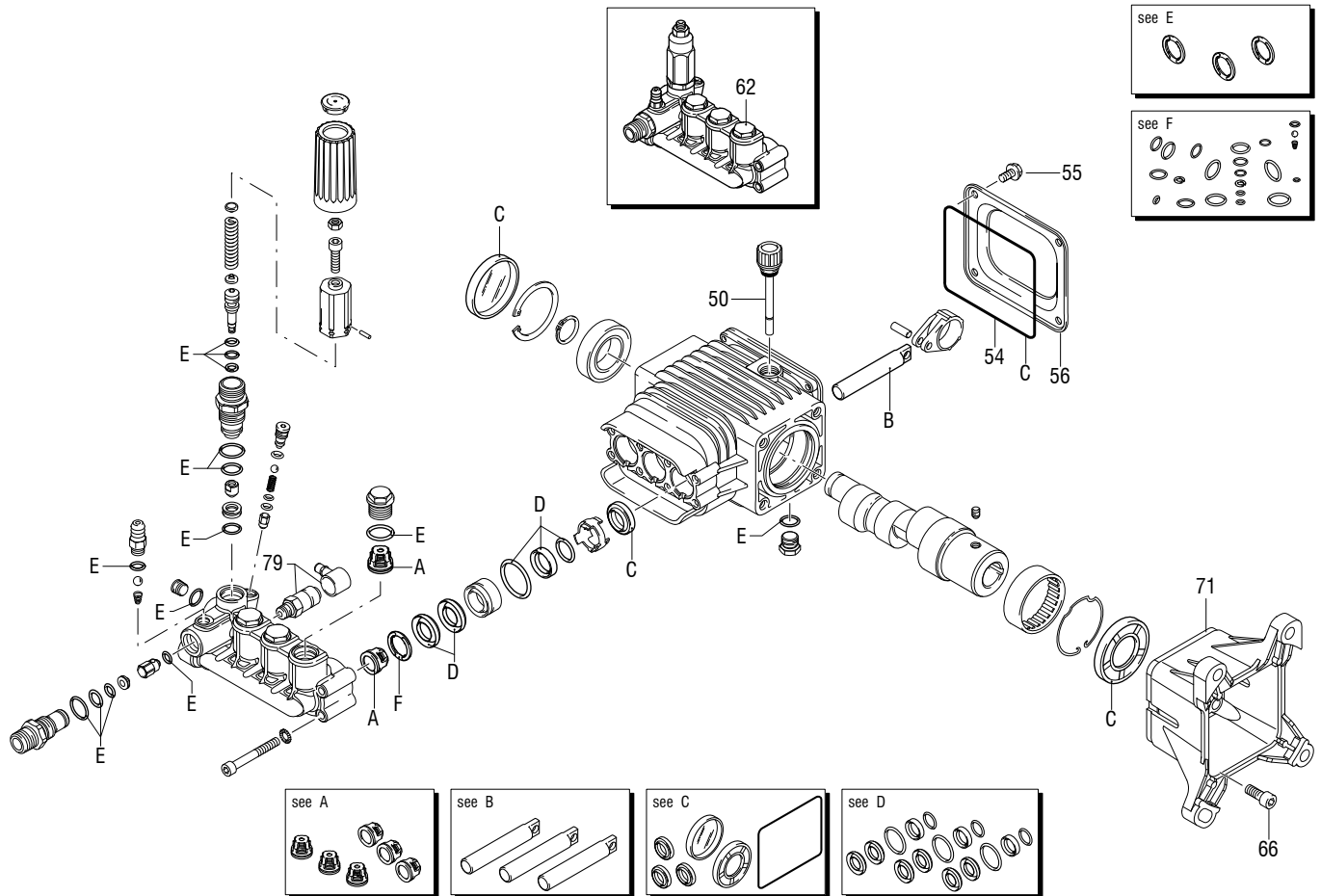
EXPLODED VIEW: EV POWER WASHER 3800/4200

DRAWING #: 0K4564

GROUP EV

ITEM	PART#	QTY.	DESCRIPTION
1	0J1545	2	SCREW BHSP M6-2.5 X 19MM
2	0J0211	1	HOOK GP HOSE
3	0H9637A	1	BILLBOARD CAP W/HOSE HOOK ORG
4	0K5465A	1	HOSE 3/8" X 35' W/QC DISK (3800 PSI)
	0K5465	1	HOSE 3/8" X 50' W/QC DISK (4200PSI)
5	067989	4	NUT HEX FL WHIZ M8-1.25
6	0K4510	1	ENGINE (3800 PSI)
	0K3133	1	ENGINE (4200 PSI)
7	0K1669	1	PUMP TRIPLEX 3.3 GPM (3800 PSI)
	0J0480	1	PUMP,TRIPLEX (4200 PSI)
8	092479	4	WASHER LOCK M8 RIBBED
9	0J3315	4	SCREW SHC M8-1.25 X 25 C8.8 ZP
10	0J3317	6	SCREW HHC M8-1.25X55 8.8 BL ZP
11	022145	8	WASHER FLAT 5/16-M8 ZINC
12	0D4417	4	WASHER,RUBBER 1/4" X 1/8" THK
13	045900	4	WASHER FLAT 3/4 ZINC (4200 PSI)
14	0K4506	2	WHEEL,12.8"OD PNUEM 3/4"OD AXL (4200 PSI)
15	0J2686	3	RING, SNAP - 5/8" TYPE E (3800 PSI)
	0J2686	1	RING, SNAP - 5/8" TYPE E (4200 PSI)
16	0J3255	2	RING, SNAP - 3/4" TYPE E (4200 PSI)
17	022247	4	WASHER FLAT 5/8 ZINC (3800 PSI)
18	0H9589B	2	WHEEL 10"D X 3" (3800 PSI)
19	049820	8	NUT HEX LOCK M8-1.25 NY INS
20	0J6839	1	FM RAIL-ENGINE GP SERIES
21	0J3079	5	GROMMET-NOZZLE
22	0H9620A	1	BILLBOARD-UPPER ORG
23	0J1544	8	SCREW BHSP M6-2.5 X 25MM
24	061906	2	SCREW HHC M8-1.25 X 85 C8.8
25	051753	3	SCREW HHC M6-1.0 X 40 C8.8 FTH
26	022473	4	WASHER FLAT 1/4-M6 ZINC
27	0H9731	2	TUBE END CAP - 1-1/4" OD TUBE
28	0H9601	1	TUBE-GP HANDLE
29	0J0688	2	WASHER, NYLON .325 X .875 X .25
30	0J0141A	1	BILLBOARD CAP W/GUN HOOK ORG
31	0J2422	1	ASSY-WIRE PULL START CORD
32	0J0050	1	PULL PIN ASSEMBLY
33	0J5086	1	SCREW BHSC M6-1.0 X 20 ZP
34	0J5254	1	BUMPER-HANDLE STOP
35	0E8388	5	NUT HEX FL WHIZ M6-1.0
36	0J5156A	1	BRACKET-SIDE W/O CUTOUT
37	0J5156B	1	BRACKET-SIDE W/CUTOUT
38	0K6183	1	GUN ASSY-W/RIBS (4200 psi)
39	0J1052	1	GUN SUPPORT HANDLE
40	0H9625A	1	LANCE ASSY-33" LONG SS
41	0H9617T	1	KIT-NOZZLE 035/037 (3800 PSI)
	0H9617E	1	KIT-NOZZLE (4200 PSI)
42	0H9603B	1	AXLE, 5/8" DIA (3800 PSI)
43	0J3252	1	AXLE, 3/4" DIA (4200 PSI)
44	0H9765	1	WLDMNT, GP TUBE FRAME RR
45	0H9592	1	WLDMNT, GP TUBE FRAME FT
46	0J0140A	1	BILLBOARD CAP W/WAND HOOK ORG
47	0J0139A	1	BILLBOARD CAP W/O HOOK ORG
48	0H9623A	1	BILLBOARD-LOWER BLANK
49	0G9055A	2	FOOT
50	0K1437A	1	DECAL-NOZZLE ID LG PRO (MATTE) (3800/4200 PSI)
51	0K1440C	1	DECAL-GENERAC (3800 PSI)
	0K1440D	1	DECAL-GENERAC (4200 PSI)
52	0J3376	1	DECAL QUICK START GP
53	0J3452	1	DECAL-ON/OFF
54	0J3375	1	DECAL QUICK START GP
55	0H9568	1	COUPLING-FEMALE QDISK
56	0J1445	1	NUT-GARDEN HOSE INLET
57	0J1443	1	NIPPLE-GARDEN HOSE INLET
58	0J1444	1	SCREEN-GARDEN HOSE INLET
59	0J5710	1	DETERGENT HOSE AND FILTER
60	G073144	4	SCREW HHFC M8-1.25 X 45 G8.8
61	0K4636	1	DECAL, GENERAC LOGO
62	0L0809	4	WASHER FLAT 5/16 W ZP

POWER WASHER PUMP, TRIPLEX-4GPM 4000 PSI – REPLACEMENT PARTS



REF. #	Generac Part #	QTY	Description
	OJ0480	1	COMPLETE PUMP, TRIPLEX-4GPM 4000 PSI
50	OH95660120	1	CAP/DIPSTICK, OIL
54	OH95660121	1	GASKET
55	OH95660122	4	SCREW, M6x12
56	OH95660123	1	COVER, REAR
62	OJ04800115	1	PUMP HEAD, PRE-ASSY.
66	OH95660125	4	SCREW, M8x20
71	OH95660126	1	FLANGE, GAS ENGINE
79	OH9570	1	VALVE ASSY., THERMAL RELIEF

REF. #	Generac Part #	QTY	Repair Kits
A*	OJ04800110	1	KIT, VALVE
A*	OJ04800118	1	KIT, VALVE
B	OH95660111	1	KIT, PISTON
C	OH95660112	1	KIT, OIL SEALS
D	OH95660113	1	KIT, WATER SEALS
E	OH95660114	1	KIT, O-RINGS
F	OH95660115	1	KIT, SUPPORT RINGS

*If pump serial number is prior to 27635120428223994, use Valve Kit OJ04800110.

If pump serial number is equal or greater than 27635120428223994, use Valve Kit OJ04800118.

GENERAC®

Generac Power Systems, Inc.
 S45 W29290 Hwy. 59
 Waukesha, WI 53189
 1-888-GENERAC (1-888-436-3722)