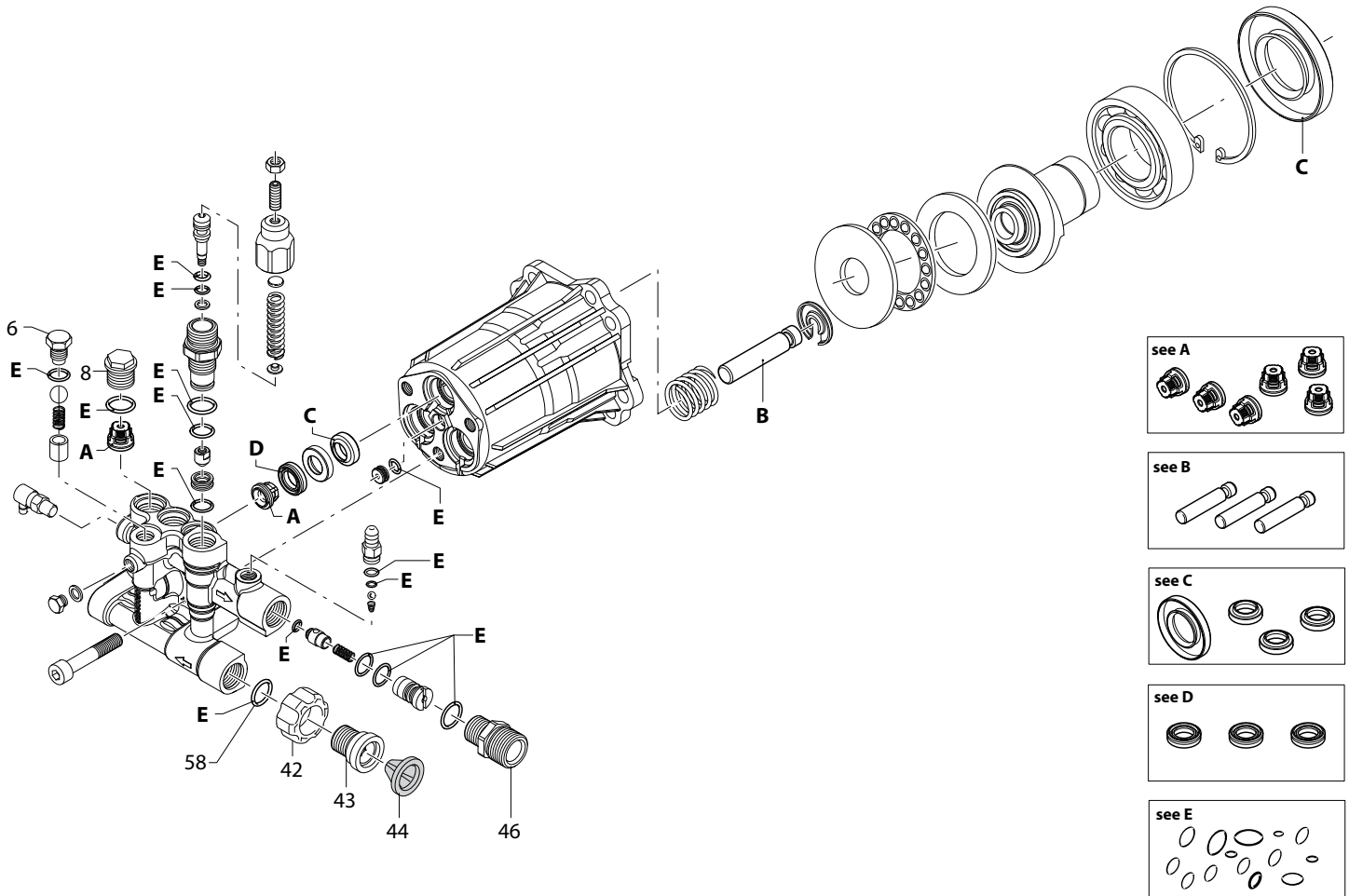


# POWER WASHER PUMP, AXIAL-2.2GPM 2400 PSI – REPLACEMENT PARTS



| REF. # | Part #     | QTY | Description                  |
|--------|------------|-----|------------------------------|
|        | 0K1663     | 1   | PUMP, AXIAL 2.2 GPM 2400 PSI |
| 6      | 0H95650130 | 1   | SCREW                        |
| 8      | 0J93750100 | 3   | PLUG                         |
| 42     | 0H95650120 | 1   | FITTING (3/4"NH)             |
| 43     | 0H95650121 | 1   | FITTING                      |
| 44     | 0H95650122 | 1   | FILTER                       |
| 46     | 0H95650123 | 1   | FITTING                      |
| 58     | 0H95650124 | 2   | O-RING (14X2)                |

| REF. # | Part #     | Description       |
|--------|------------|-------------------|
| A      | 0H95650110 | KIT - VALVES      |
| B      | 0H95650111 | KIT - PISTONS     |
| C      | 0J93750102 | KIT - OIL SEALS   |
| D      | 0H95650113 | KIT - WATER SEALS |
| E      | 0K16630110 | KIT - O-RINGS     |