



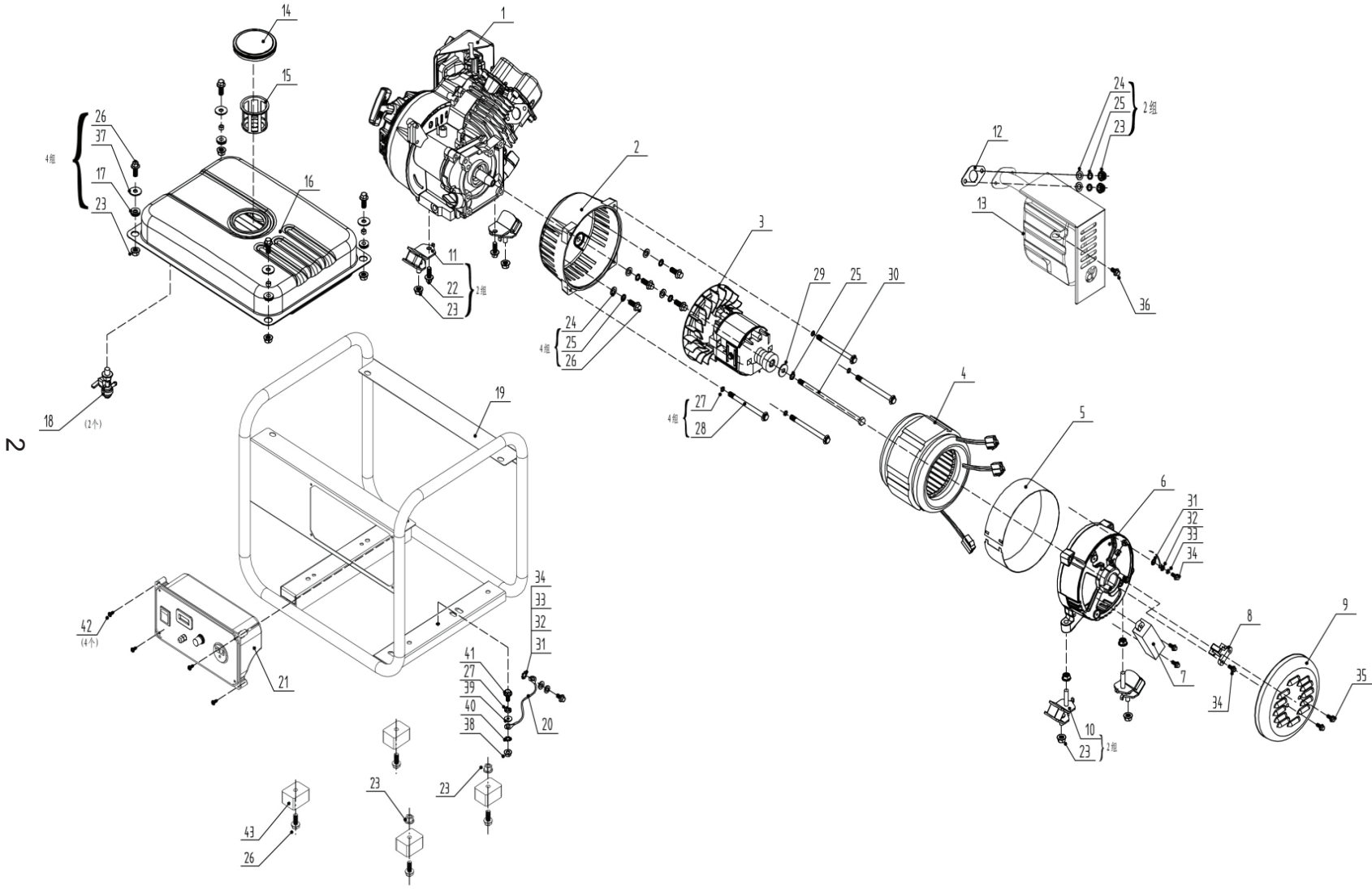
# Parts Manual

**GP1100 93cc**

**Model 0067400**

**NOTICE!**

The information in this manual is known to be accurate as of the date of release shown on the cover. However, engineering changes can occur without notice. To obtain the proper parts, please be sure to use the serial number of the unit being serviced when ordering from this manual. Always refer to any parts notes and changes before ordering. All other parts not shown in this manual can be found on Generac's exploded view drawings online on GENservice at [www.generac.com](http://www.generac.com).



GP1100 Model 006740-0

# GP1100 Model 006740-0



Item	Part #	Qty	Description
1	0K9577A	1	ENGINE 93CC
2	0K95850110	1	160 FRONT END COVER
3	0K95850111	1	ROTOR ASSEMBLY
4	0K95780110	1	STATOR ASSEMBLY
5	0K95850113	1	ALTERNATOR GUARD BOARD
6	0J08180205	1	160 REAR END COVER
7	0K95850114	1	2KW AUTOMATIC VOLTAGE REGULATOR
8	0J08190101	1	CARBON BRUSH
9	029030300203	1	160 REAR END COVER GUARD
10	0H3415	2	#2 VIBRATION MOUNTS
11	0K95850115	2	#1 VIBRATION MOUNTS
12	0K95530176	1	MUFFLER GASKET
13	0K95850116	1	MUFFLER
14	0K95780111	1	FUEL TANK CAP
15	0H1326	1	FUEL TANK FILTER
16	0K95850118	1	FUEL TANK (4.8L)
17	0J6679	4	FUEL TANK SHOCK ABSORBER
18	0K95850119	1	FUEL SHUT OFF VALVE
19	0K95850120	1	FRAME
20	0J94810114	1	GROUNDING WIRE
21	0K95780112	1	CONTROL PANEL
22	0H33750247	2	FLANGE BOLT (M8X16)
23	0J08180243	12	NUT (M8)
24	0J08180229	6	FLAT WASHER
25	0J08180230	7	SPRING WASHER
26	0J08180231	12	BOLT (M8X20)
27	0J08180235	5	SPRING WASHER
28	0K95850122	4	STATOR BOLT (M6X105)
29	0J08180232	1	FLAT WASHER
30	0K95780113	1	ROTOR BOLT (M8X180)
31	0J08180236	2	STAR WASHER
32	0J08180237	2	FLAT WASHER
33	0J08180238	2	SPRING WASHER
34	0J08180239	5	FLANGE BOLT (M5X16)
35	0J08180242	2	FLANGE BOLT (M5X12)
36	0H33750126	1	FLANGE BOLT (M6X12)
37	0J08180246	4	LARGE FLAT WASHER
38	0H33750171	5	NUT (M6)

Item	Part #	Qty	Description
39	0J08180248	1	FLAT WASHER
40	0J08180249	1	STAR LOCK WASHER
41	0K33920113	1	FLANGE BOLT (M6X14)
42	0J08180250	4	CROSS RECESSED PAN HEAD TAPPING SCREW (ST4.2X12)
43	0K95850124	4	SQUARE FOOT MOUNT
NOT SHOWN	0L0144	1	ROTOR AND STATOR ASSEMBLY