



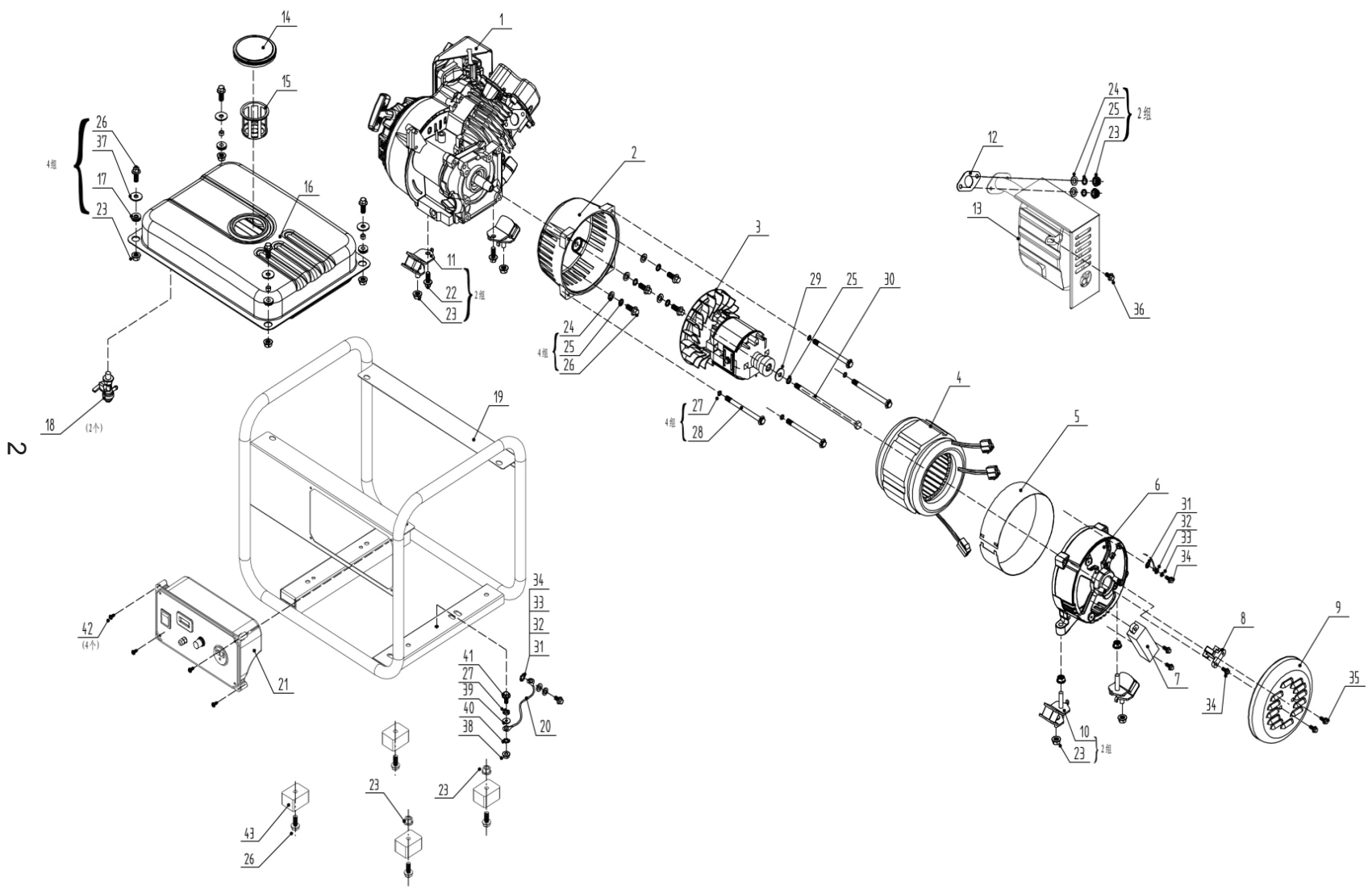
# Parts Manual

**GP1100 93cc**

**Model 0067400**

**NOTICE!**

The information in this manual is known to be accurate as of the date of release shown on the cover. However, engineering changes can occur without notice. To obtain the proper parts, please be sure to use the serial number of the unit being serviced when ordering from this manual. Always refer to any parts notes and changes before ordering. All other parts not shown in this manual can be found on Generac's exploded view drawings online on GENservice at [www.generac.com](http://www.generac.com).



2

GP1100 Model 006740-0

# GP1100 Model 006740-0



| Item | Part #       | Qty | Description                     |
|------|--------------|-----|---------------------------------|
| 1    | 0K9577A      | 1   | ENGINE 93CC                     |
| 2    | 0K95850110   | 1   | 160 FRONT END COVER             |
| 3    | 0K95850111   | 1   | ROTOR ASSEMBLY                  |
| 4    | 0K95780110   | 1   | STATOR ASSEMBLY                 |
| 5    | 0K95850113   | 1   | ALTERNATOR GUARD BOARD          |
| 6    | 0J08180205   | 1   | 160 REAR END COVER              |
| 7    | 0K95850114   | 1   | 2KW AUTOMATIC VOLTAGE REGULATOR |
| 8    | 0J08190101   | 1   | CARBON BRUSH                    |
| 9    | 029030300203 | 1   | 160 REAR END COVER GUARD        |
| 10   | 0H3415       | 2   | #2 VIBRATION MOUNTS             |
| 11   | 0K95850115   | 2   | #1 VIBRATION MOUNTS             |
| 12   | 0K95530176   | 1   | MUFFLER GASKET                  |
| 13   | 0K95850116   | 1   | MUFFLER                         |
| 14   | 0K95780111   | 1   | FUEL TANK CAP                   |
| 15   | 0H1326       | 1   | FUEL TANK FILTER                |
| 16   | 0K95850118   | 1   | FUEL TANK (4.8L)                |
| 17   | 0J6679       | 4   | FUEL TANK SHOCK ABSORBER        |
| 18   | 0K95850119   | 1   | FUEL SHUT OFF VALVE             |
| 19   | 0K95850120   | 1   | FRAME                           |
| 20   | 0J94810114   | 1   | GROUNDING WIRE                  |
| 21   | 0K95780112   | 1   | CONTROL PANEL                   |
| 22   | 0H33750247   | 2   | FLANGE BOLT (M8X16)             |
| 23   | 0J08180243   | 12  | NUT (M8)                        |
| 24   | 0J08180229   | 6   | FLAT WASHER                     |
| 25   | 0J08180230   | 7   | SPRING WASHER                   |
| 26   | 0J08180231   | 12  | BOLT (M8X20)                    |
| 27   | 0J08180235   | 5   | SPRING WASHER                   |
| 28   | 0K95850122   | 4   | STATOR BOLT (M6X105)            |
| 29   | 0J08180232   | 1   | FLAT WASHER                     |
| 30   | 0K95780113   | 1   | ROTOR BOLT (M8X180)             |
| 31   | 0J08180236   | 2   | STAR WASHER                     |
| 32   | 0J08180237   | 2   | FLAT WASHER                     |
| 33   | 0J08180238   | 2   | SPRING WASHER                   |
| 34   | 0J08180239   | 5   | FLANGE BOLT (M5X16)             |
| 35   | 0J08180242   | 2   | FLANGE BOLT (M5X12)             |
| 36   | 0H33750126   | 1   | FLANGE BOLT (M6X12)             |
| 37   | 0J08180246   | 4   | LARGE FLAT WASHER               |
| 38   | 0H33750171   | 5   | NUT (M6)                        |

| Item      | Part #     | Qty | Description                                      |
|-----------|------------|-----|--|
| 39        | 0J08180248 | 1   | FLAT WASHER                                      |
| 40        | 0J08180249 | 1   | STAR LOCK WASHER                                 |
| 41        | 0K33920113 | 1   | FLANGE BOLT (M6X14)                              |
| 42        | 0J08180250 | 4   | CROSS RECESSED PAN HEAD TAPPING SCREW (ST4.2X12) |
| 43        | 0K95850124 | 4   | SQUARE FOOT MOUNT                                |
| NOT SHOWN | 0L0144     | 1   | ROTOR AND STATOR ASSEMBLY                        |