

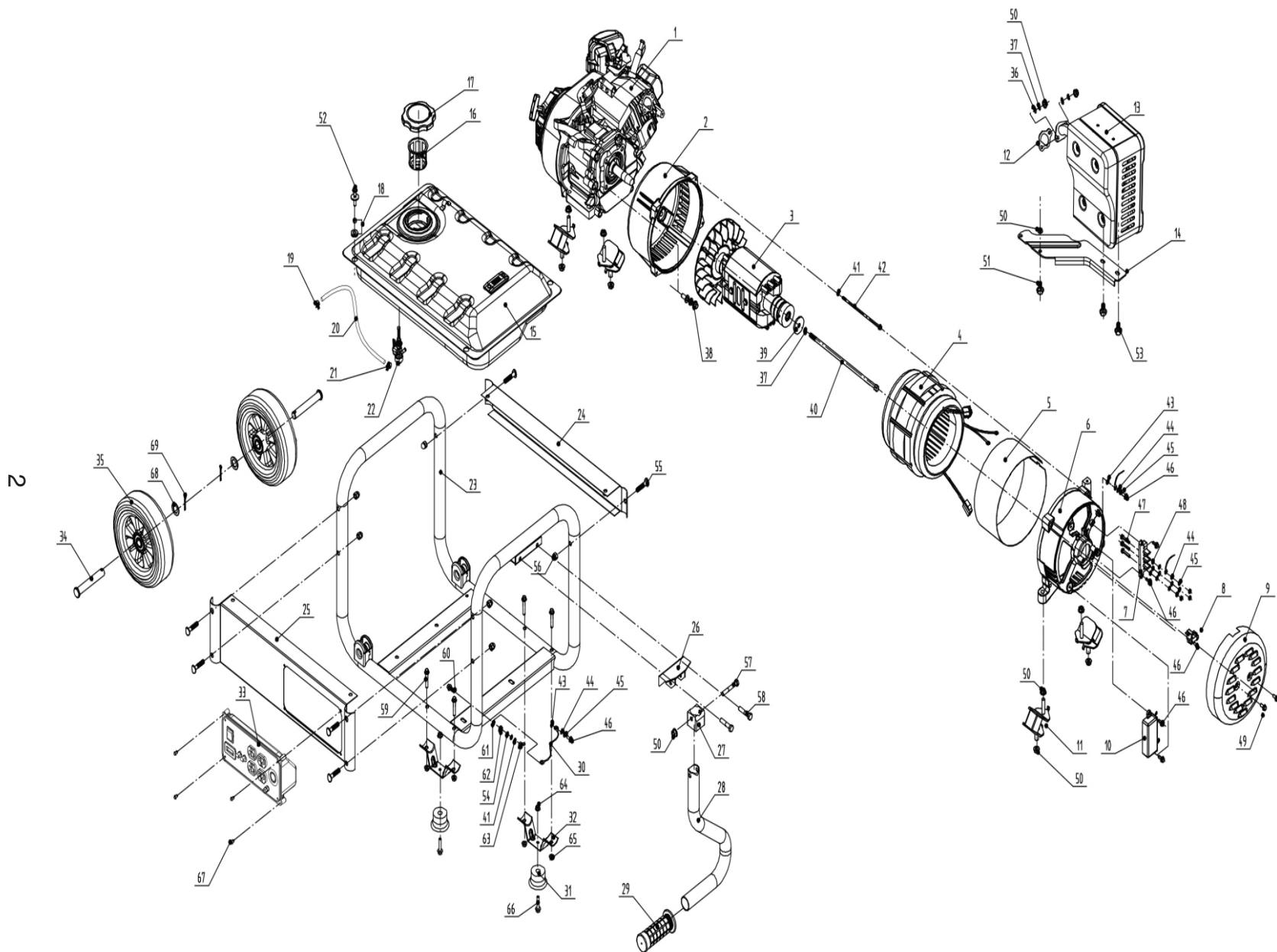


Parts Manual

GP3300 208cc (Models 0067450 & 0068460)

NOTICE!

The information in this manual is known to be accurate as of the date of release shown on the cover. However, engineering changes can occur without notice. To obtain the proper parts, please be sure to use the serial number of the unit being serviced when ordering from this manual. Always refer to any parts notes and changes before ordering. All other parts not shown in this manual can be found on Generac's exploded view drawings online on GENservice at www.generac.com.



Item	Part #	Qty	Description
1	0K6813	1	ENGINE 208CC WITHOUT CATALYST
2	0H3976	1	FRONT END COVER
3	0K95840110	1	ROTOR ASSEMBLY
4	0K95840111	1	STATOR ASSEMBLY
5	0K33430110	1	ALTERNATOR GUARD BOARD
6	0J6975	1	REAR BEARING CARRIER
7	0J6979	1	WIRE CONNECTOR TERMINAL
8	0H3380	1	CARBON BRUSH ASSEMBLY
9	0H3382	1	REAR BEARING CARRIER COVER
10	0J94810111	1	3KW AUTOMATIC VOLTAGE REGULATOR
11	0H3415	4	VIBRATION MOUNT
12	0H3378	1	MUFFLER GASKET
13	0K68130113	1	MUFFLER
14	0H3379	1	MUFFLER BRACKET
15	0K95840112	1	FUEL TANK (13.25L)
16	0H1326	1	FUEL TANK FILTER
17	0K95810114	1	FUEL CAP
18	0J6679	4	FUEL TANK RUBBER MOUNT
19	0H33750173	1	CLAMP
20	0K95700148	0.2	FUEL HOSE (4.5MM)
21	0J08180222	1	CLAMP
22	0H3384	1	FUEL SHUTOFF VALVE
23	0K28710ST15	1	FRAME ASSEMBLY
24	0K28750ST15	1	EXHAUST SIDE PANEL
25	0K28720ST15	1	CONTROL SIDE PANEL
26	0H3408AST15	1	HANDLE SUPPORT
27	0H3396A	1	HANDLE SPACER
28	0H3394AST15	1	HANDLE
29	0J6631A	1	HANDLE GRIP
30	0K33910112	1	GROUND WIRE
31	0J8836	2	FOOT ISOLATOR
32	0J9354AST03	2	FOOT BRACKET
33	0K95840113	1	CONTROL PANEL
34	0K2873	2	AXLE
35	0H3392	2	WHEEL KIT
36	0J08180229	2	FLAT WASHER
37	0J08180230	3	SPRING WASHER
38	0K33910114	4	FLANGE BOLT WITH FLAT WASHER AND SPRING WASHER (M8X25)
39	0J08180232	1	FLAT WASHER

Item	Part #	Qty	Description
40	0K33430112	1	ROTOR BOLT (5/16X200)
41	0J08180235	7	SPRING WASHER
42	0K33430111	4	STATOR BOLT (M6X120)
43	0J08180236	2	STAR LOCK WASHER
44	0J08180237	8	FLAT WASHER
45	0J08180238	5	SPRING WASHER
46	0J08180239	7	BOLT (M5X16)
47	0J08180240	3	FULL THREAD BOLT (M5X20)
48	0J08180241	6	NUT (M5)
49	0J08180242	2	BOLT (M5x12)
50	0J08180243	12	NUT (M8)
51	0J08180244	1	BOLT (M8x35)
52	0K33910126	4	BOLT (M8x25)
53	0H33750126	2	BOLT (M6x12)
54	0J08180248	4	FLAT WASHER
55	0K33910115	6	SHAPED BOLT
56	0K33910116	6	ACORN NUT (M8)
57	0K33910117	1	BOLT (M8x55)
58	0H33750248	2	BOLT (M8x40)
59	0K33910118	4	BOLT (M8x45)
60	0K33910123	1	BOLT (M6x20)
61	0J08180249	1	STAR LOCK WASHER
62	0H33750171	1	NUT (M6)
63	0K33910122	1	BUTTERFLY NUT (M6)
64	0K33910121	2	NUT (M6)
65	0K33910119	4	NUT (M8)
66	0K33910120	2	BOLT (M6x28)
67	0J08180250	4	PHILIPS TAPPING SCREW (ST4.2X12)
68	0K33910124	2	FLAT WASHER
69	0K33910125	2	COTTER PIN
NOT SHOWN	0H1345G	1	FUEL GAUGE (80MM LONG ARM)
NOT SHOWN	0K3343	1	ROTOR AND STATOR ASSEMBLY