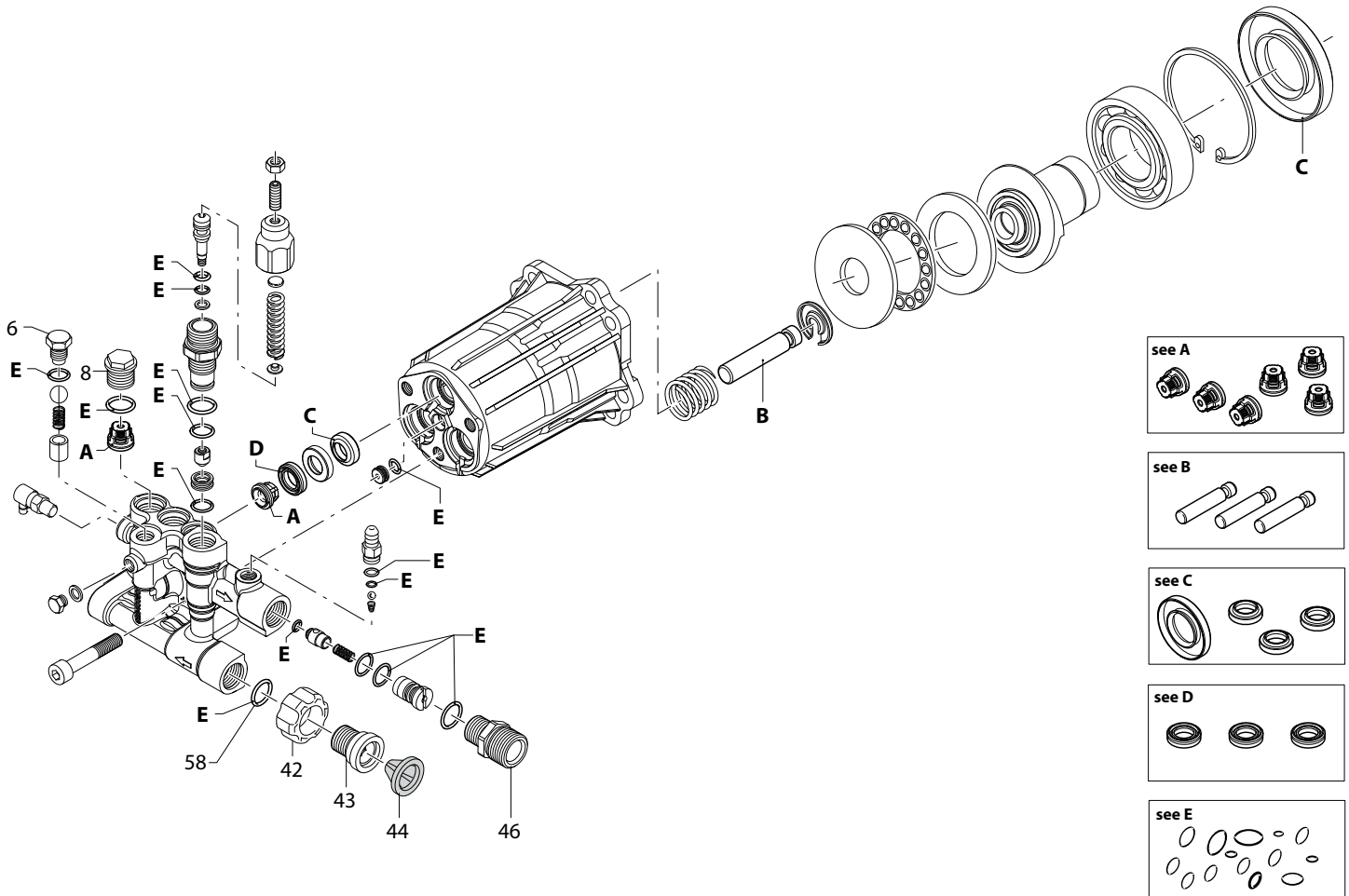


**EXPLODED VIEW: EV MOD PLTFRM 2500PSI****DRAWING #:0L6525****GROUP EV**

<b>ITEM</b>	<b>PART#</b>	<b>QTY.</b>	<b>DESCRIPTION</b>
1	0K8430	1	ENGINE
2	0L4739	1	HANDLE C-GRIP
3	10000001678	1	HANDLE KIT PW RESI
4	0L4738	1	HOLSTER GUN BLACK
5	0J1449	2	FASTENER RIBBED SHANK CHRSTM T
6	0H9642A	1	GUN ASSEMBLY
7	0H9640	1	LANCE ASSY-20" LONG
8	0K0921	1	HOSE 25'X1/4" W/M22
9	0J3052	1	HOOK-HOSE
10	0K9974	2	PUSH NUT
11	0J3079	4	GROMMET-NOZZLE
12	0H9617R	1	KIT-NOZZLE
13	0L4740B	1	DECAL NOZZLE BILLBOARD 2500
14	0K1663	1	PUMP AXIAL
15	0J3315	4	SCREW SHC M8-1.25X25 C8.8 ZP
16	G092479	4	WASHER LOCK M8 RIBBED
17	G067989	8	NUT HEX FL WHIZ M8-1.25
18	0G5442	2	SNAP BUTTON
19	10000027441	1	CRADLE KIT
20	G021217	4	VIB MOUNT
21	0L2091	1	DECAL NO NOT USE BLEACH
22	0K4078A	1	CAP CHEM TANK W/HOSE CUTOUT
23	0J3374	1	DECAL QUICK START
24	0K6007	1	DECAL QUICK START
25	10000021533	2	PIN AXLE
26	0J6276	2	WHEEL
27	G022304	2	WASHER

# POWER WASHER PUMP, AXIAL-2.2GPM 2400 PSI – REPLACEMENT PARTS



REF. #	Part #	QTY	Description
	0K1663	1	PUMP, AXIAL 2.2 GPM 2400 PSI
6	0H95650130	1	SCREW
8	0J93750100	3	PLUG
42	0H95650120	1	FITTING (3/4"NH)
43	0H95650121	1	FITTING
44	0H95650122	1	FILTER
46	0H95650123	1	FITTING
58	0H95650124	2	O-RING (14X2)

REF. #	Part #	Description
A	0H95650110	KIT - VALVES
B	0H95650111	KIT - PISTONS
C	0J93750102	KIT - OIL SEALS
D	0H95650113	KIT - WATER SEALS
E	0K16630110	KIT - O-RINGS