



# SERVICE PARTS LIST

BUL. 54-06-0202

1/4" PISTOL DRILL

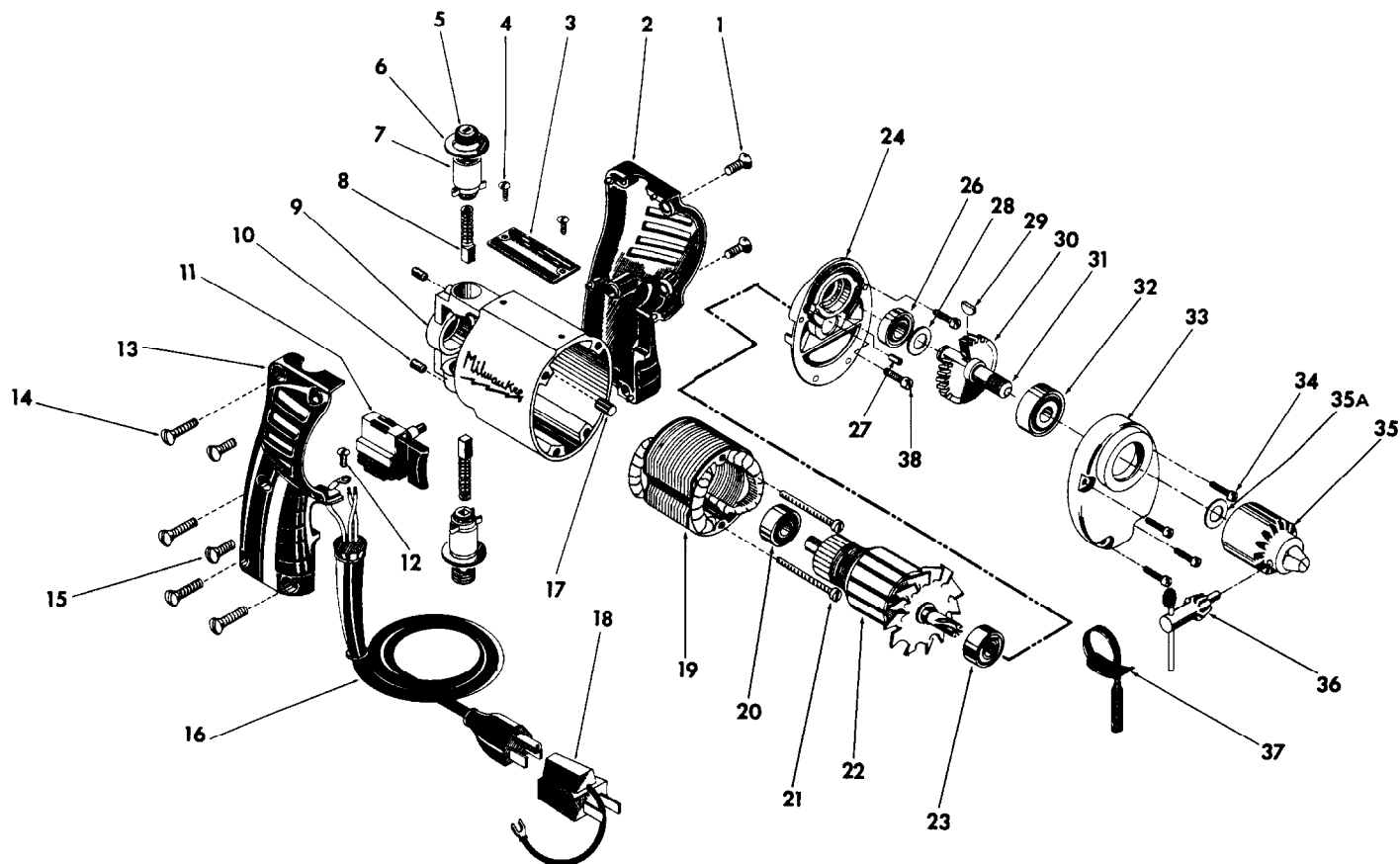
REVISED BUL 54-06-0201 DATE June '68

Catalog No. 0101

Starting Serial No. 376-6261

WIRING INSTR. 58-01-0030

Both Model and Serial No. must be furnished to obtain correct parts.



### ILLUSTRATED PARTS

FIG.	PART NO.	DESCRIPTION OF PART	FIG.	PART NO.	DESCRIPTION OF PART
1	06-81-3600	8-32x3/8 Oval Hd. Handle Mtg. Scr.	(2)	20	02-04-0740 Ball Bearing
2	31-44-0111	L.H. Handle Half	21	06-81-5950	6-32x1-7/8 Fil. Hd. Field Scr. (2)
3	12-98-0600	Name Plate	22	16-22-1270	Armature Assy.
4	06-81-4300	3-48x3/16 Rd. Hd. Name Plate Scr.	(2)	23	02-04-0880 Ball Bearing
5	23-44-0020	Brush Retaining Cap	(2)	24	28-28-0941 Diaphragm
6	23-86-0070	Insulating Washer	(2)	26	02-08-0375 Ball Bearing
7	22-22-0251	Brush Holder Assy.	(2)	27	45-30-0070 Ball Bearing Ret. Slug
8	22-18-0360	Carbon Brush Assy.	(2)	28	45-88-0250 Washer
9	28-50-6091	Motor Housing Assy. (Incl. Item 17)	29	06-42-0400	Woodruff Key
10	06-83-0100	10-32x1/4 Hd. less Brush Holder Scr.	(2)	30	32-75-1901 Spindle Gear
11	23-66-0560	Switch	★31	38-50-5021	Spindle
12	06-81-8625	6-32x1/4 (Brass) Rd. Hd. Ground Scr.	(2)	★32	02-04-1040 Ball Bearing
13	31-44-0100	R.H. Handle Half	★33	28-14-1331	Gear Case
14	06-81-3650	8-32x3/4 Oval Hd. Handle Mtg. Scr.	(4)	34	06-81-6300 8-32x7/8 Fil. Hd. Gear Case Scr. (4)
15	06-81-3600	8-32x3/8 Oval Hd. Handle Mtg. Scr.	(2)	35	45-88-0250 Chuck
16	22-64-0450	Cord Set	35A	48-66-0250	Chuck Washer
17	45-30-0120	Ball Bearing Ret. Slug	36	48-66-3200	Chuck Key
18	48-03-0010	Attach. Plug Adaptor (Except Canada)	37	48-66-4080	Key Holder
19	18-22-1030	Field Assy.	38	06-81-6150	8-32x1/2 Fil. Hd. Diaphragm Scr. (2)