



SERVICE PARTS LIST

BUL. 54-06-0301

1/4" SPEED CONTROL DRILL

REVISED BUL
6402-2

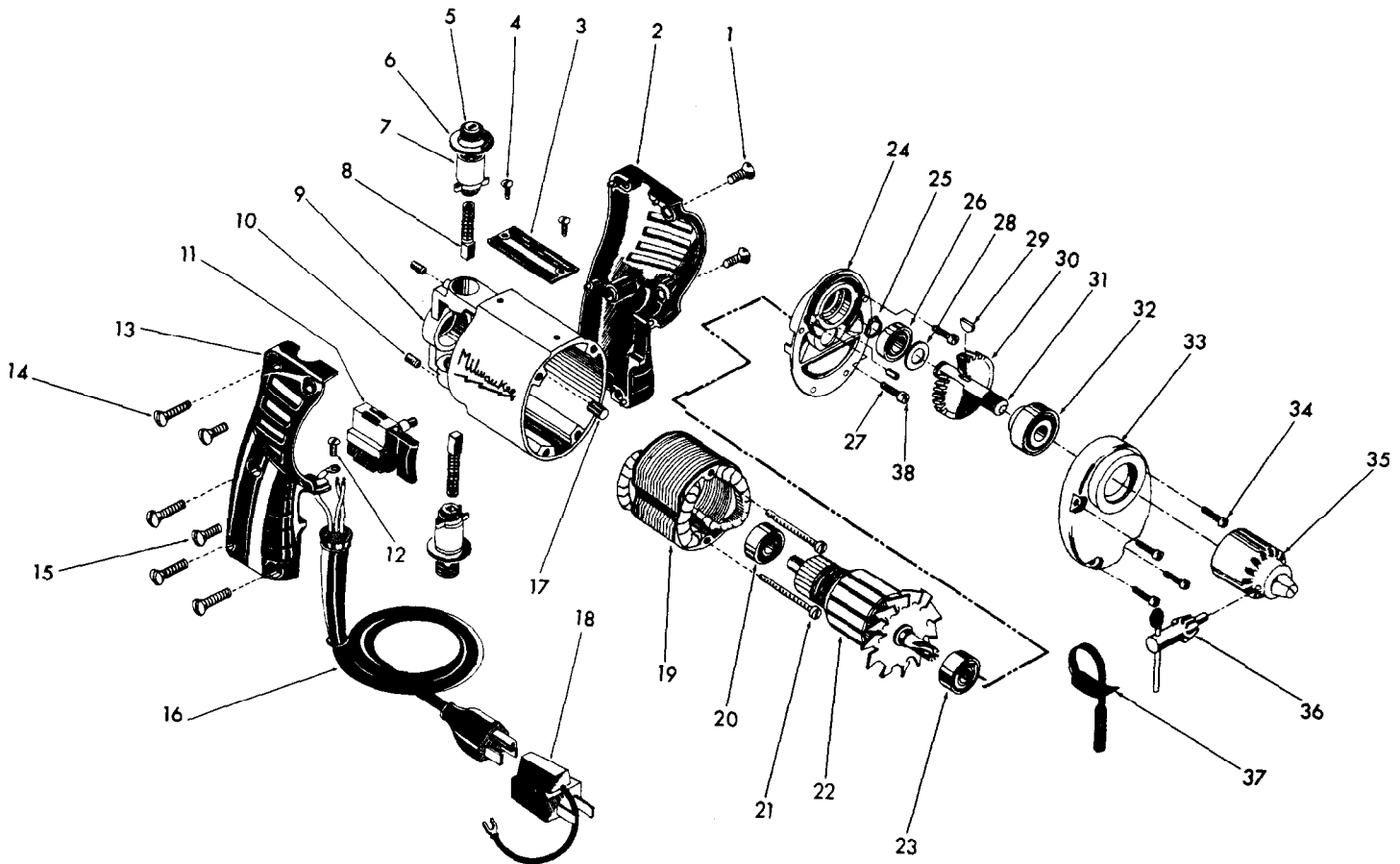
DATE
Feb. '68

Catalog No. 0102

Starting Serial No. 402-2001

WIRING INSTR.

Both Model and Serial No. must be furnished to obtain correct parts.



CORRECTS & SUPERCEDES
SERVICE BULLETIN 6402-2
DATED 6/19/67

ILLUSTRATED PARTS

FIG.	PART NO.	DESCRIPTION OF PART	NO.REQ.	FIG.	PART NO.	DESCRIPTION OF PART	NO.REQ.
1	06-81-3600	8-32x3/8 Oval Hd. Handle Mtg. Scrs.	(2)	20	02-04-0740	Ball Bearing	
2	31-44-0111	L. H. Handle Half		21	06-81-5950	6-32 x 1-7/8 Fil. Hd. Field Screws	(2)
3	12-98-0600	Name Plate		*22	16-22-1280	Armature Assy.	
4	06-81-4300	3-48x3/16 Rd. Hd. Name Plate Scrs.	(2)	*23	02-04-0880	Ball Bearing	
5	23-44-0020	Brush Retaining Cap	(2)	24	28-28-0941	Diaphragm	
6	23-86-0070	Insulating Washer	(2)	25	34-60-0700	Spindle Retaining Ring	
7	22-22-0251	Brush Holder Assy.	(2)	26	02-08-0375	Ball Bearing	
8	22-18-0360	Carbon Brush Assy.	(2)	27	45-30-0070	Ball Bearing Retaining Slug	
9	28-50-6091	Motor Housing		28	45-88-0250	Washer	
10	06-83-0100	10-32 x 1/4 Hd'less Slotted Br. Hd. Scrs.	(2)	29	06-42-0400	Woodruff Key	
11	23-66-0600	Speed Control Switch		30	32-75-1901	Spindle Gear	
12	06-81-8625	6-32 x 1/4 (Bronze) Rd. Hd. Ground Scr.		31	38-50-3451	Spindle	
13	31-44-0100	R. H. Handle Half		32	02-40-1000	Ball Bearing	
14	06-81-3650	8-32 x 3/4 Oval Hd. Handle Mtg. Scrs.	(4)	33	28-14-1001	Gear Case	
15	06-81-3600	8-32 x 3/8 Oval Hd. Handle Mtg. Scrs.	(2)	34	06-81-6300	8-32 x 7/8 Fil. Hd. Sems Gear Case Scrs.	(4)
16	22-64-0450	Cord Set		35	48-66-0260	Chuck	
17	45-30-0120	Ball Bearing Ret. Slug		36	48-66-3200	Chuck Key	
*18	48-03-0010	Attachment Plug Adaptor (Except in Canada)		37	48-66-4080	Key Holder	
19	18-22-1121	Field		38	06-81-6150	8-32 x 1/2 Fil. Hd. Sems Diaphragm Scr.	(2)