



SERVICE PARTS LIST

BUL. 54-06-0350

1/4" REV. SPEED CONTROL DRILL

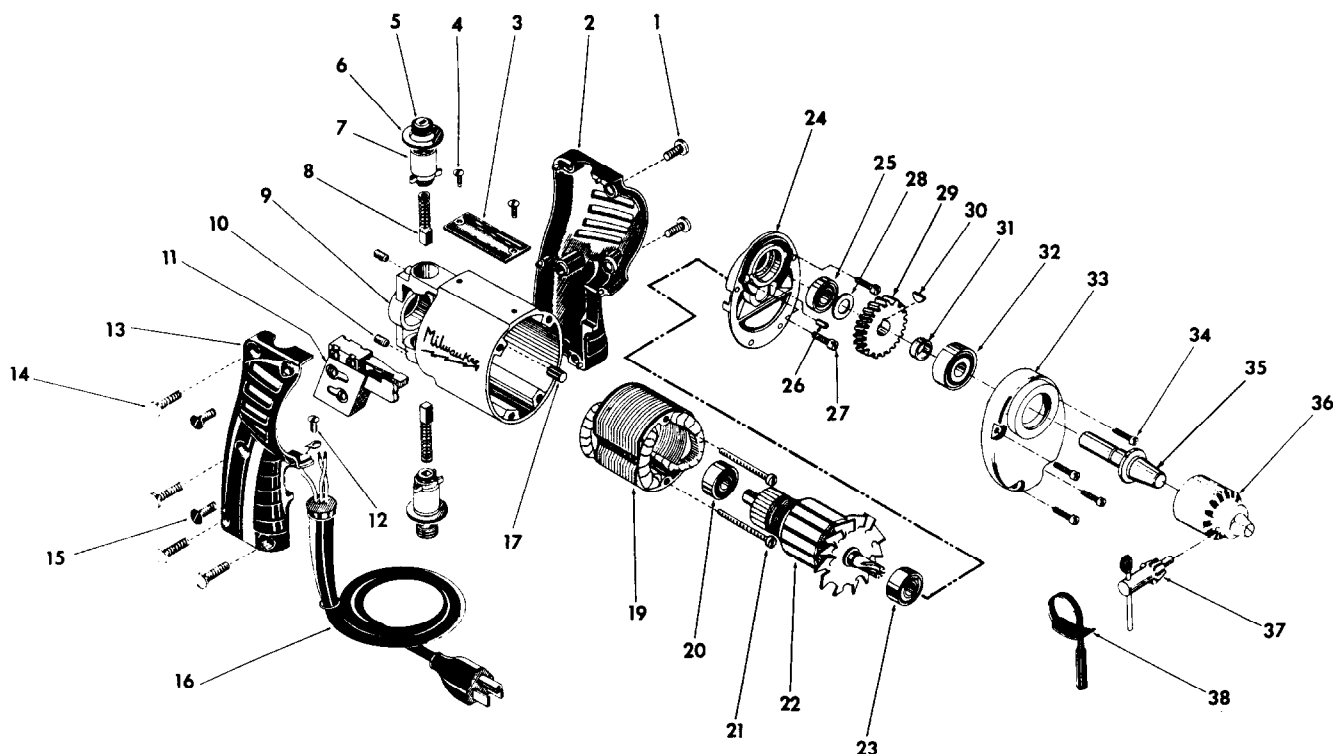
REVISED BUL DATE April '69

Catalog No. 0102-1

Starting Serial No. **428-1001**

WIRING INSTR. **58-01-0650**

Both Model and Serial No. must be furnished to obtain correct parts.



ILLUSTRATED PARTS

FIG.	PART NO.	DESCRIPTION OF PART	NO. REQ.	FIG.	PART NO.	DESCRIPTION OF PART	NO. REQ.
1	06-81-0450	8-32x3/8 Pan Hd. Handle Mtg. Scr.	(2)	20	02-04-0740	Ball Bearing	
2	31-44-0261	L.H. Handle Half		21	06-81-5950	6-32x1-7/8 Fil.Hd. Field Screws	(2)
3	12-98-0600	Name Plate		22	16-22-1280	Armature Assy.	
4	06-77-0625	Name Plate Drive Screws	(2)	23	02-04-0880	Ball Bearing	
5	23-44-0020	Brush Retaining Cap	(2)	24	28-28-0941	Diaphragm	
6	23-86-0070	Insulating Washer	(2)	25	02-08-0375	Ball Bearing	
7	22-22-0251	Brush Holder Assy.	(2)	26	45-30-0070	Ball Bearing Retaining Slug	
8	22-18-0360	Carbon Brush Assy.	(2)	27	06-81-6150	8-32x1/2 Fil.Hd. Sems Diaphragm Scr.	(2)
9	28-50-6091	Motor Housing Assy.(Incl. item 17)		28	45-88-0250	Washer	
10	06-83-2430	10-32x1/4 Brush Hldr.Soc.Hd. Set Scr.(2)		29	32-75-1901	Spindle Gear	
11	23-66-0790	Rev. Speed Control Switch		30	06-42-0400	Woodruff Key	
12	06-81-8625	6-32x1/4 (Bronze) Rd.Hd. Ground Scr.		31	45-36-0641	Spindle Spacer	
13	31-44-0250	R.H. Handle Half		32	02-04-1040	Ball Bearing	
14	06-81-0400	8-32x3/4 Pan Hd. Handle Mtg. Scr.	(4)	33	28-14-1331	Gear Case	
15	06-81-0450	8-32x3/8 Pan Hd. Handle Mtg. Scr.	(2)	34	06-81-6300	8-32x7/8 Fil.Hd. Sems Gear Case Scrs.	(4)
16	22-64-0450	Cord Set		35	38-50-5031	Spindle	
17	45-30-0120	Ball Bearing Ret. Slug		36	48-66-0230	Chuck	
19	18-22-1121	Field		37	48-66-3200	Chuck Key	
				38	48-56-4080	Key Holder	