



# SERVICE PARTS LIST

**BULLETIN NO.**  
**54-06-0355**

SPECIFY CATALOG NO. AND SERIAL NO. WHEN ORDERING PARTS		REVISED BULLETIN	DATE
<b>1/4" T.S.C. REV. HOLE-SHOOTER</b>		54-06-0354	Dec. '99
CATALOG NO. <b>0102-1</b>	STARTING SERIAL NO. <b>428-189500</b>	WIRING INSTRUCTION <b>58-01-0016</b>	

**EXAMPLE:**  
Component Parts (Small #)  
Are Included When Ordering  
The Assembly (Large #).

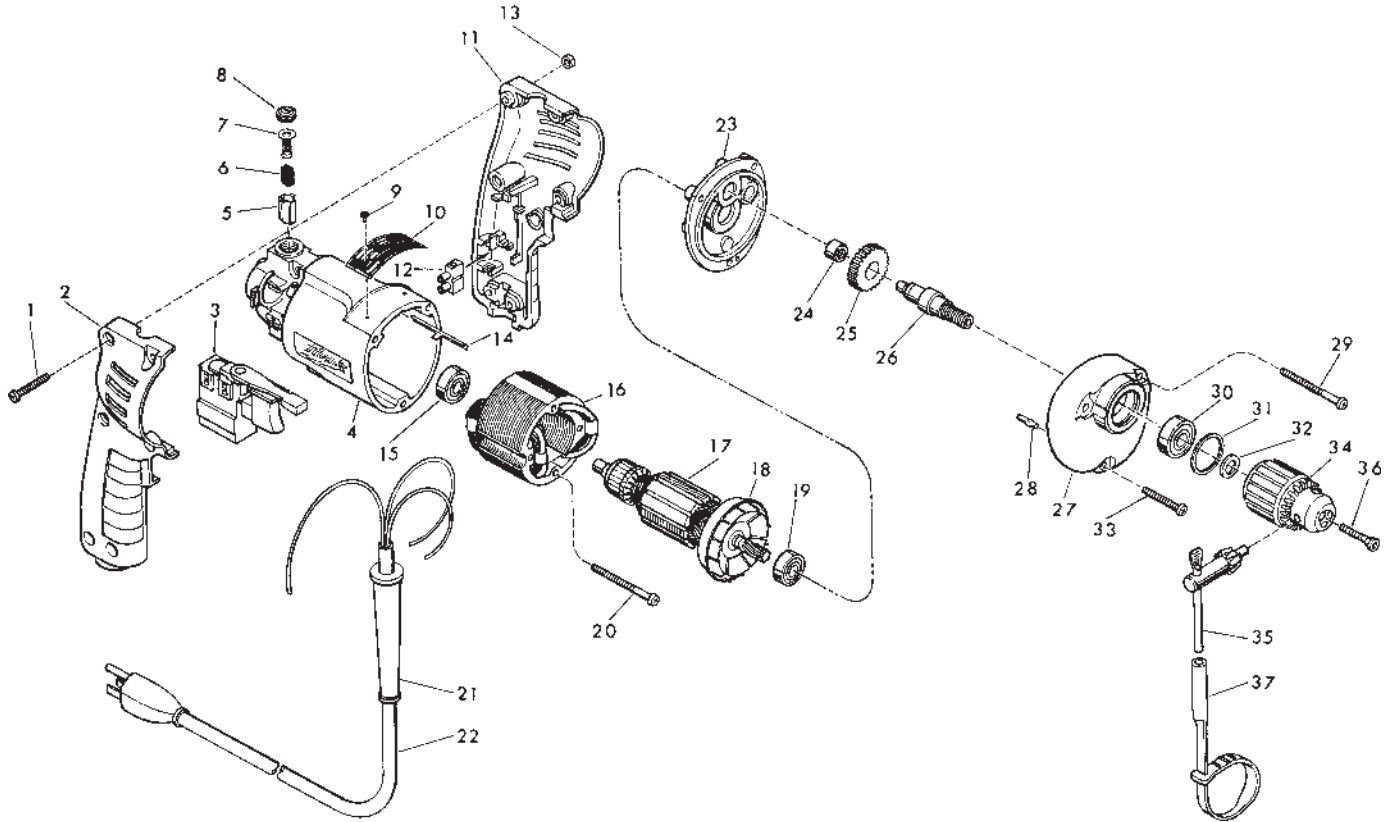


FIG.	PART NO.	DESCRIPTION OF PART	NO. REQ.
★ 1	06-81-0473	8-32 x 1" Pan Hd. Pozi Drive Screw	(6)
★ 2	31-44-1130	Right Handle Half	(1)
★ 3	23-66-1245	Speed Control Switch	(1)
★ 4	31-50-0345	Motor Housing	(1)
★ 5	22-20-0530	Brush Tube	(2)
★ 6	22-16-0275	Carbon Brush	(2)
★ 7	23-52-0210	Brush Spring Assembly	(2)
★ 8	23-44-0120	Brush retaining Screw	(2)
9	06-85-0200	Nameplate Screw	(2)
★ 10	12-99-0420	Nameplate Blank	(1)
★ 11	31-44-1140	Left Handle Half	(1)
★ 12	22-56-0455	Terminal Block	(1)
★ 13	06-55-0835	8-32 Hex Nut	(6)
★ 14	44-60-0530	Ground Pin	(1)
★ 15	02-04-0645	Ball Bearing	(1)
★ 16	18-10-0060	120 Volt Field	(1)
★ 17	16-10-0440	120 Volt Armature	(1)
★ 18	22-84-0760	Fan Assembly	(1)
★ 19	02-04-0851	Ball Bearing	(1)
★ 20	06-95-0145	7-18 x 1-3/4" Pan Hd. Pozi Drive Screw	(2)
★ 21	44-76-0130	Cord Protector	(1)
★ 22	22-64-1120	Cord Set	(1)
★ 23	28-28-1780	Diaphragm	(1)
★ 24	02-50-1620	Needle Bearing	(1)
★ 25	32-75-3260	Spindle Gear	(1)
★ 26	38-50-5670	Spindle	(1)
★ 27	28-14-1830	Gear Case	(1)
★ 28	06-65-0825	1/8 x 1/2" Groove Pin 5	(1)
★ 29	06-95-0175	7-18 x 1-1/2" Pan Hd. Pozi Drive Screw	(2)

FIG.	PART NO.	DESCRIPTION OF PART	NO. REQ.
★ 30	02-04-1020	Ball Bearing	(1)
★ 31	34-80-1400	Retaining Ring	(1)
★ 32	45-88-7940	Chuck Washer	(1)
★ 33	06-95-0137	7-18 x 1-1/8" Pan Hd. Pozi Drive Screw	(1)
★ 34	48-66-0070	1/4" Chuck	(1)
35	48-66-3200	Chuck Key	(1)
★ 36	45-04-0750	Chuck Screw-L.H. Thread	(1)
37	48-66-4080	Key Holder	(1)

**FIG. 27 LUBRICATION**  
1-1/8 Oz. Type "E" Grease, No. 49-08-4122.  
Place In Center Of Gear Case.