



SERVICE PARTS LIST

BUL. 54-06-0351

1/4" REV. SPEED CONTROL DRILL

REVISED BUL
54-06-0350

DATE
Jan., '72

Catalog No. 0102-1

Starting
Serial No. **428-21463**

WIRING INSTR.
58-01-0650

Both Model and Serial No. must be furnished to obtain correct parts.

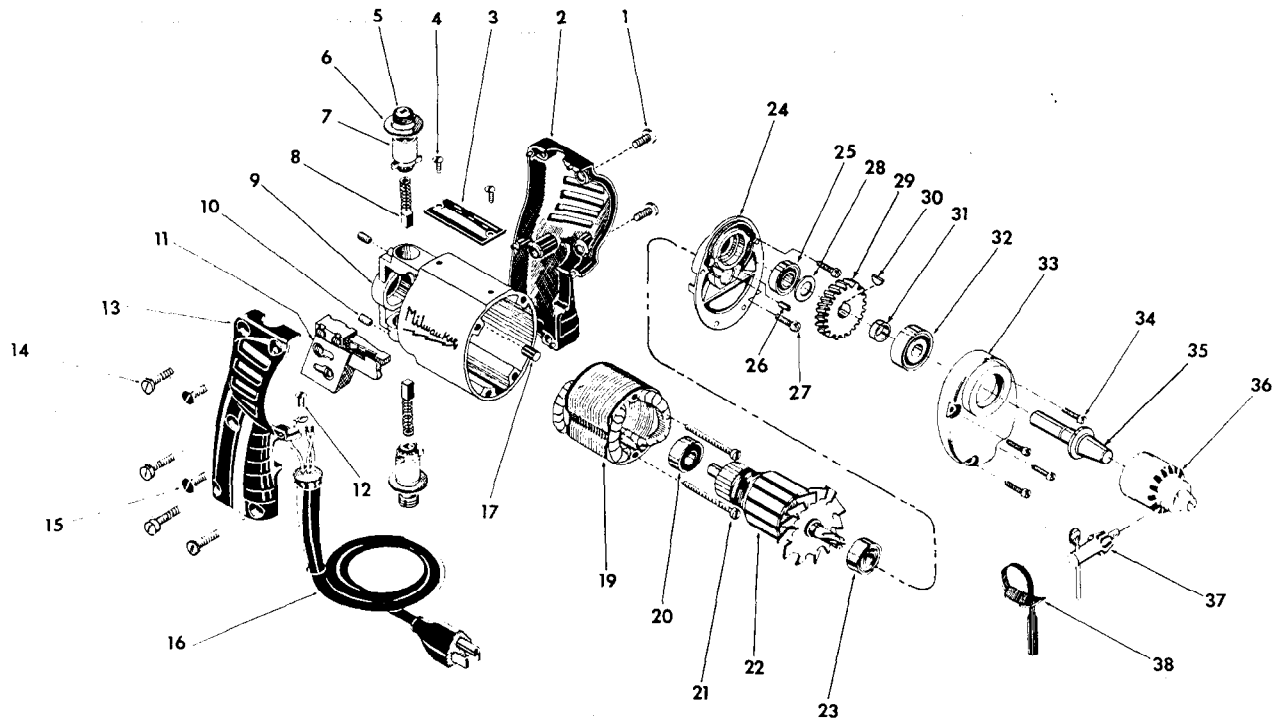


FIG	PART NO.	DESCRIPTION OF PART	NO. REQ.	FIG	PART NO.	DESCRIPTION OF PART	NO. REQ.
1	06-81-0450	8-32x3/8 Pan Hd. Handle Mtg. Scr.	(2)	20	02-04-0740	Ball Bearing	
2	31-44-0261	L.H. Handle Half		21	06-81-5950	6-32x1-7/8 Fir. Hd. Field Screws	(2)
★ 3	12-99-0020	Name Plate		22	16-22-1280	Armature Assy.	
★ 4	06-85-0200	6 x 1/4 Rd. Hd. Type Z Screw	(2)	23	02-04-0880	Ball Bearing	
5	23-44-0020	Brush Retaining Cap	(2)	24	28-28-0941	Diaphragm	
★ 6	23-86-0105	Insulating Washer	(2)	25	02-08-0375	Ball Bearing	
7	22-22-0251	Brush Holder Assy.	(2)	26	45-30-0070	Ball Bearing Retaining Slug	
8	22-18-0360	Carbon Brush Assy.	(2)	★ 27	06-81-6200	8-32 x 5/8 Fil. Hd. Sems	(2)
9	28-50-6091	Motor Housing Assy. (Incl. item 17)		28	45-88-0250	Washer	
10	06-83-2430	10-32x1/4 Brush Hldr Set Screw	(2)	29	32-75-1901	Spindle Gear	
11	23-66-0790	Rev. Speed Control Switch		30	06-42-0400	Woodruff Key	
12	06-81-8625	6-32 x 1/4 Ground Screw		31	45-36-0641	Spindle Spacer	
13	31-44-0250	R.H. Handle Half		32	02-04-1040	Ball Bearing	
14	06-81-0400	8-32x3/4 Pan Hd. Handle Mtg. Scr.	(4)	33	28-14-1331	Gear Case	
15	06-81-0450	8-32x3/8 Pan Hd. Handle Mtg. Scr.	(2)	34	06-81-6300	8-32x7/8 Fil. Hd. Sems Gear Case Scr. (4)	
★ 16	22-64-0660	Cord Set		35	38-50-5031	Spindle	
17	45-30-0120	Ball Bearing Ret. Slug		36	48-66-0230	Chuck	
18	06-97-1700	Lock Washer (for switch)	(6)	37	48-66-3200	Chuck Key	
19	18-22-1121	Field		38	48-66-4080	Key Holder	