



SERVICE PARTS LIST

1/4" REV. SPEED CONTROL DRILL

Catalog No. 0122-1

Starting Serial No. 429-7274

BUL. 54-06-0652

REVISED BUL. 54-06-0651

DATE Mar. '74

WIRING INSTRUCTIONS 58-01-0645

Specify Catalog and Serial No. when ordering parts

0-2000 R.P.M.

FOR 230V TOOL USE:
 22-18-0375 CARBON BRUSH
 18-26-1121 FIELD
 16-26-1251 ARMATURE
 23-66-0793 SWITCH
 22-64-2665 CORD SET

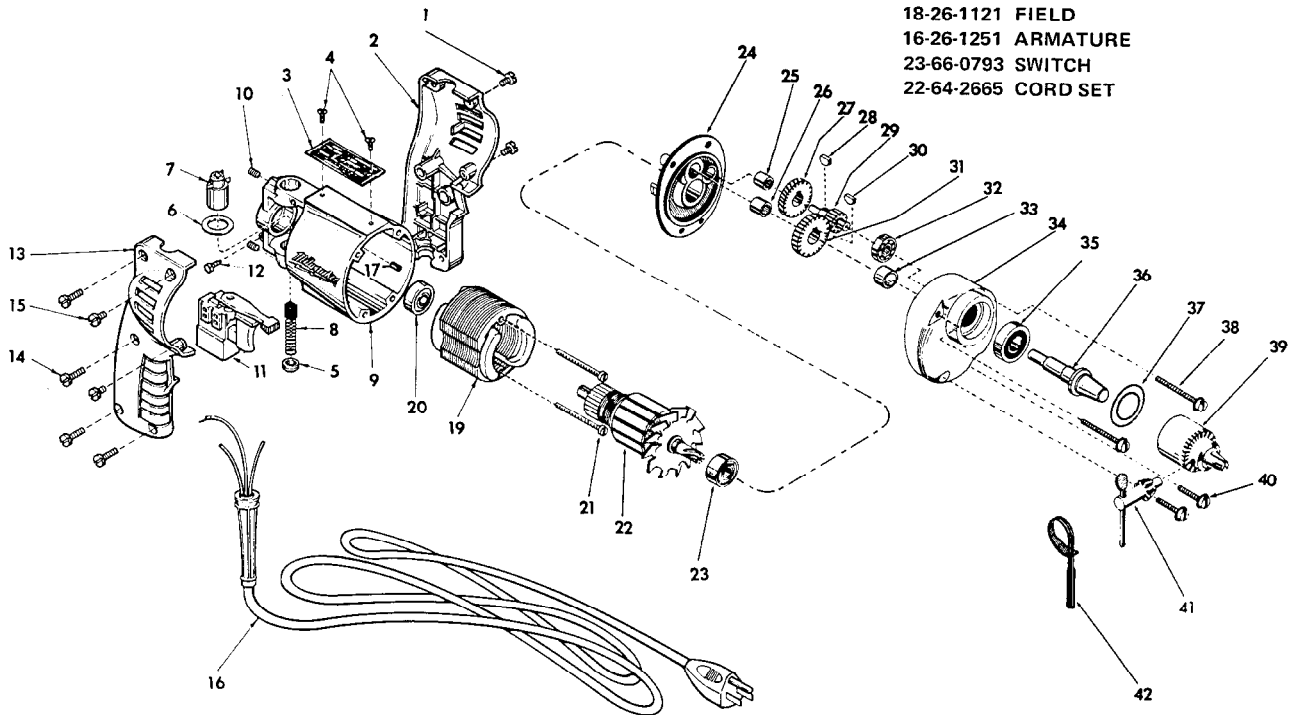


FIG.	PART NO.	DESCRIPTION OF PART	NO. REQ.	FIG.	PART NO.	DESCRIPTION OF PART	NO. REQ.
	1	06-81-0450 8-32x3/8 Pan Hd. Screw	(2)		23	02-04-0880 Ball Bearing	(1)
★	2	31-44-0290 L.H. Handle Half	(1)	24	28-28-0221 Diaphragm	(1)	
	3	12-99-0020 Nameplate Blank	(1)	25	02-50-1210 Needle Bearing	(1)	
	4	06-85-0200 Nameplate Screw	(2)	26	02-50-1640 Needle Bearing	(1)	
	5	23-44-0020 Brush Retaining Cap	(2)	27	32-40-1041 Intermediate Gear	(1)	
★	6	23-86-0105 Insulating Washer	(2)	28	06-42-0400 Woodruff Key	(1)	
	7	22-22-0251 Brush Holder Assy.	(2)	29	36-66-1151 Intermediate Pinion Shaft	(1)	
★	8	22-18-0155 Carbon Brush Assy.	(2)	30	06-42-0400 Woodruff Key	(1)	
	9	28-50-6091 Motor Housing (Incl. Fig. No. 17)	(1)	31	32-75-2731 Spindle Gear	(1)	
	10	06-83-2430 10-32x1/4 Soc. Hd. Set Screw	(2)	32	02-04-0640 Ball Bearing	(1)	
★	11	23-66-0792 Rev. Speed Control Switch	(1)	33	45-36-0651 Spindle Spacer	(1)	
	12	06-81-8625 6-32x1/4 Ground Screw	(1)	34	28-14-0363 Gear Case	(1)	
★	13	31-44-0280 R.H. Handle Half	(1)	35	02-04-1020 Ball Bearing	(1)	
	14	06-81-0400 8-32x3/4 Pan Hd. Screw	(4)	36	38-50-5041 Spindle	(1)	
	15	06-81-0450 8-32x3/8 Pan Hd. Screw	(2)	37	34-80-1400 Retaining Ring	(1)	
★	16	22-64-0665 Cord Set	(1)	★	38	06-81-6575 8-32x1-5/8 Fil. Hd. Sems	(2)
	17	45-30-0120 Ball Bearing Ret. Slug	(1)	39	48-66-0230 Chuck	(1)	
	19	18-22-1121 Field	(1)	★	40	06-81-6350 8-32x1 Fil. Hd. Sems	(2)
	20	02-04-0740 Ball Bearing	(1)	41	48-66-3200 Chuck Key	(1)	
	21	06-81-5950 6-32x1-7/8 Fil. Hd. Field Screw	(2)	42	48-66-4080 Key Holder	(1)	
	22	16-22-1251 Armature Assy.	(1)	★	43	12-98-7081 Caution Plate (Not Shown)	(1)