



SERVICE PARTS LIST

BUL. 54-06-0801

1/4" PISTOL DRILL

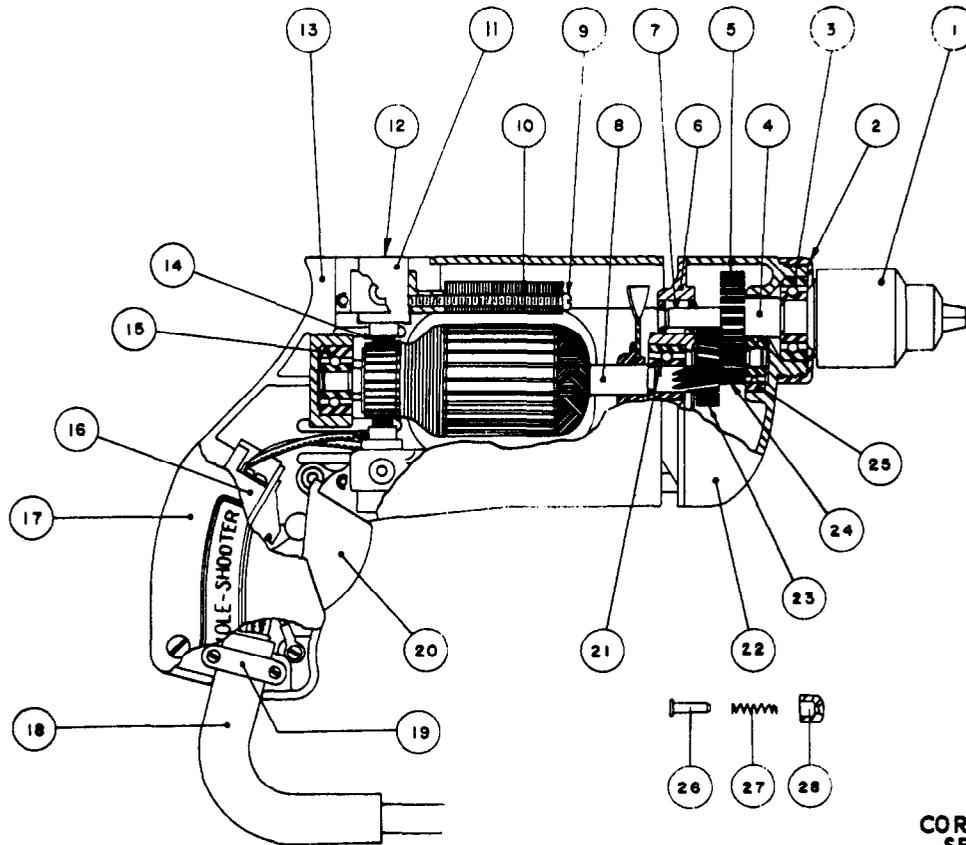
REVISED BUL 691-2 DATE FEB. '68

Catalog No. 0140

Starting Serial No. 91-1260

WIRING INSTR.

Both Model and Serial No. must be furnished to obtain correct parts.



CORRECTS AND SUPERCEDES SERVICE BULLETIN 691-2 DATED 7-21-55

FIG. PART NO. DESCRIPTION OF PART		ILLUSTRATED PARTS		FIG. PART NO. DESCRIPTION OF PART		
1	48-66-0260	Chuck	15	02-04-0740	Ball Bearing	
2	42-52-0060	Bearing Cap	16	23-66-0280	Switch	
3	02-04-1020	Ball Bearing	17	28-20-3001	Handle Cover	
4	38-50-1051	Spindle	18	22-64-0170	Cord Set	
5	32-75-1281	Spindle Gear	19	28-17-0400	Cord Clamp	
6	28-28-0221	Diaphragm	20	28-92-0101	Switch Trigger	
7	02-50-1640	Needle Bearing	21	02-04-0880	Ball Bearing (Pinion End)	
8	16-22-1120	Armature Assembly	22	28-14-0361	Gear Case	
9	06-81-5950	6-32x1-7/8" Fil.Hd. Field Screws	(2)	23	32-40-1041	Intermediate Gear
10	18-22-1030	Field Assembly	24	36-66-1351	Intermediate Pinion Shaft	
11	22-22-0050	Brush Holder Assembly	25	02-04-0640	Ball Bearing	
12	23-44-0020	Brush Retaining Cap	(2)	26	44-70-0071	Trigger Lock Shaft
13	28-50-4441	Motor Housing	27	40-50-1200	Trigger Lock Spring	
14	22-18-0090	Carbon Brush Assemblies	(2)	28	42-42-0061	Trigger Lock Button

PART NO. DESCRIPTION OF PART		MISCELLANEOUS PARTS NOT SHOWN			
06-83-0100	10-32x1/4" Hd. less Slotted Brush Holder Scs.	(2)	06-81-6150	8-32x1/2" Fil.Hd. Sem Cord Clamp Screws	(2)
02-50-1210	Int. Pinion Needle Ball Bearing	(1)	06-81-8625	6-32x1/4" Rd.Hd. Sem Ground Sc.(Brass)	(1)
06-81-6250	8-32x3/4" Fil.Hd. Sem Handle Cover Screws	(2)	06-81-6550	8-32x1-1/2" Fil.Hd. Sems Gear Case Scs.	(2)
06-81-5800	6-32x5/16" Fil.Hd. Sem Switch Mtg. Screw	(1)	06-81-6300	8-32x7/8" Fil.Hd. Sem Gear Case Scs.	(2)
06-42-0400	Woodruff Key	(1)	12-98-0600	Name Plate	(1)
48-03-0010	Attachment Plug Adaptor	(1)	48-66-3200	Chuck Key	(1)
06-81-6200	8-32x5/8" Fil.Hd. Sems Handle Cover Screw	(1)	06-42-0800	Woodruff Key	(1)
06-81-4300	3-48-3/16" Rd.Hd. Name Plate Screws	(2)			