



SERVICE PARTS LIST

BUL. 54-06-1401

1/4" PISTOL DRILL

REVISED BUL 54-06-0401 DATE Aug. '70

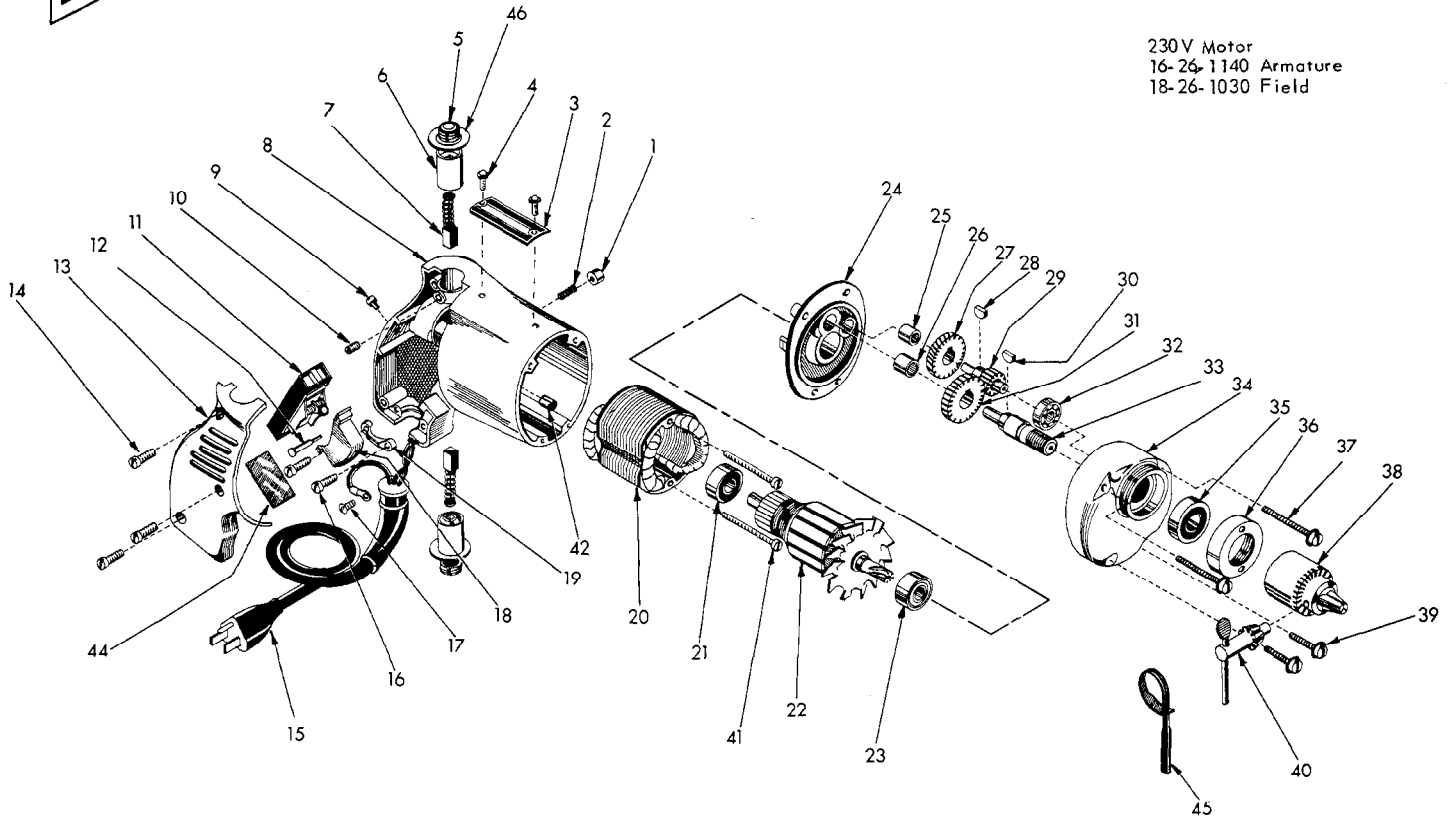
Catalog No. 0190

Starting Serial No. **304-6521**

WIRING INSTR. **58-01-0010**

Both Model and Serial No. must be furnished to obtain correct parts.

230V Motor
16-26-1140 Armature
18-26-1030 Field



| FIG. | PART NO. | DESCRIPTION OF PART | NO. REQ. |
|------|------------|--|----------|
| 1 | 42-42-0061 | Trigger Lock Button | |
| 2 | 40-50-1200 | Trigger Lock Spring | |
| 3 | 12-98-0600 | Name Plate | |
| ★ 4 | 06-85-0200 | Name Plate Screw | (2) |
| 5 | 23-44-0020 | Brush Retaining Cap | (2) |
| 6 | 22-22-0050 | Brush Holder Assy. | (2) |
| 7 | 22-18-0090 | Carbon Brush Assy. | (2) |
| 8 | 28-50-4447 | Motor Housing (Includes 1, 2, 12, 13, 14 & 42) | |
| 9 | 06-81-5800 | 6-32x5/16 Fil. Hd. Sems Switch Mtg. Scr. | |
| ★ 10 | 06-83-2430 | 10-32x1/4 Socket Hd. Br. Hld. Set Scr. | (2) |
| 11 | 23-66-0280 | Switch | |
| | 06-97-1800 | Switch Lock Washers | (4) |
| 12 | 44-70-0071 | Trigger Lock Shaft | |
| 13 | 28-20-3002 | Handle Cover | |
| 14 | 06-81-6150 | 8-32x1/2 Fil. Hd. Sems Handle Cover Scr. | (3) |
| 15 | 22-64-0170 | Cord Set | |
| 16 | 06-81-6150 | 8-32x1/2 Fil. Hd. Sems Cord Clamp Scr. | (2) |
| | 06-81-8625 | Ground Screw | |
| ★ 18 | 31-92-0102 | Switch Trigger | |
| 19 | 28-17-0400 | Cord Clamp | |
| 20 | 18-22-1030 | Field | |
| 21 | 02-04-0740 | Armature Ball Bearing (Comm. End) | |
| 22 | 16-22-1120 | Armature Assy. | |

| FIG. | PART NO. | DESCRIPTION OF PART | NO. REQ. |
|------|------------|---|----------|
| 23 | 02-04-0880 | Armature Ball Bearing (Pinion End) | |
| 24 | 28-28-0221 | Diaphragm | |
| 25 | 02-50-1210 | Needle Bearing | |
| 26 | 02-50-1640 | Needle Bearing | |
| 27 | 32-40-1041 | Intermediate Gear | |
| 28 | 06-42-0400 | No. 201 Woodruff Key | |
| 29 | 36-66-3701 | Intermediate Pinion Shaft | |
| 30 | 06-42-0800 | Woodruff Key | |
| 31 | 32-75-2381 | Spindle Gear | |
| 32 | 02-04-0640 | Intermediate Shaft Ball Bearing | |
| 33 | 38-50-1051 | Spindle | |
| 34 | 28-14-0361 | Gear Case | |
| 35 | 02-04-1020 | Ball Bearing | |
| ★ 36 | 42-52-0060 | Bearing Cap | |
| 37 | 06-81-6550 | 8-32x1 1/2 Fil. Hd. Sems Gear Case Scr. | (2) |
| 38 | 48-66-0260 | Chuck | |
| 39 | 06-81-6300 | 8-32x7/8 Fil. Hd. Sems Gear Case Scr. | (2) |
| 40 | 48-66-3200 | Chuck Key | |
| 41 | 06-81-5950 | 6-32x1-7/8 Fil. Hd. Field Screws | (2) |
| 42 | 45-30-0060 | Ball Bearing Ret. Slug | |
| 44 | 23-16-0265 | Switch Insulator | |
| 45 | 48-66-4080 | Key Holder | |
| 46 | 23-86-0070 | Insulating Washer | (2) |